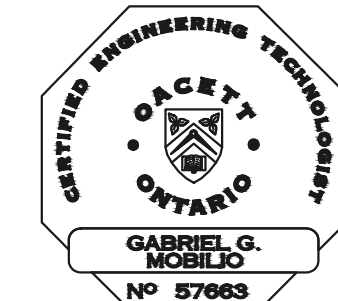
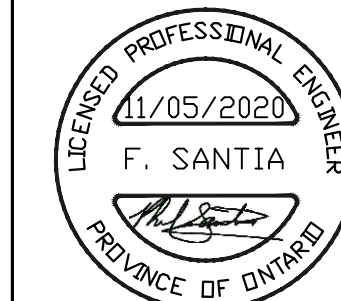


DENISON CHILD CARE

900 MULOCK DRIVE / 605 FERNBANK ROAD
NEWMARKET, ONTARIO

APPLICATION NUMBER:

APPLICATION NUMBER:

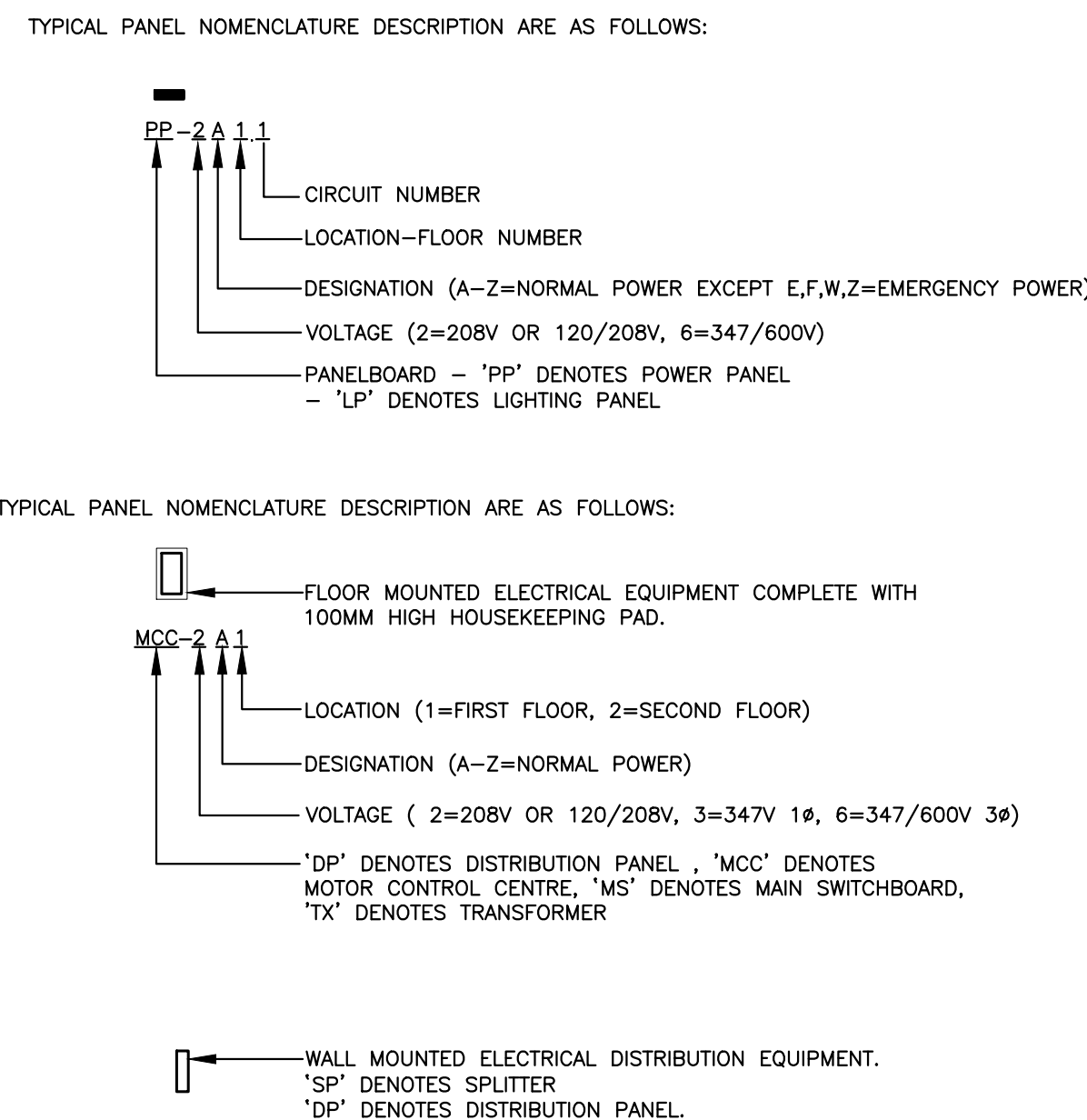


ELECTRICAL LEGEND

SYMBOL	DESCRIPTION	SYMBOL	DESCRIPTION	SYMBOL	DESCRIPTION	SYMBOL	DESCRIPTION
	LIGHTING LED LUMINAIRES. SIZE AS SHOWN ON PLANS. POLE MOUNTED LUMINAIRE. LED LUMINAIRE - WALL MOUNTED LED LUMINAIRE - CEILING MOUNTED OR FLOOR MOUNTED BOLLARDS SWITCHING SINGLE POLE, SINGLE THROW TOGGLE SWITCH ('3' DENOTES 3-WAY, '4' DENOTES 4-WAY, 'PL' DENOTES PILOT LIGHT, 'LV' DENOTES LOW VOLTAGE, 'K' DENOTES KEY OPERATED). DIMMER SWITCH, DIMMER LIGHT SWITCH (600WATT UNLESS OTHER WISE NOTED: 10=1000W, 15=1500W) OCCUPANCY SENSOR - CEILING MOUNTED PHOTOCELL DIMMING CONTROLLER POWER DEVICES CIRCUIT BREAKER FUSED DISCONNECT SWITCH UNFUSED DISCONNECT SWITCH FEEDER POWER TRANSFORMER DIGITAL METERING SYSTEM GROUND FAULT INTERRUPTER UTILITY METERING. PANELBOARD POTENTIAL TRANSFORMER GROUND		15A-125V 1PH-3W GROUNDED DUPLEX RECEPTACLE, WALL MOUNTED. 15A-125V 1PH-3W GROUNDED QUAD RECEPTACLE IN COMMON BOX, WALL MOUNTED. 15A-150V-3W GROUNDED DUPLEX RECEPTACLE MOUNTED ABOVE COUNTER FOR GENERAL POWER CONNECTION. 20A-125V 1PH-3W GROUNDED QUAD RECEPTACLE IN COMMON BOX, WALL MOUNTED. 15A-125V 2P-3W GROUNDED DUPLEX RECEPTACLE, WALL MOUNTED SPLIT WIRED. 15A-125V 2P-3W GROUNDED DUPLEX RECEPTACLE, COUNTER HEIGHT SPLIT WIRED. 15A-125V 1PH-3W ISOLATED GROUNDED DUPLEX RECEPTACLE, WALL MOUNTED. SINGLE RECEPTACLE, WALL MOUNTED. 15A-125V 1PH-3W GROUNDED DUPLEX RECEPTACLE MOUNTED IN FLUSH FLOOR BOX. 15A-125V 1PH-3W GROUNDED QUAD RECEPTACLE MOUNTED IN FLUSH FLOOR BOX. 15A-125V 1PH-3W GROUNDED DUPLEX RECEPTACLE CEILING MOUNTED 15A/20A-125V 1PH-3W GROUNDED DUPLEX RECEPTACLE MOUNTED IN FLUSH FLOOR BOX. 20A-125V 1PH-3W GROUNDED DUPLEX RECEPTACLE 30A-125V 1PH-3W GROUNDED SINGLE RECEPTACLE 50A-125V 1PH-3W GROUNDED SINGLE RECEPTACLE 15A-250V 1PH-3W GROUNDED SINGLE RECEPTACLE 20A-250V 1PH-3W GROUNDED SINGLE RECEPTACLE 30A-250V 1PH-3W GROUNDED SINGLE RECEPTACLE 50A-250V 1PH-3W GROUNDED SINGLE RECEPTACLE POWER DIRECT CONNECTION TO EQUIPMENT AS INDICATED. 1PH CONNECTION TO EQUIPMENT AS INDICATED. 3PH CONNECTION TO EQUIPMENT AS INDICATED. MOTOR STARTER.		LIFE SAFETY SYSTEMS FIRE ALARM MANUAL PULL STATION. CEILING/WALL MOUNTED FIRE ALARM HORN/SSTROBE COMBINATION THERMAL DETECTOR (RATE OF RISE) - CEILING OR WALL MOUNTED SMOKE DETECTOR - CEILING OR WALL MOUNTED FIRE ALARM CONTROL PANEL FIRE ALARM ANNUCIATOR PANEL C/W GRAPHIC EMERGENCY LIGHTING BATTERY UNIT C/W UNIT MOUNTED LED HEADS. EMERGENCY LED DOUBLE HEAD REMOTE EMERGENCY LED SINGLE HEAD REMOTE PICTOGRAM SIGN C/W TWO EMERGENCY BATTERY LED HEADS AND BATTERY UNIT CEILING OR WALL MOUNTED PICTOGRAM LIGHT, ARROW(S) INDICATE DIRECTION FIRE ALARM CONNECTION TO PRESSURE SWITCH C/W ADDRESSABLE INTERFACE MODULE. FIRE ALARM CONNECTION TO FLOW SWITCH C/W ADDRESSABLE INTERFACE MODULE. FIRE ALARM CONNECTION TO SUPERVISED VALVE C/W ADDRESSABLE INTERFACE MODULE. 120V SMOKE/SSTROBE/CO COMBINATION C/W RELAY.		MISCELLANEOUS SYSTEMS (DIV.16 TO PROVIDE EMPTY CONDUITS, PULL WIRES AND OUTLET BACK BOXES ONLY. CABLING AND DEVICES BY SECURITY CONTRACTOR) CARD READER & MOTION SENSOR DOOR RELEASE INTERCOM STATION ('M' DENOTES MASTER, 'S' DENOTES SLAVE) SECURITY SYSTEM KEY PAD SECURITY CAMERA HANDICAPPED DOOR OPENER HANDICAPPED OPERATOR PUSHBUTTON SECURITY DOOR CONTACT LOCATION SECURITY ELECTRIC STRIKE LOCATION WIRELESS ACCESS POINT MISCELLANEOUS LEGEND DENOTES REFER TO NOTE DENOTES REFER TO DETAIL AND DRAWING NUMBER. WT DENOTES WATERTIGHT (CSA ENCLOSURE 4) WP DENOTES WEATHER PROOF (NEMA TYPE 3R) GFI DENOTES GROUND FAULT INTERRUPTER. WG DENOTES WIRE GUARD AFF DENOTES ABOVE FINISHED FLOOR TP DENOTES TAMPERPROOF TS DENOTES T-SLOT 15/20A RECEPTACLE, 120V FR DENOTES FRIDGE WS DENOTES WASHER DR DENOTES DRYER
			15A-125V 1PH-3W GROUNDED DUPLEX RECEPTACLE CEILING MOUNTED 15A/20A-125V 1PH-3W GROUNDED DUPLEX RECEPTACLE MOUNTED IN FLUSH FLOOR BOX. 20A-125V 1PH-3W GROUNDED DUPLEX RECEPTACLE 30A-125V 1PH-3W GROUNDED SINGLE RECEPTACLE 50A-125V 1PH-3W GROUNDED SINGLE RECEPTACLE 15A-250V 1PH-3W GROUNDED SINGLE RECEPTACLE 20A-250V 1PH-3W GROUNDED SINGLE RECEPTACLE 30A-250V 1PH-3W GROUNDED SINGLE RECEPTACLE 50A-250V 1PH-3W GROUNDED SINGLE RECEPTACLE POWER DIRECT CONNECTION TO EQUIPMENT AS INDICATED. 1PH CONNECTION TO EQUIPMENT AS INDICATED. 3PH CONNECTION TO EQUIPMENT AS INDICATED. MOTOR STARTER.	COMMUNICATION SYSTEMS (DIV.16 TO PROVIDE EMPTY CONDUITS, PULL WIRES AND OUTLET BACK BOXES ONLY. CABLING AND DEVICES BY TELECOMMUNICATION CONTRACTOR) TELEPHONE WALL OUTLET C/W 3/4" HOME RUN TO NEAREST TELECOM ROOM DATA OUTLET - WALL, ROOF OR CEILING MOUNTED C/W 3/4" HOME RUN TO NEAREST CABLE TRAY. MAXIMUM 4 DROPS PER WALLBOX - IF MORE THAN CONTRACTOR TO PROVIDE MULTI-GANG BOX AND FACEPLATE TO ACCOMMODATE AS REQUIRED. COMBINATION DATA & TELEPHONE OUTLET - WALL MOUNTED C/W 3/4" HOME RUN TO NEAREST CABLE TRAY. MAXIMUM 4 DROPS PER WALLBOX - IF MORE THAN CONTRACTOR TO PROVIDE MULTI-GANG BOX AND FACEPLATE TO ACCOMMODATE AS REQUIRED. COMBINATION DATA AND TELEPHONE OUTLET - FLOOR MOUNTED C/W 3/4" HOME RUN TO NEAREST TELECOM ROOM CABLE TV OUTLET - CEILING OR WALL MOUNTED C/W 3/4" HOME RUN TO NEAREST TELECOM ROOM			

LUMINAIRE SCHEDULE				
TYPE	LAMP	DESCRIPTION	MANUFACTURER	EQUAL MANUFACTURER
B1	31W LED, 2335 LUMENS, 4000K, 70+CRI,	42" HEIGHT BOLLARD C/W ALL MOUNTING ACCESSORIES, NIGHT SKY COMPLIANT, TO OPERATE AT 120V. ASYMMETRICAL DISTRIBUTION. COORDINATE WITH ARCHITECT FOR FINISH OF FIXTURE.	LITHONIA LIGHTING: CAT# DSXB-LED-12C-700-40K-ASY	KIM LIGHTING: VRB2 STANPRO: BOH-L
D1	20W LED, 1500 LUMENS, 3500K,	4" DIA ROUND RECESSED LED DOWNLIGHT C/W ALL MOUNTING ACCESSORIES FOR DRYWALL CEILING. OPERATE AT 120V. COORDINATE WITH ARCHITECT FOR FIXTURE & TRIM FINISH. DIMMABLE.	PRESCOLITE: CAT# LTR-4RD-H-SL15L-DM1_LTR-4RD-T-SLJ5K8WD	LITHONIA LIGHTING: LDN4 STANPRO: REC4-L
FA1	40W LED, 5200 LUMENS, 3500K,	1'x4" RECESSED LED FLAT PANEL C/W ALL MOUNTING ACCESSORIES FOR DRYWALL CEILING. OPERATE AT 120V. DIMMABLE.	EVALUX: CAT# PNLP-14G-40W-35K-MV3	LITHONIA LIGHTING: CPANL LED STANPRO: L3PNL
FA2	45W LED, 6100 LUMENS, 3500K,	2'x4" RECESSED LED FLAT PANEL C/W ALL MOUNTING ACCESSORIES FOR DRYWALL CEILING. OPERATE AT 120V. DIMMABLE.	EVALUX: CAT# PNLP-24G-45W-35K-MV3	LITHONIA LIGHTING: CPANL LED STANPRO: L3PNL
FA3	50W LED, 6000 LUMENS, 3500K,	4" SURFACE MOUNTED LED STRIP LIGHT C/W LENS & ALL MOUNTING ACCESSORIES FOR DRYWALL CEILING. OPERATE AT 120V.	COLUMBIA LIGHTING: CAT# MPS-4-35-HL	LITHONIA LIGHTING: ZL1D STANPRO: L2STL
L1	50W LED, 6000 LUMENS, 4000K,	EXTERIOR WALL MOUNTED LED FIXTURE C/W ALL MOUNTING ACCESSORIES. TO BE MOUNTED AT 2.5M. COORDINATE WITH ELECTRICAL SITE PLAN & ARCHITECTURAL ELEVATION DRAWINGS FOR EXACT LOCATION OF FIXTURE. OPERATE AT 120V. FORWARD THROW DISTRIBUTION. FINISH BY ARCHITECT.	LITHONIA LIGHTING: CAT# WST LED-P3-40K-VF-120	AIMLITE: W162-L STANPRO: WP2-L
L2	50W LED, 6000 LUMENS, 4000K,	EXTERIOR WALL MOUNTED LED FIXTURE C/W ALL MOUNTING ACCESSORIES. TO BE MOUNTED AT 2.5M. COORDINATE WITH ELECTRICAL SITE PLAN & ARCHITECTURAL ELEVATION DRAWINGS FOR EXACT LOCATION OF FIXTURE. OPERATE AT 120V. WIDE DISTRIBUTION. FINISH BY ARCHITECT.	LITHONIA LIGHTING: CAT# WST LED-P3-40K-VW-120	AIMLITE: W162-L STANPRO: WP2-L
L3	13W LED, 1000 LUMENS, 4000K, 80CRI	4" DIA ROUND RECESSED LED DOWNLIGHT C/W ALL MOUNTING ACCESSORIES FOR CANOPY AND OPERATE AT 120V. WET LOCATION. COORDINATE WITH ARCHITECT FOR FIXTURE & TRIM FINISH.	LITHONIA LIGHTING: CAT# LDN4-40/10-L04---120-WET	PRESCOLITE: LTR-4RD STANPRO: REC4-L
XT	ULTRA BRIGHT LED EXIT SIGN, ARROW(S) INDICATE DIRECTION OF EXIT (EGRESS) TRAVEL.	GREEN PICTOGRAM EXIT SIGN, STEEL HOUSING, POWDER COAT FINISHES C860 APPROVED, DIRECTIONAL FACES AS PER DRAWINGS FLOOR PLAN, UNIVERSAL MOUNTING, TO OPERATE AT 120V/12VDC. SINGLE, DOUBLE & UNIVERSAL FACES	BEGHELLI CAT. #SL-RM-SERIES	AIMLITE LUMACELL STANPRO
XC	EMERGENCY BATTERY UNIT C/W DOUBLE LED 7W HEADS AND ULTRA BRIGHT LED PICTOGRAM SIGN	GREEN PICTOGRAM EXIT COMBO, 20 GAUGE STEEL WITH STANDARD WHITE BAKED POWDER COAT FINISH, TO OPERATE AT 120V.	BEGHELLI CAT. #SL-RM-12-72-SERIES UNIVERSAL MOUNTING	AIMLITE LUMACELL STANPRO
BU1	EMERGENCY BATTERY UNIT C/W LED DOUBLE 7W HEADS.	EMERGENCY LIGHTING BATTERY UNIT, 24 VOLT BATTERY WITH PULSE SWITCHING CHARGER, TOP MOUNTED HEADS, CONSTRUCTED WITH 20 GAUGE STEEL CABINET, WHITE FINISH 360W(BU1) TO OPERATE AT 120V.	BEGHELLI CAT. #NV-24-360/550 SERIES	AIMLITE LUMACELL STANPRO
R1	SINGLE 7W LED HEAD	SURFACE MOUNTED SINGLE 7W LED HEAD, TO OPERATE AT 24VDC OR 12VDC.	BEGHELLI CAT. #BTMR1 SERIES	AIMLITE LUMACELL STANPRO
R2	SINGLE 7W LED HEAD	SURFACE MOUNTED DOUBLE 7W LED HEADS, TO OPERATE AT 24VDC OR 12VDC.	BEGHELLI CAT. #BTMR2 SERIES	AIMLITE LUMACELL STANPRO

PANEL AND CIRCUIT NUMBER DESIGNATION



ELECTRICAL DRAWING LIST

DWG No.	DESCRIPTION
E0.0	ELECTRICAL LEGEND, LUMINAIRE SCHEDULE & DRAWING LIST
E0.1	ELECTRICAL SPECIFICATION
E1.0	ELECTRICAL SITE PLAN
E1.1	ELECTRICAL SITE PLAN DETAILS
E2.0	ELECTRICAL GROUND FLOOR PLAN
E2.1	ELECTRICAL ROOF PLAN
E3.0	ELECTRICAL DISTRIBUTION
E3.1	ELECTRICAL DETAILS

REVISIONS

NO.	DESCRIPTION	DATE	BY
1			
2			
3			
4			
5			
6			
7			
8			
9			
10			

SUBMITTALS

NO.	DESCRIPTION	DATE	BY
1	ISSUED FOR COORDINATION	2020.04.17	FC
2	ISSUED FOR PERMIT	2020.04.17	FC
3	ISSUED FOR TENDER	2020.05.29	FC
4	ISSUED TO ESA	2020.06.01	FC
5	RE-ISSUED FOR PERMIT	2020.06.26	FC
6	RE-ISSUED FOR PERMIT	2020.08.12	FC
7	ISSUED FOR PERMIT REVISIONS	2020.11.05	FC

NORTH: TRUE NORTH, PROJECT NORTH

STAMP:

CONSULTING ENGINEERS LIGHTING - ELECTRICAL
595 CITYVIEW BLVD., SUITE 204/205
VAUGHAN, ONTARIO, CANADA L4H 3M7
Tel: (905) 417-8881 Fax: (905) 417-8882
www.e-lumen.ca

Informational Inc.

219031 - DENISON DAYCARE CENTRE

900 MULOCK DRIVE / 605 FERNBANK ROAD, NEWMARKET, ONTARIO

ELECTRICAL LEGEND

2020.02.19

Scale: N.T.S. Drawn By: FC Checked By: FC
Printed: FC

E0.0

19-247

APPLICATION NUMBER:

APPLICATION NUMBER:



1. CODES & STANDARDS

1.1. COMPLETE THE INSTALLATION OF THE WORK IN ACCORDANCE WITH THE LATEST EDITIONS OF THE ONTARIO BUILDING CODE, ONTARIO ELECTRICAL SAFETY CODE, C.S.A. STANDARDS, U.L.C., N.F.P.A., O.H.S.A. AND OTHER CODES, AS REQUIRED. COMPLY WITH ELECTRICAL AND BUILDING CODE BULLETINS IN FORCE AT TIME OF BID SUBMISSION. WHILE NOT IDENTIFIED AND SPECIFIED BY NUMBER IN THIS DIVISION, THEY ARE TO BE CONSIDERED AS FORMING PART OF RELATED STANDARDS. ALSO, ALL ELECTRICAL WORK SHALL COMPLY WITH LANDLORD'S REQUIREMENTS AND BASE BUILDING STANDARDS.

2. EXISTING CONDITIONS

2.1. VISIT THE SITE AND EXAMINE THE EXISTING CONDITIONS AFFECTING THE WORK OF THIS DIVISION. NO CLAIM FOR EXTRA PAYMENT SHALL BE MADE FOR EXTRA WORK MADE NECESSARY BY CIRCUMSTANCES ENCOUNTERED DUE TO CONDITIONS WHICH WERE VISIBLE UPON, OR REASONABLY INFERRABLE FROM AN EXAMINATION OF THE SITE PRIOR TO SUBMISSION OF THE BID. THIS INCLUDES THE EXISTING SERVICES ABOVE CEILING.

3. DEFINITIONS

3.1. WHEREVER THE WORDS "PROVIDE" OR "SUPPLY AND INSTALL", ARE USED, IT SHALL BE UNDERSTOOD TO MEAN "PROVIDE AND INSTALL, INCLUSIVE OF ALL LABOUR, MATERIALS, INSTALLATION, TESTING, AND CONNECTIONS" FOR THE ITEM TO WHICH IT REFERENCES.

4. MATERIALS AND EQUIPMENT

4.1. ALL MATERIALS AND EQUIPMENT SHALL BE NEW, C.S.A. CERTIFIED AND MANUFACTURED TO THE STANDARDS SPECIFIED.

5. PERMITS AND FEES

5.1. THE ELECTRICAL CONTRACTOR SHALL ACT AS THE OWNER'S AGENT IN ACCORDANCE WITH SECTION 2 OF THE O.E.S.C. AND SHALL IMMEDIATELY UPON AWARD OF CONTRACT, SUBMIT TO THE LOCAL ELECTRICAL INSPECTION DEPARTMENT, THE NECESSARY NUMBER OF DOCUMENTS FOR EXAMINATION, SPECIAL INSPECTION AND APPROVAL, PRIOR TO THE COMMENCEMENT OF THE WORK, AND PAY ALL COSTS AND ASSOCIATED FEES. IF REQUIRED, PREPARE ANY ADDITIONAL DRAWINGS/DOCUMENTS REQUIRED BY THE AUTHORITY.

6. INSURANCE

6.1. OBTAIN AND MAINTAIN INSURANCE TO PROTECT THE LANDLORD, TENANT AND TRADES FROM ALL POSSIBLE CLAIMS. SUBMIT WITH BID FOR AN AMOUNT ACCEPTABLE TO LANDLORD AND TENANT.

7. CONTRACT DOCUMENTS

7.1. THE DRAWINGS FOR THE ELECTRICAL WORK ARE DIAGRAMMATIC PERFORMANCE DRAWINGS ONLY, INTENDED TO CONVEY THE SCOPE OF WORK AND INDICATE THE GENERAL ARRANGEMENT AND APPROXIMATE SIZE AND LOCATION OF ELECTRICAL EQUIPMENT. THE DRAWINGS DO NOT INTEND TO SHOW ARCHITECTURAL, INTERIOR DESIGN, MECHANICAL, STRUCTURAL OR BASE BUILDING DETAILS. BE RESPONSIBLE FOR A THOROUGH KNOWLEDGE OF SAME BEFORE PROCEEDING WITH THE WORK.

8. INTENT

8.1. IT IS THE INTENT OF THESE DRAWINGS AND SPECIFICATIONS THAT THE CONTRACTOR PROVIDES COMPLETE AND OPERATIONAL SYSTEMS AS REQUIRED, WHERE DIFFERENCES OCCUR, THE MAXIMUM CONDITION SHALL GOVERN.

9. SHOP DRAWINGS

9.1. SUBMIT FOUR (4) COPIES OF SHOP DRAWINGS OF ALL SPECIFIED EQUIPMENT FOR REVIEW AND RECORDS BEFORE COMMENCEMENT OF WORK.

10. INSERTS, HANGERS AND SLEEVES

10.1. PROVIDE HANGERS, INSERTS, SLEEVES AND SUPPORTS AS REQUIRED.

11. CUTTING AND PATCHING

11.1. ALL CUTTING AND PATCHING REQUIRED TO THE EXISTING BUILDING STRUCTURE FOR THE WORK SHALL BE INCLUDED UNDER THIS CONTRACT AND BE ACCEPTABLE TO THE LANDLORD. OBTAIN WRITTEN APPROVAL FROM LANDLORD BEFORE ANY CUTTING IS CARRIED OUT.

12. LOCATION OF OUTLETS

12.1 REFER TO DESIGN CONSULTANT'S/ARCHITECT'S DRAWINGS FOR EXACT LOCATIONS OF ALL LIGHTING FIXTURES AND WIRING DEVICES.

13. PLYWOOD

13.1 PROVIDE ALL PLYWOOD BACKBOARDS REQUIRED FOR THE WORK OF THIS DIVISION. PLYWOOD BACKBOARDS SHALL BE 21MM (3/4") THICK, OF HIGHEST QUALITY FIRE RETARDANT FIR. REFER TO DRAWINGS FOR SIZE, PRIME AND PAINT BACKBOARDS WITH FIRE RETARDANT PAINT EQUAL TO CGSB SPEC. #1-GP-151M, OF A COLOUR AS SELECTED BY THE DESIGN CONSULTANT/ARCHITECT.

14. ACCESS DOORS

14.1 WHEREVER ANY BASE BUILDING EQUIPMENT REQUIRES ACCESSIBILITY, MAINTENANCE OR ADJUSTMENT, PROVIDE ACCESS DOORS APPROVED BY DESIGN CONSULTANT/ARCHITECT AND LANDLORD. ARRANGE FOR ITS INSTALLATION BY THE DIVISION IN WHOSE WORK IT OCCURS.

15. CORE DRILLING

15.1 BEFORE CORE DRILLING FLOOR SLAB OR STRUCTURAL WALLS, X-RAY SLAB OR WALLS AND HAVE THE LOCATIONS ACCEPTED BY THE LANDLORD IN WRITING.

16. NOISE AND VIBRATION

16.1 ELECTRICAL EQUIPMENT IS TO OPERATE WITHOUT OBJECTIONABLE NOISE OR VIBRATION. IF, IN THE OPINION OF THE CONSULTANT, THE EQUIPMENT OPERATES WITH EXCESSIVE NOISE OR VIBRATION, THEN THE EQUIPMENT MUST BE REPLACED OR NOISE OR VIBRATION ELIMINATED.

17. TENANT'S EQUIPMENT

17.1 WHERE SPECIFIED, INSTALL ALL EQUIPMENT PROVIDED BY THE TENANT. RECEIVE, STORE AND INSTALL EQUIPMENT AND ACCEPT FULL RESPONSIBILITY FOR ITS CORRECT OPERATION. PROVIDE CONDUIT, WIRE, BOXES, SWITCHES, OUTLETS, DEVICES, FLEX CONNECTIONS, ETC., AS REQUIRED.

18. WORK IN NEW AND RENOVATED AREAS

18.1 NOT USED

19. INTERRUPTION OF SERVICES

19.1 INTERRUPTION OF ELECTRICAL SERVICE TO ANY PART OF THE BUILDING SHALL OCCUR ONLY BY PER-ARRANGEMENT WITH AND AT TIMES SUITABLE TO THE LANDLORD.

20. IDENTIFICATION

20.1 PROVIDE LAMACOID NAMEPLATES ON ALL PANELS; DISCONNECT SWITCHES, SPLITTERS, ETC., TO MATCH BASE BUILDING. NAMEPLATES SHALL BE MECHANICALLY ATTACHED TO EQUIPMENT BY MEANS OF RIVETS OR SELF TAPPING SCREWS.

21. VALUATION OF CHANGES

21.1 PROVIDE COMPLETE BREAKDOWN OF MATERIAL, LABOUR, OVERHEAD, PROFIT, ETC., WHEN SUBMITTING QUOTATIONS FOR CHANGE NOTICES ON THIS PROJECT.

22. ENGINEER'S FINAL INSPECTION

22.1 FINAL INSPECTION IS IMPERATIVE. PRIOR TO CLOSING OF CEILINGS, THIS CONTRACTOR SHALL CONTACT E-LUMEN INTERNATIONAL INC. (905) 265-8900 AND THE LANDLORD'S REPRESENTATIVE TO PERFORM A FINAL INSPECTION WHEN CEILING TILES HAVE BEEN INSTALLED IT WILL BE NECESSARY FOR THE CONTRACTOR TO REMOVE PORTIONS FOR INSPECTION.

23. COMPLETION OF CONTRACT

23.1 ALL EQUIPMENT MUST BE CLEANED AND TESTED BEFORE FINAL ACCEPTANCE BY CONSULTANT.

24. AS-BUILT DRAWINGS

24.1 AT THE COMPLETION OF WORK AND BEFORE FINAL ACCEPTANCE, PROVIDE AS-BUILT DRAWINGS OF THE INSTALLATION IN AUTOCAD RELEASE 2000 FORMAT. AN ELECTRONIC COPY (AUTOCAD FORMAT) OF ALL DRAWINGS WILL BE PROVIDED TO THE ELECTRICAL CONTRACTOR BY THE CONSULTANT AT NO COST.

25. OPERATION AND MAINTENANCE MANUALS

25.1 PROVIDE 2 (TWO) SETS OF OPERATION AND MAINTENANCE MANUALS SUBMITTED IN HARD COVER 3-RING BINDERS. INCLUDE THE FOLLOWING INFORMATION IN THE OPERATIONS AND MAINTENANCE MANUALS:

MATERIALS AND METHODS

1. CONDUITS AND CONDUIT FITTINGS

1.1 PROVIDE ALL CONDUIT UP TO AND INCLUDING 103MM (4") SIZE, AS EMT THIN WALL WITH STEEL SET SCREW TYPE FITTINGS AND WEATHERPROOF CONNECTORS WITH "O" RINGS IN SPRINKLERED BUILDINGS. BUSHINGS AND CONNECTORS TO BE C/W INSULATED THROAT.

2. SPLITTERS, JUNCTION BOXES AND PULL BOXES

2.1 SPLITTERS SHALL HAVE SHEET STEEL ENCLOSURE, WITH WELDED CORNERS AND FORMED HINGED COVER SUITABLE FOR LOCKING IN CLOSED POSITION. CONNECTION BARS ARE TO MATCH REQUIRED SIZE AND NUMBER OF INCOMING AND OUTGOING CONDUCTORS AS INDICATED.

3. OUTLET BOXES

3.1 OUTLET BOXES SHALL BE ELECTRO-GALVANIZED STEEL, SIZED AS REQUIRED BY CODE.

4. GROUNDING

4.1 GROUND ALL EQUIPMENT IN ACCORDANCE WITH LATEST EDITION OF THE ELECTRICAL SAFETY CODE. PROVIDE SEPARATE GREEN INSULATED GROUND CONDUCTOR IN EVERY CONDUIT TO ALL DEVICES, LUMINAIRES AND FEEDERS (PANELBOARDS, SPLITTERS, DISCONNECT SWITCHES, ETC.).

5. WIRE AND CABLE

5.1 ALL WIRE AND CABLE SHALL BE COPPER, MINIMUM 12 GAUGE, NO. 12 AND NO. 10 SOLID, NO. 8 AND LARGER STRANDED, WITH RW90 INSULATION, 600VOLT RATING.

6. LOCAL SWITCHES

6.1 PROVIDE SPECIFICATION GRADE LOCAL 20A, 120 VOLT SWITCHES, DECORA TYPE WHITE WITH WHITE MATCHING COVERPLATES: - P&S #DECORA SERIES C/W SCREWLESS FACEPLATES

7. RECEPTACLES

7.1 PROVIDE SPECIFICATION AND HOSPITAL GRADE (AS NOTED) 15A, 120 VOLT, "U" GROUND RECEPTACLES, DUPLEX TYPE WHITE WITH WHITE MATCHING COVERPLATES: OR COLOR AS PER CLIENT

8. LIGHTING CONTROL DIMMING SYSTEM

8.1 SYSTEM SHALL CONSIST OF FACTORY PRE-ASSEMBLED DIMMING AND SWITCHING PANELS, CENTRALIZED PRESET LIGHTING CONTROL(S), LOW VOLTAGE WALLSTATIONS AND/OR CONTROL INTERFACES, AND SOLID-STATE HIGH FREQUENCY FLUORESCENT DIMMING BALLAST (WHERE APPLICABLE). THE MANUFACTURER SHALL BE LUTRON ELECTRONICS CO., INC. THE LIGHTING CONTROL SYSTEM SHALL PROVIDE SHADE CONTROL CAPABILITY (WHERE APPLICABLE). ADDITIONAL ITEMS MAY ALSO BE REQUIRED AND ARE DESCRIBED HEREIN AND/OR SHOWN ON THE DRAWINGS.

9. MECHANICAL TRADE WIRING

9.1 UNLESS OTHERWISE NOTED, ALL STARTERS AND CONTROL WIRING TO BE PROVIDED BY DIVISION 15. DIVISION 16 TO RECEIVE, INSTALL STARTERS AND PROVIDE ALL POWER WIRING AND REQUIRED ISOLATING DISCONNECT SWITCHES.

10. LUMINAIRES

10.1 PROVIDE ALL LUMINAIRES AS SHOWN ON THE DRAWINGS AND AS SPECIFIED IN THE LUMINAIRE SCHEDULE.

11. SWITCHBOARDS AND PANEL BOARDS

11.1 PROVIDE ALL THE NECESSARY BREAKERS C/W ACCESSORIES IN THE EXISTING PANEL TO SERVE ALL THE FEEDERS MODIFY OR ADD/EXTEND ENCLOSURES IF REQUIRED CONTRACTOR TO REVIEW SITE CONDITION AND INCLUDE ALL NECESSARY ACCESSORIES TO RELOCATE THE EXISTING PANEL IF REQUIRED.

12. MEGGERING AND BALANCING

12.1 MEGGER ALL POWER CIRCUIT FEEDERS. IF GROUND RESISTANCE ON ANY CIRCUIT IS LESS THAN THAT REQUIRED BY CSA OR OTHER GOVERNING REGULATIONS, SUCH CIRCUITS ARE TO BE CONSIDERED DEFECTIVE AND MUST BE REPLACED.

13. SERVICE EQUIPMENT

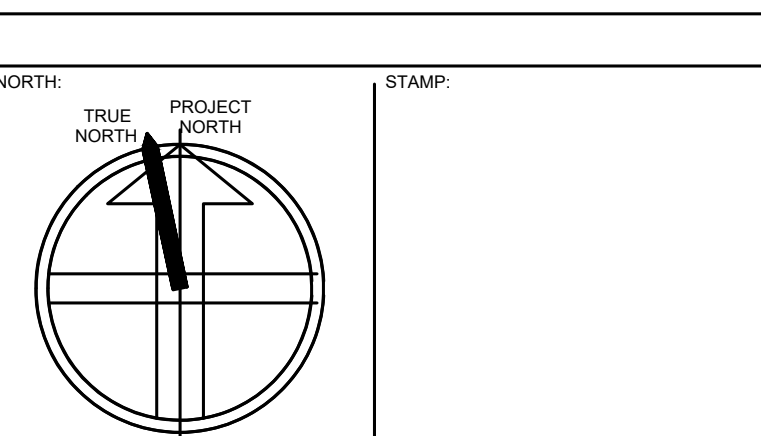
13.1 ALL NEW PANELBOARDS, DISCONNECT SWITCHES, METERS, ETC., TO BE ONE OF THE FOLLOWING MANUFACTURER'S PROVIDED: SCHNEIDER, CUTLER-HAMMER AND SIEMENS.

15. LIFE SAFETY SYSTEM

15.1 PROVIDE COST VERIFICATION AND TESTING OF THE FIRE ALARM LIFE SYSTEM. PROVIDE VERIFICATION CERTIFICATE TO OWNER.

Table with 3 columns: REVISIONS, Description, Date. Contains 10 revision entries.

Table with 3 columns: SUBMITTALS, Description, Date. Contains 10 submittal entries.



CONSULTING ENGINEERS LIGHTING ELECTRICAL 505 CITYVIEW BLVD. SUITE 204/205 VAUGHAN, ONTARIO, CANADA L4R 3M7 Tel: (905) 417-8881 Fax: (905) 417-8882 www.e-lumen.ca

219031 - DENISON DAYCARE CENTRE

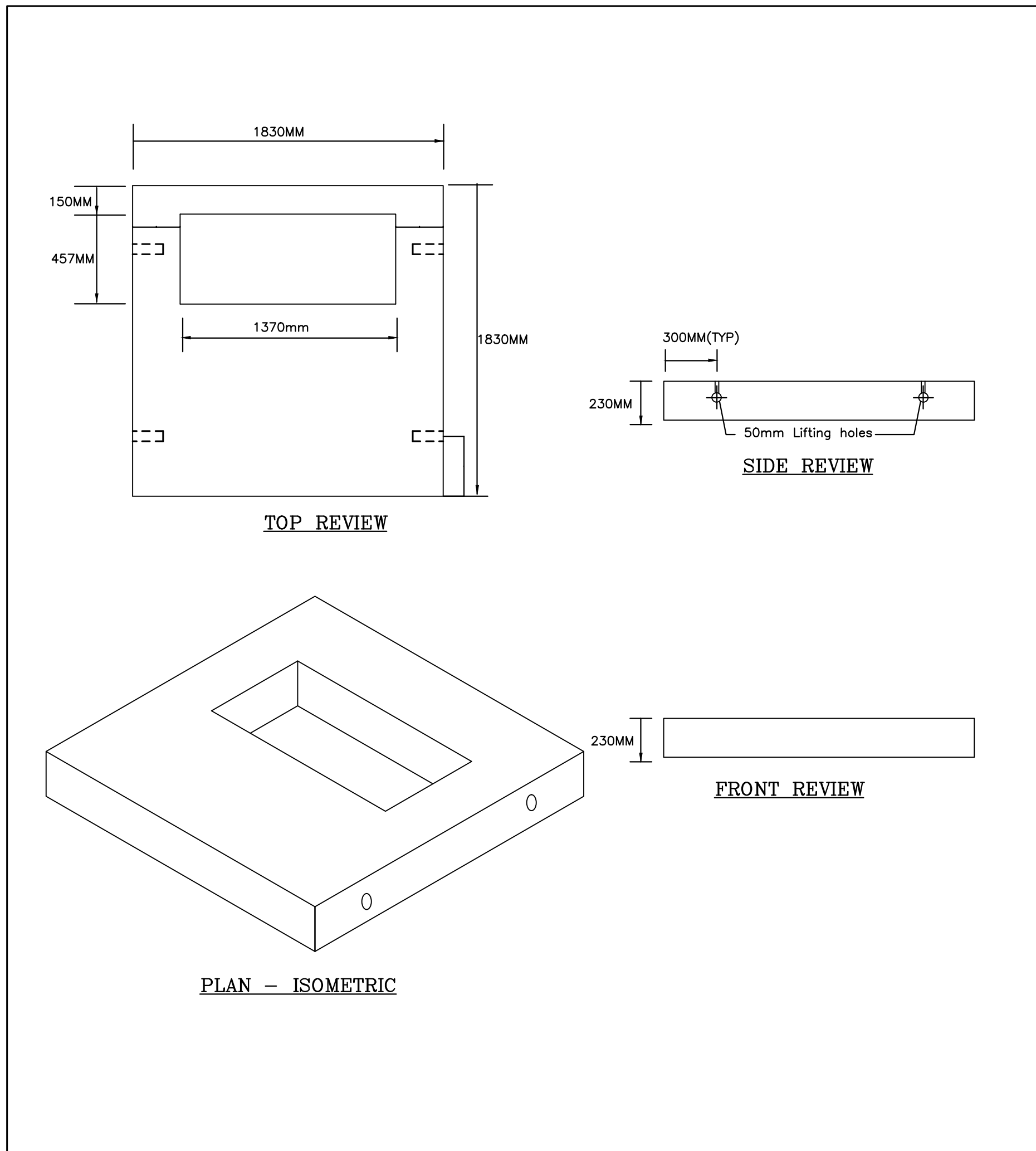
900 MULOCK DRIVE / 605 FERNBANK ROAD, NEWMARKET, ONTARIO

ELECTRICAL SPECIFICATIONS

2020.02.19

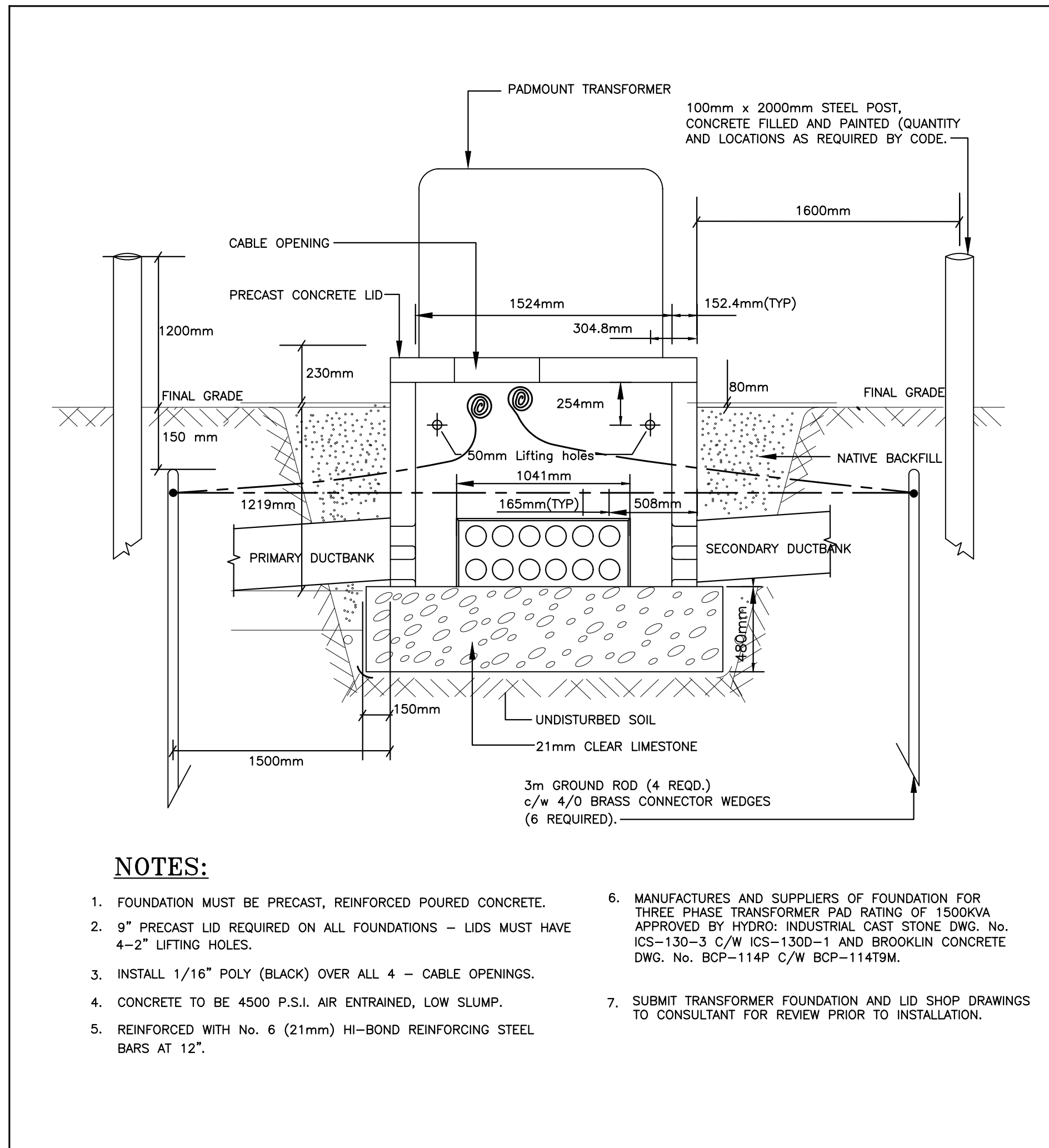
Table with 3 columns: Scale, Drawn By, Checked By. Values: N.T.S., FC, FC.

E0.1



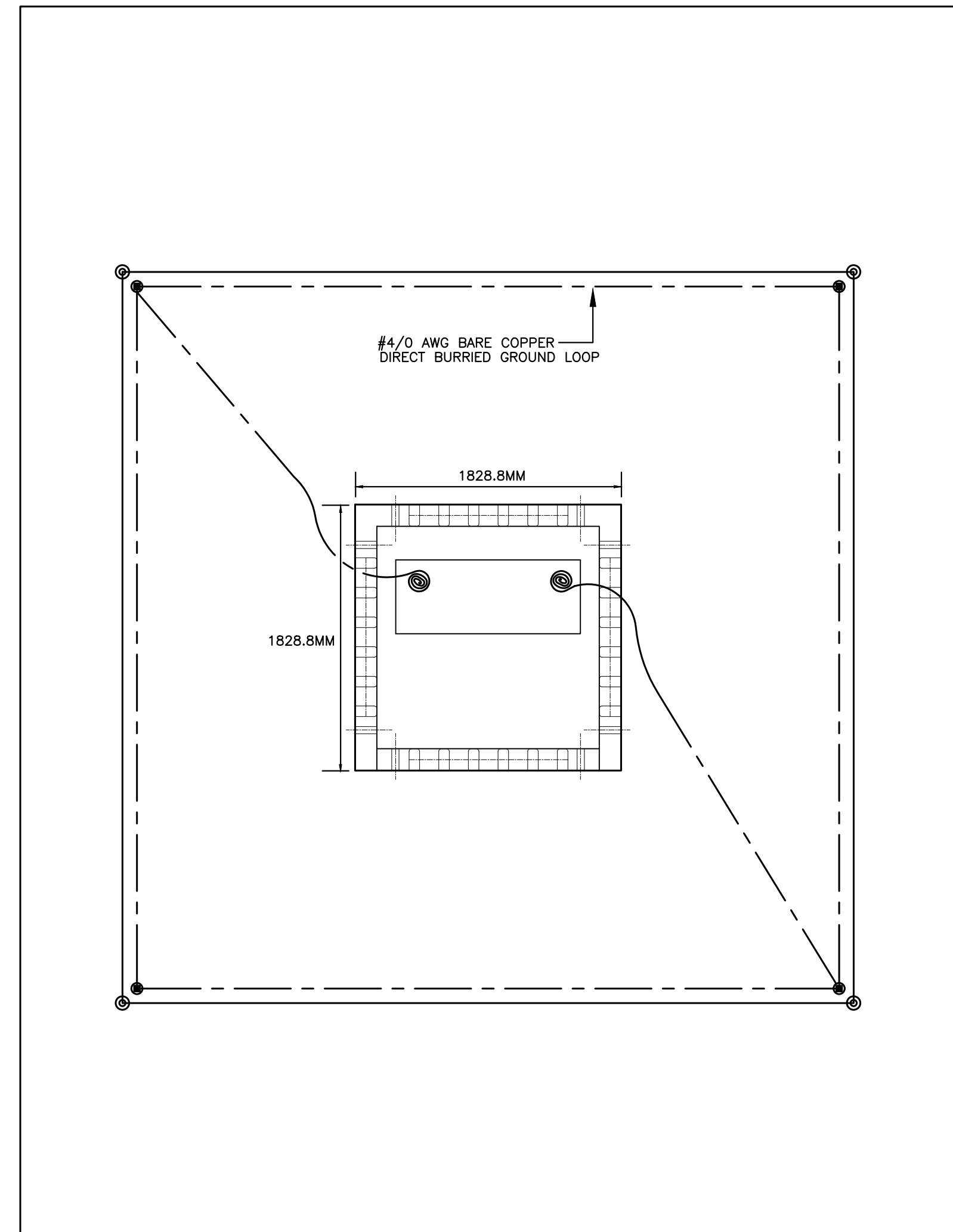
1 PAD MOUNTED TRANSFORMER FOUNDATION LID DETAIL

E1.1 SCALE: N.T.S.



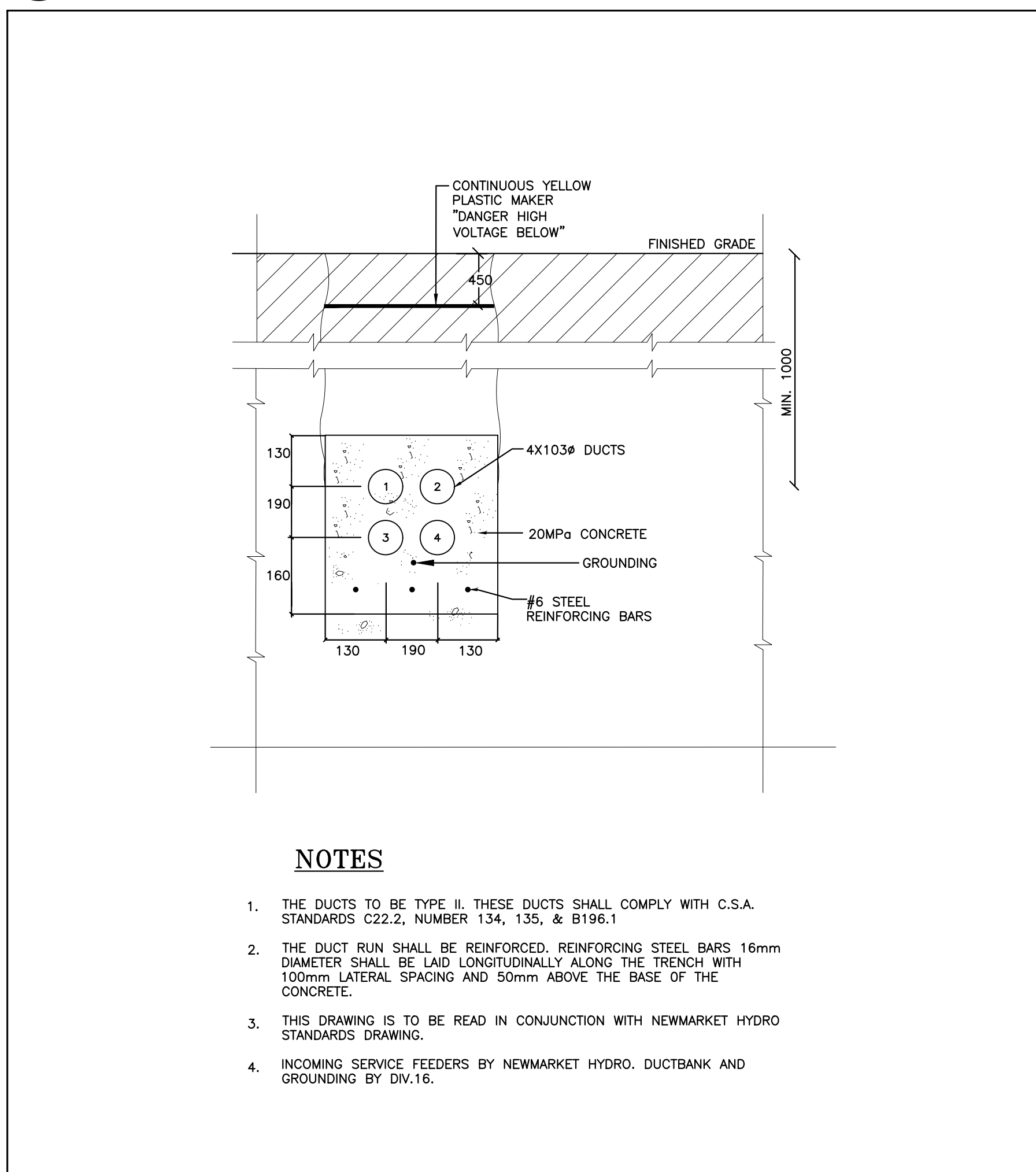
2 PAD MOUNTED TRANSFORMER FOUNDATION SEC.

E1.1 SCALE: N.T.S.



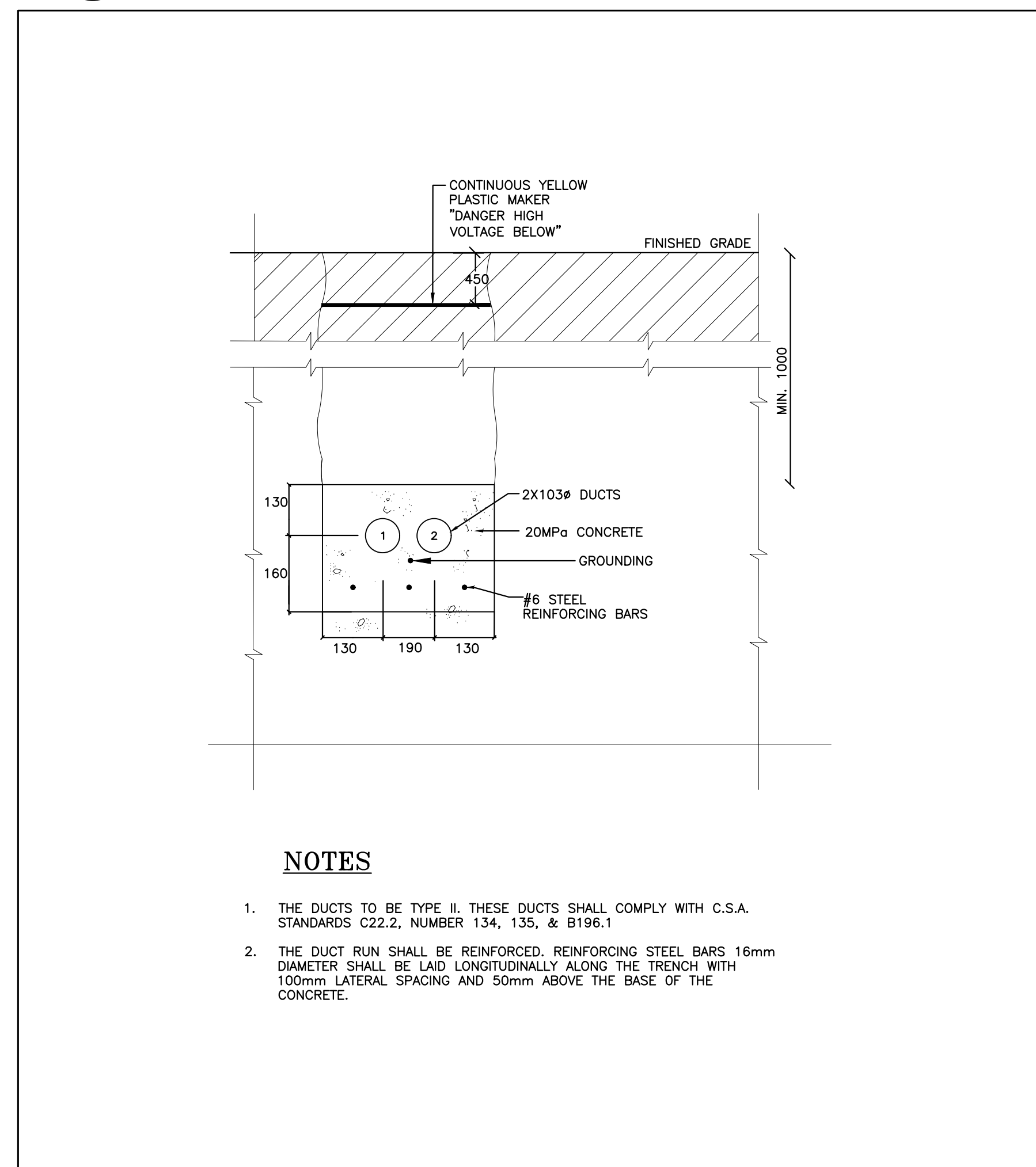
3 PAD MOUNTED TRANSFORMER GROUNDING DETAIL

E1.1 SCALE: N.T.S.



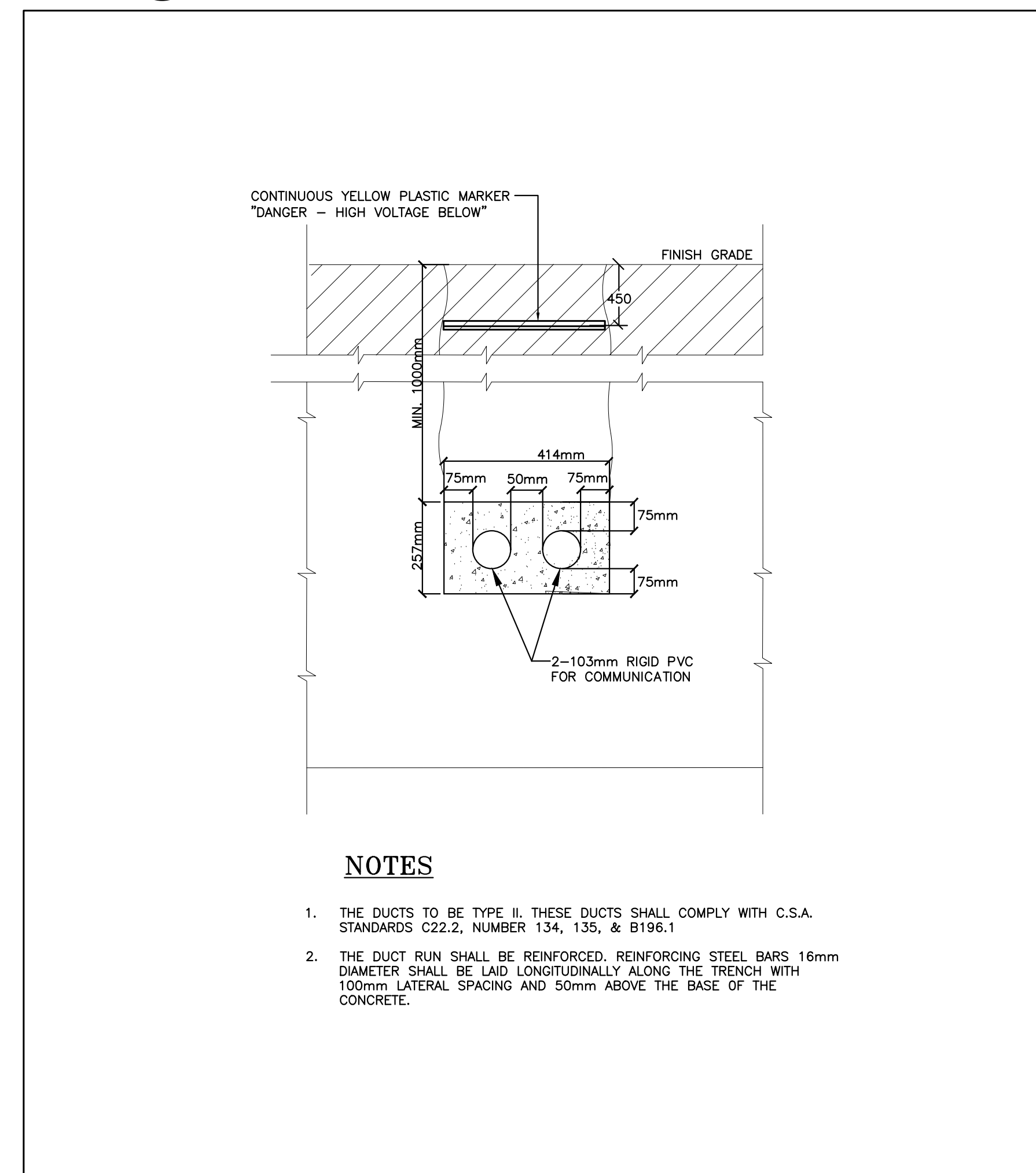
4 PRIMARY DUCTBANK DETAIL

E1.1 SCALE: N.T.S.



5 SECONDARY DUCTBANK DETAIL

E1.1 SCALE: N.T.S.

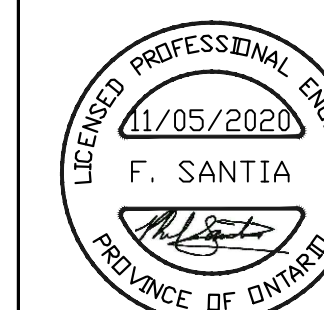


6 COMMUNICATION DUCTBANK DETAIL

E1.1 SCALE: N.T.S.

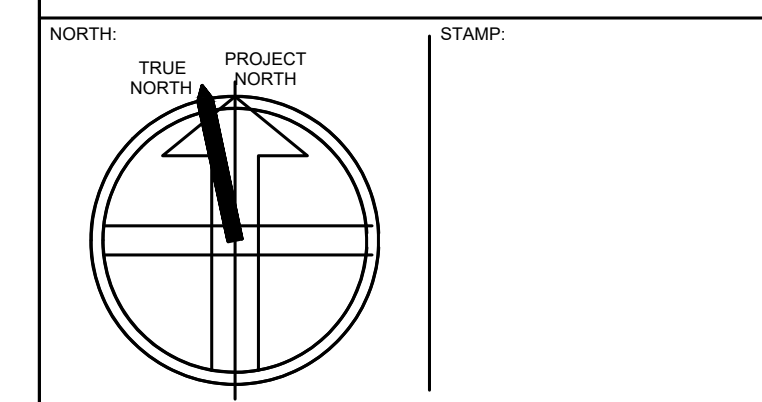
APPLICATION NUMBER:

APPLICATION NUMBER:



REVISIONS		

SUBMITTALS		
10		
9		
8		
7	ISSUED FOR PERMIT REVISIONS	2020.11.05 FC
6	RE-ISSUED FOR PERMIT	2020.08.12 FC
5	RE-ISSUED FOR PERMIT	2020.06.26 FC
4	ISSUED TO ESA	2020.06.01 FC
3	ISSUED FOR TENDER	2020.05.29 FC
2	ISSUED FOR PERMIT	2020.04.17 FC
1	ISSUED FOR COORDINATION	2020.04.09 FC
10	Description	YYYY.MM.DD By



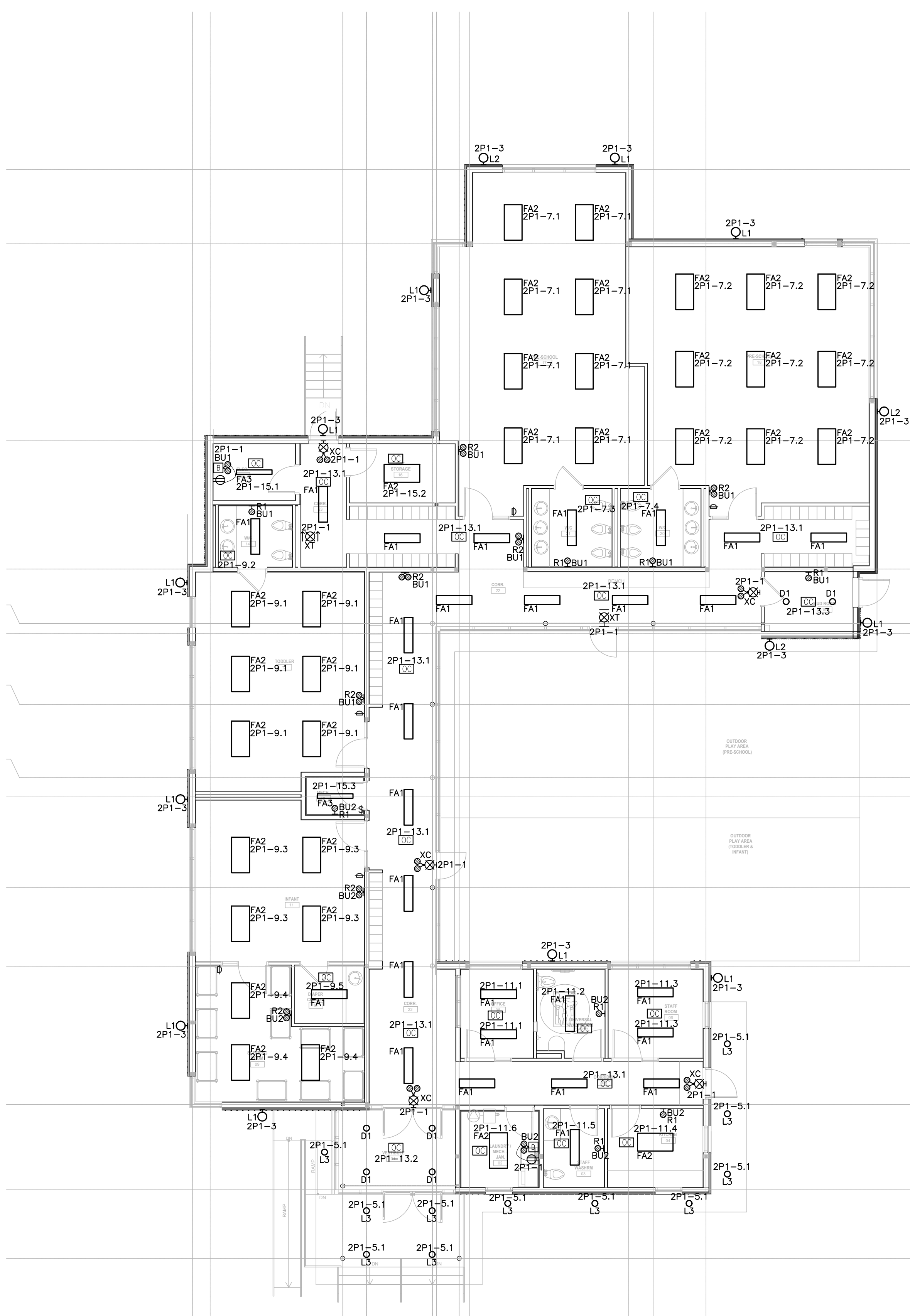
CONSULTING ENGINEERS LIGHTING - ELECTRICAL
Lumen
 595 CITYVIEW BLVD., SUITE 204/205
 VAUGHAN, ONTARIO, CANADA L4R 3M7
 Tel: (905) 417-6881 Fax: (905) 417-6882
 www.e-lumen.ca

219031 - DENISON DAYCARE CENTRE
 900 MULOCK DRIVE / 605 FERNBANK ROAD, NEWMARKET, ONTARIO
ELECTRICAL SITE PLAN DETAILS
 2020.02.19
 Scale: AS SHOWN Drawn By: FC Checked By: FC
 19-247

E1.1

GENERAL NOTES:

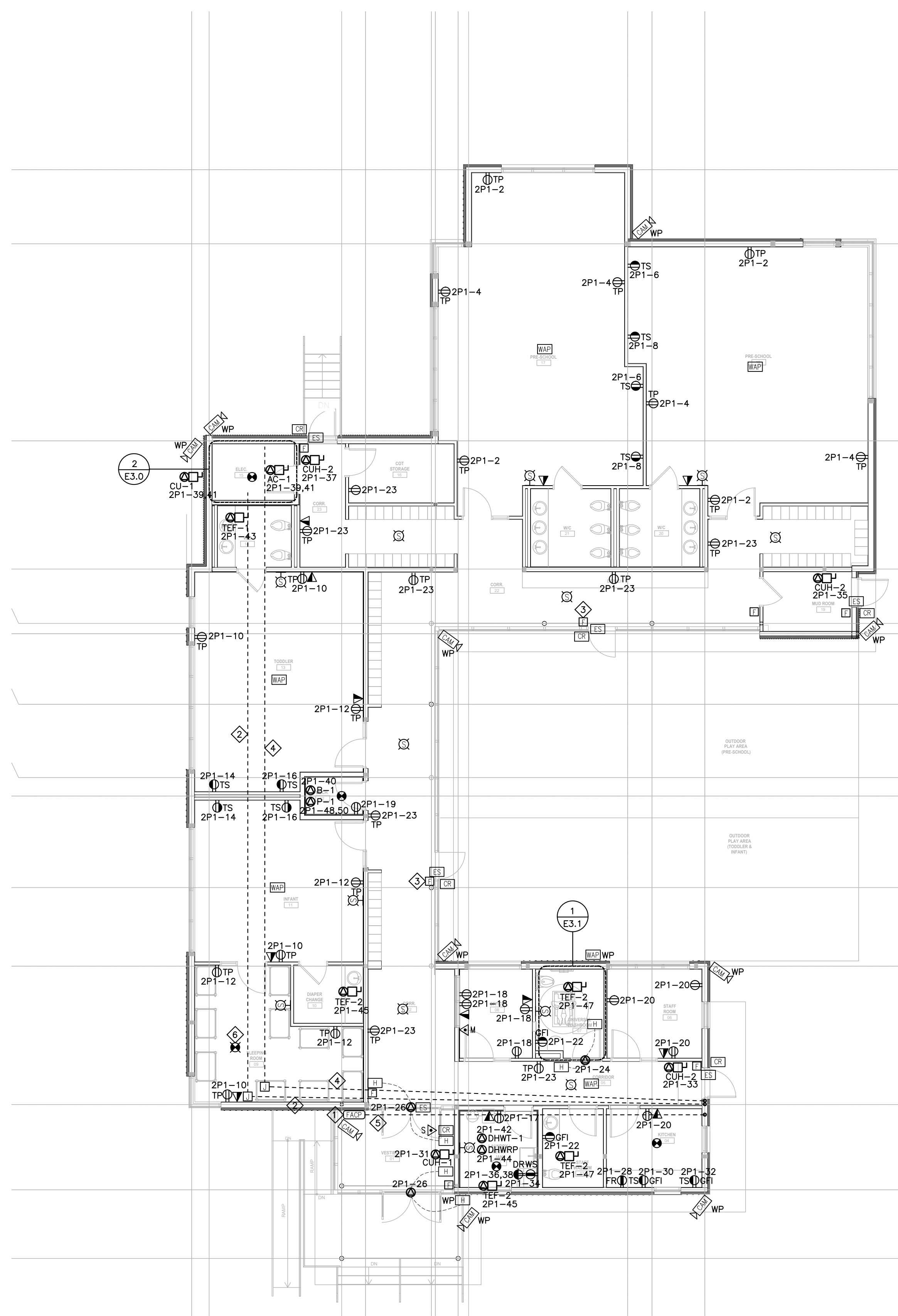
1. ALL OCCUPANCY SENSORS TO BE CEILING MOUNTED. OCCUPANCY SENSORS TO BE SPECIFIED ARE AS FOLLOWS: LUTRON OR WATTSTOPPER.



1 LIGHTING FLOOR PLAN
SCALE: 1:100

GENERAL NOTES:

1. FIRE ALARM CONTROL / ANNUNCIATOR PANEL.
2. PROVIDE CONDUIT FOR POWER C/W JUNCTION BOXES IN CEILING. REFER TO SINGLE LINE DIAGRAM FOR CONDUIT & FEEDER SIZE.
3. FIRE ALARM PULL STATION TO BE INSTALLED ON MULLION OF EXIT DOOR TO SUIT.
4. PROVIDE 1-41mmC FOR COMMUNICATION C/W JUNCTION BOXES IN CEILING & PULLSTRING.
5. PROVIDE 1-27mmC FOR FIRE ALARM TROUBLE SIGNAL.
6. 120V SMOKE/STROBE/CO COMBINATION C/W RELAY. PROVIDE LOW VOLTAGE WIRING IN CONDUIT FROM RELAY TO SECURITY CONTROL PANEL.



2 POWER & SYSTEMS FLOOR PLAN
SCALE: 1:100

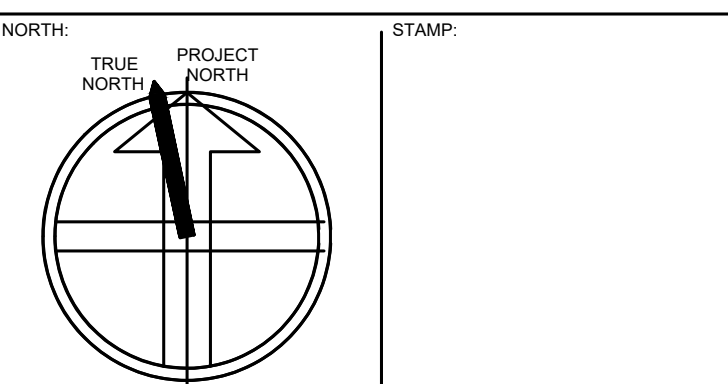
APPLICATION NUMBER:

APPLICATION NUMBER:



REVISIONS		

SUBMITTALS		
10		
9		
8		
7	ISSUED FOR PERMIT REVISIONS	2020.11.05 FC
6	RE-ISSUED FOR PERMIT	2020.08.12 FC
5	RE-ISSUED FOR PERMIT	2020.06.26 FC
4	ISSUED TO ESA	2020.06.01 FC
3	ISSUED FOR TENDER	2020.05.29 FC
2	ISSUED FOR PERMIT	2020.04.17 FC
1	ISSUED FOR COORDINATION	2020.04.09 FC
10	Description	YYYY.MM.DD BY



CONSULTING ENGINEERS LIGHTING - ELECTRICAL
595 CITYVIEW BLVD. SUITE 204/205
VAUGHAN, ONTARIO, CANADA L4R 3M7
Tel: (905)417-6881 Fax: (905)417-6882
www.e-lumen.ca

219031 - DENISON DAYCARE CENTRE

900 MULOCK DRIVE / 605 FERMBANK ROAD, NEWMARKET, ONTARIO

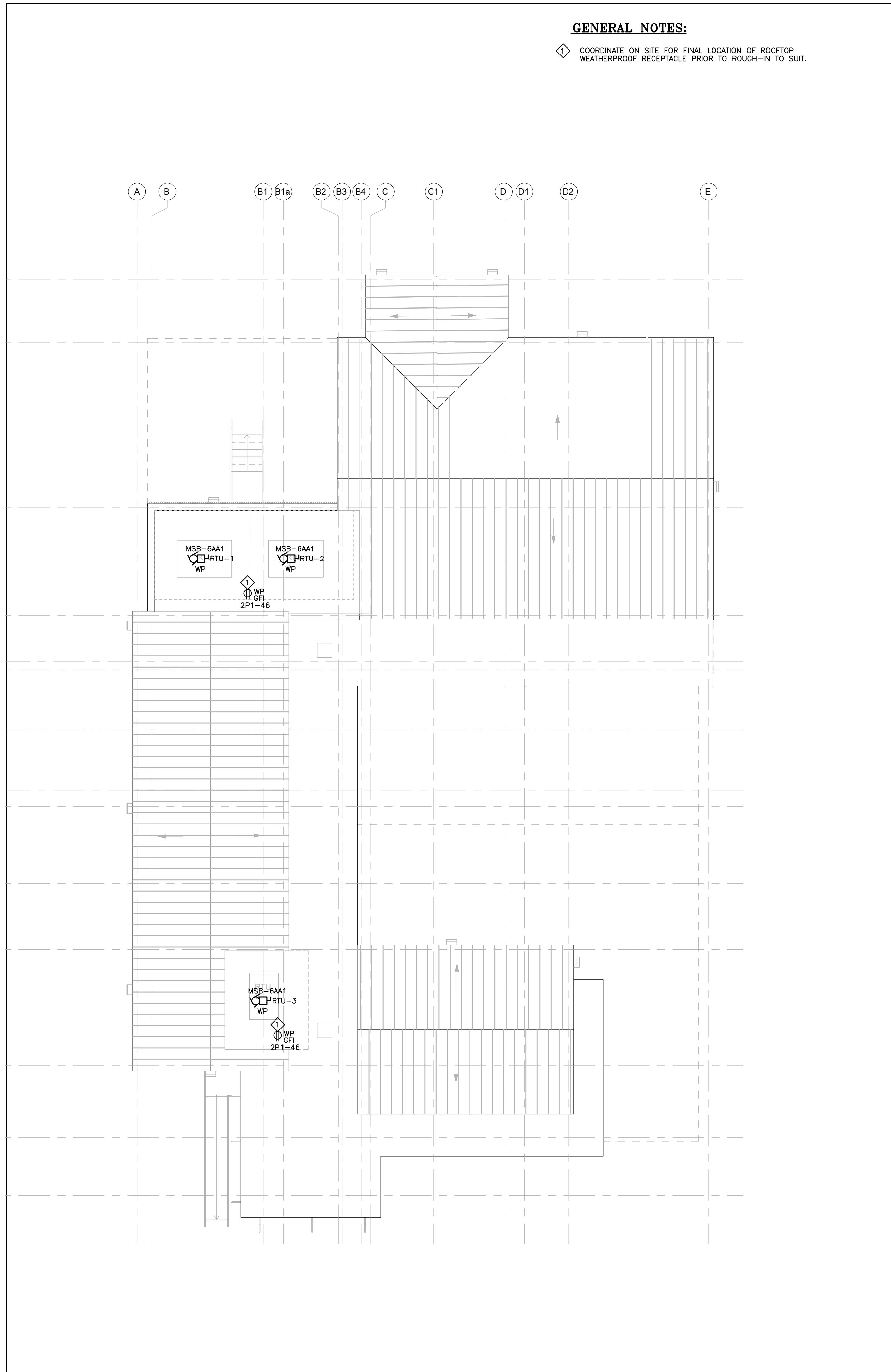
ELECTRICAL GROUND FLOOR PLAN

2020.02.19
Scale: AS SHOWN Drawn By: FC Checked By: FC
19-247

E2.0

GENERAL NOTES:

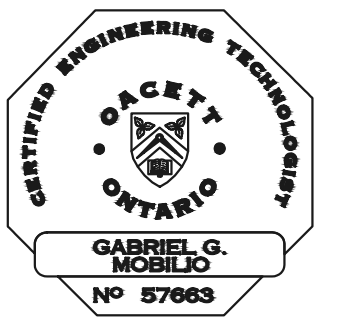
① COORDINATE ON SITE FOR FINAL LOCATION OF ROOFTOP WEATHERPROOF RECEPTACLE PRIOR TO ROUGH-IN TO SUIT.



1 ELECTRICAL ROOF PLAN
SCALE: 1:100

APPLICATION NUMBER:

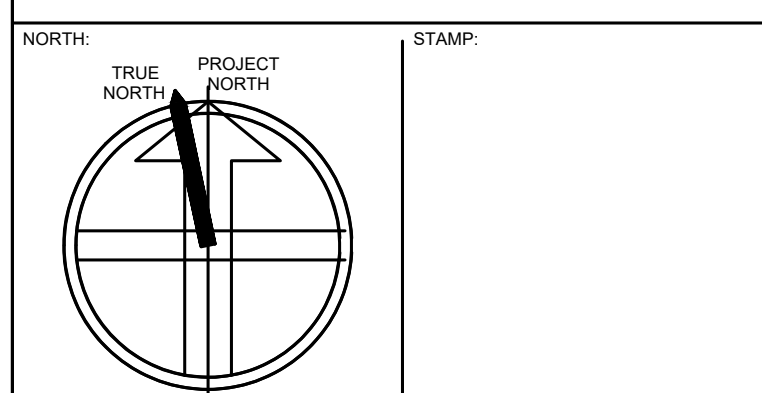
APPLICATION NUMBER:



REVISIONS

SUBMITTALS

10		
9		
8		
7	ISSUED FOR PERMIT REVISIONS	2020.11.05 FC
6	RE-ISSUED FOR PERMIT	2020.08.12 FC
5	RE-ISSUED FOR PERMIT	2020.06.26 FC
4	ISSUED TO ESA	2020.06.01 FC
3	ISSUED FOR TENDER	2020.05.29 FC
2	ISSUED FOR PERMIT	2020.04.17 FC
1	ISSUED FOR COORDINATION	2020.04.09 FC
10	Description	YYYY.MM.DD By



CONSULTING ENGINEERS LIGHTING - ELECTRICAL
 595 CITYVIEW BLVD. SUITE 204/205
 VAUGHAN, ONTARIO, CANADA L4H 3M7
 Tel: (905) 417-8881 Fax: (905) 417-8882
 www.e-lumen.ca

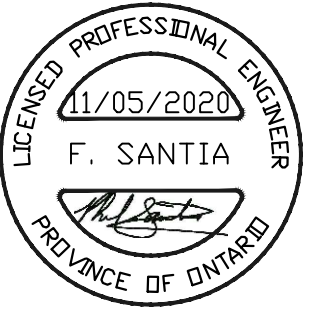
219031 - DENISON DAYCARE CENTRE

900 MULOCK DRIVE / 605 FERNBANK ROAD, NEWMARKET, ONTARIO

ELECTRICAL ROOF PLAN

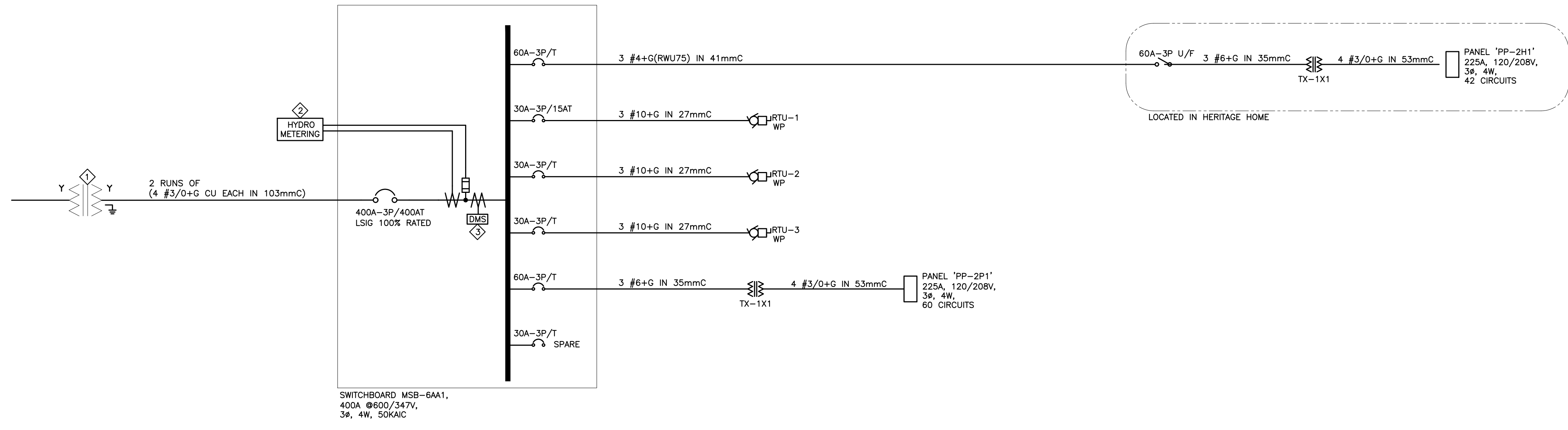
2020.02.19
 Scale: AS SHOWN Drawn By: FC Checked By: FC
 19-247

E2.1



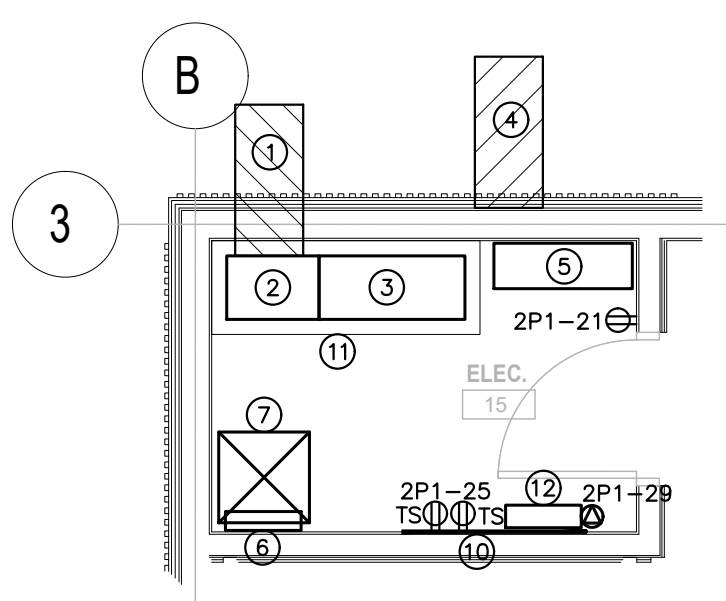
TRANSFORMER SCHEDULE										
LABEL	KVA RATING	IMPEDANCE (%)	K-RATED	PRIMARY			SECONDARY			REMARKS
				VOLTS	PHASE	WIRE	VOLTS	PHASE	WIRE	
TX-1X1	45	STND	13	600	3	4	120/208	3	4	DRY TYPE

ITEM	NOTES
1	NEW PAD MOUNTED TRANSFORMER BY NEWMARKET HYDRO.
2	HYDRO METERING CABINET.
3	CO-ORDINATE WITH NEWMARKET HYDRO AND RECEIVE ONE SET OF CT/PT'S AND INSTALL AT MAIN SWITCHBOARD.



1 SINGLE LINE DIAGRAM
SCALE: N.T.S.

ELECTRICAL LEGEND	
ITEM	DESCRIPTION
1	DUCTBANK 2-4"C.
2	WIREWAY.
3	MAIN DISTRIBUTION SECTION MSB-6AA1, 400A @347/600V, 3ø, 4W.
4	TELECOMM 2-4"C.
5	900MM X 900MM X 300MM METERING CABINET
6	HOUSE POWER PANEL PP-2P1, 225A @120/208V, 3ø, 4W.
7	CEILING MOUNTED 45KVA 600-120/208V TRANSFORMER.
8	NOT USED.
9	NOT USED.
10	FIRE RATED PLYWOOD BACKBOARD, 6"(H)X4"(L)X3/4"(D).
11	4" HOUSEKEEPING PAD
12	SECURITY PANEL



2 ELECTRICAL ROOM LAYOUT DETAIL
SCALE: 1:50

LOAD DESCRIPTION	LOAD (W)	BRKR SIZE	CCT NO.	PH	CCT NO.	BRKR SIZE	LOAD (W)	LOAD DESCRIPTION
BATTERY UNITS/EXIT SIGNS	800	20A*	1	A	2	15A	600	PRESCHOOL MISC. RECEPTACLES
EXTERIOR LIGHTING	700	20A	3	B	4	15A	600	PRESCHOOL MISC. RECEPTACLES
EXTERIOR LIGHTING	315	20A	5	C	6	20A	800	PRESCHOOL COUNTER RECEPTACLES
PRE-SCHOOL LIGHTING	925	20A	7	A	8	20A	800	PRESCHOOL COUNTER RECEPTACLES
TODDLER/INFANT LIGHTING	685	20A	9	B	10	15A	600	TOD/INF MISC. RECEPTACLES
OFFICE/STAFF/KIT./WM./JAN. LTG	370	20A	11	C	12	15A	600	TOD/INF MISC. RECEPTACLES
CORRIDOR/VEST. LIGHTING	850	20A	13	A	14	20A	800	TOD/INF COUNTER RECEPTACLES
ELEC./MECH/STG. LIGHTING	200	20A	15	B	16	20A	800	TOD/INF COUNTER RECEPTACLES
LAUNDRY/JAN. ROOM RECEPTACLE	400	20A	17	C	18	20A	600	OFFICE RECEPTACLES
MECH. ROOM RECEPTACLE	400	20A	19	A	20	15A	600	STAFF/KITCHEN MISC. RECEPTACLES
ELEC. ROOM RECEPTACLE	400	20A	21	B	22	20A	800	WASHROOM GFI RECEPTACLES
MISC. CORRIDOR RECEPTACLES	800	20A	23	C	24	15A	300	UNV. WASHROOM DOOR OPERATOR
COMM. RECEPTACLES	600	20A	25	A	26	15A	400	ENTRY DOOR OPERATORS
FIRE ALARM PANEL	200	15A*	27	B	28	20A	500	FRIDGE
SECURITY PANEL	200	15A*	29	C	30	20A	800	KITCHEN COUNTER GFI RECEPTACLE
CUH-1	100	15A	31	A	32	20A	800	KITCHEN COUNTER GFI RECEPTACLE
CUH-2	100	15A	33	B	34	20A	500	WASHER
CUH-2	100	15A	35	C	36	40A	3000	DRYER
CUH-2	100	15A	37	A	38	2P		
AC-1/CU-1	3000	30A	39	B	40	15A	550	B-1
		2P	41	C	42	15A	500	DHWT-1
TEF-1	900	15A	43	A	44	15A	100	DHWRP
TEF-2	200	15A	45	B	46	20A	500	ROOFTOP GFI RECEPTACLES
TEF-2	200	15A	47	C	48	15A	1000	P-1
SPARE		20A	49	A	50	2P		
SPARE		20A	51	B	52	15A		SPARE
SPARE		15A	53	C	54	15A		SPARE
SPACE			55	A	56			SPACE
SPACE			57	B	58			SPACE
SPACE			59	C	60			SPACE

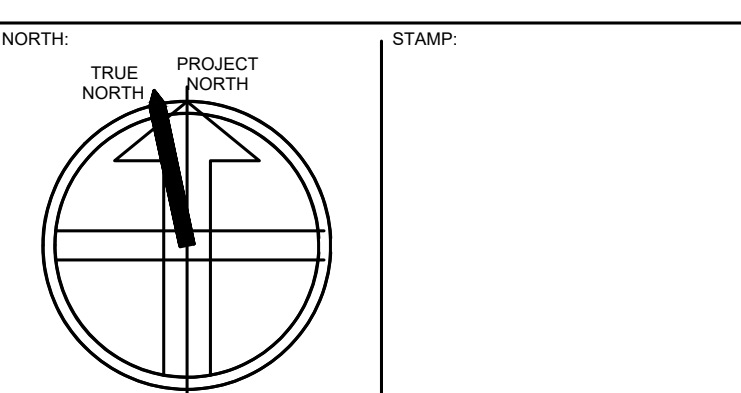
PANEL: "pp-2p1"	VOLTS: 120/208V	TYPE: FLUSH	<input type="checkbox"/>
	PHASE: 3ø	LOAD(KW): 29.095	<input checked="" type="checkbox"/> SURFACE
	WIRE: 4W	LOAD(AMPS): 80.82	<input checked="" type="checkbox"/> SPRINKLERPROOF
	MAINS: 225A	LOCATION: ELEC. ROOM	<input type="checkbox"/> MAIN BREAKER
	I.C.(KA): 35KAIC	FED FROM: MSB-6AA1	<input type="checkbox"/> SPD

- NOTES:
1. PROVIDE DOUBLE SIZED NEUTRAL BUS.
 2. THE MAINS SHALL BE COPPER AND SUITABLE FOR BOLT-ON BREAKERS.
 3. COMPLETE CIRCUIT NUMBER DIRECTORY WITH TYPE WRITTEN LEGEND SHOWING LOCATION OF EACH CIRCUIT.
 4. CIRCUIT NUMBER FOR GROUPING PURPOSE ONLY.
 5. PANEL SHALL BE WITH ISOLATED GROUND BAR.
 6. "*" - DENOTES GFI TYPE BREAKER.
 7. "**" - DENOTES LOCK-'ON' BREAKER.

3 HOUSE POWER PANEL - 'PP-2P1'
SCALE: N.T.S.

REVISIONS		
NO.	DESCRIPTION	DATE

SUBMITTALS		
NO.	DESCRIPTION	DATE
7	ISSUED FOR PERMIT REVISIONS	2020.11.05 FC
6	RE-ISSUED FOR PERMIT	2020.08.12 FC
5	RE-ISSUED FOR PERMIT	2020.06.26 FC
4	ISSUED TO ESA	2020.06.01 FC
3	ISSUED FOR TENDER	2020.05.29 FC
2	ISSUED FOR PERMIT	2020.04.17 FC
1	ISSUED FOR COORDINATION	2020.04.09 FC
10	Description	YYYY.MM.DD Sy



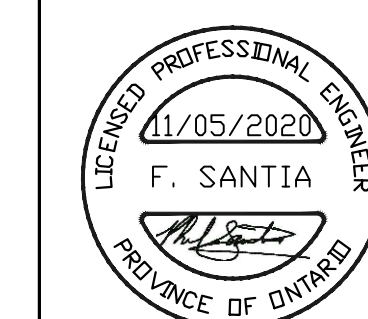
CONSULTING ENGINEERS LIGHTING - ELECTRICAL
 595 CITYVIEW BLVD., SUITES 204/205
 VAUGHAN, ONTARIO, CANADA L4R 3M7
 Tel:(905)417-6881 Fax:(905)417-6882
 www.e-lumen.ca

219031 - DENISON DAYCARE CENTRE
 900 MULOCK DRIVE / 605 FERNBANK ROAD, NEWMARKET, ONTARIO
ELECTRICAL DISTRIBUTION
 2020.02.19
 Scale: AS SHOWN Drawn By: FC Checked By: FC
 19-247

E3.0

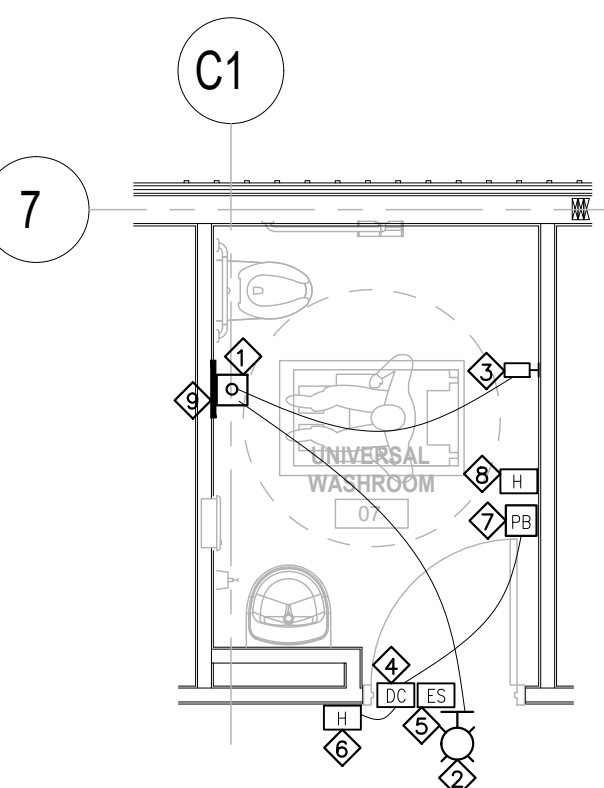
APPLICATION NUMBER:

APPLICATION NUMBER:



NOTES:

- PUSH BUTTON FOR EMERGENCY CALL. MUSHROOM PUSH BUTTON: "PRESS FOR EMERGENCY ASSISTANCE" REF 2012 OBC, DIV B, 3.8.3.12.(2)(a) CYPRUSS INC. CAT.#HWNB01 OR APPROVED EQUAL
- SINGLE GANG DOME LIGHT, WITH SOUNDER INSTALLED ABOVE DOOR REF 2012 OBC, DIV B, 3.8.3.12.(1)(b) CYPRUSS INC. CAT.#HWNB05 OR APPROVED EQUAL
- SINGLE GANG ANNUNCIATOR, WITH SOUNDER "ASSISTANCE REQUESTED", REF 2012 OBC, DIV B, 3.8.3.12.(2)(a) CYPRUSS INC. CAT.#HWNB02 OR APPROVED EQUAL
- POWERED DOOR CONTACT SWITCH, PROVIDE 120 VOLT CIRCUIT, CYPRUSS INC. CAT.#HWN06 OR APPROVED EQUAL
- ELECTRIC STRIKE INTERLOCKED WITH POWERED DOOR OPERATOR AND EMERGENCY CALL SYSTEM, CYPRUSS INC. CAT.#HWN02 OR APPROVED EQUAL REF 2012 OBC, DIV B, 3.8.3.12.(1)(b).
- PUSH TO OPEN BUTTON, CYPRUSS INC. CAT.#HWN03 OR APPROVED EQUAL
- PUSH TO LOCK BUTTON, CYPRUSS INC. CAT.#HWN01 OR APPROVED EQUAL
- ALL-ACTIVE PUSH BUTTON, CYPRUSS INC. CAT.#HWN02 OR APPROVED EQUAL
- SIGN ABOVE PUSH BUTTON: "IN THE EVENT OF AN EMERGENCY PUSH EMERGENCY BUTTON AND AUDIBLE AND VISUAL SIGNAL WILL ACTIVATE" REF 2012 OBC, DIV B, 3.8.3.12.(2)(b) CYPRUSS INC. CAT.#HWNB03 OR APPROVED EQUAL
- BRIDGE RECTIFIER WITH CONNECTORS, CYPRUSS INC. CAT.#HWNB04 OR APPROVED EQUAL
- 12V AC TRANSFORMER, CYPRUSS INC. CAT.#HWNB06 OR APPROVED EQUAL
- CONTACT CYPRUSS INC.: (905) 799-9976

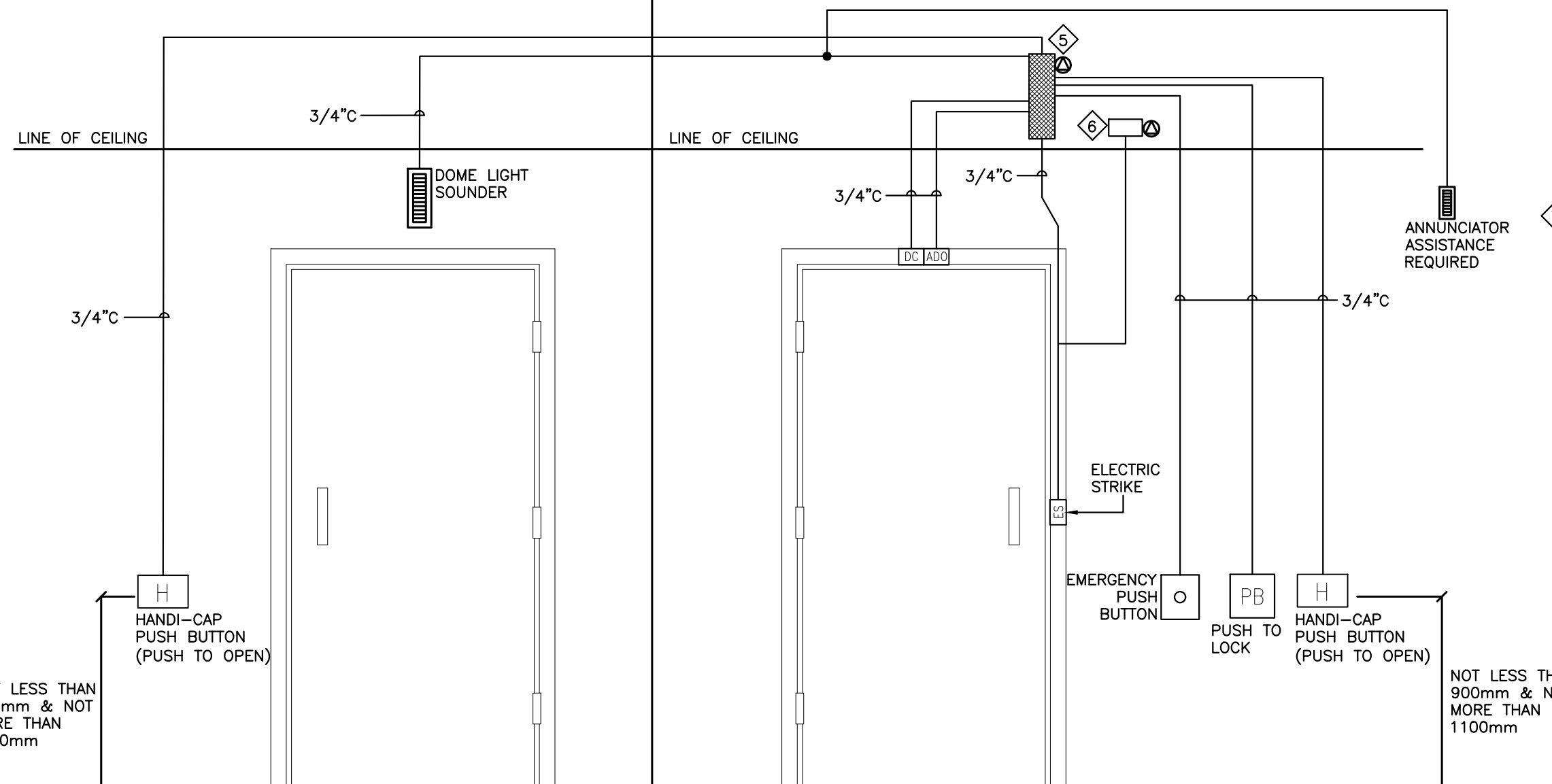


1 UNIVERSAL WASHROOM CALL SYSTEM FLOOR PLAN DETAIL

E3.1 SCALE: 1:50

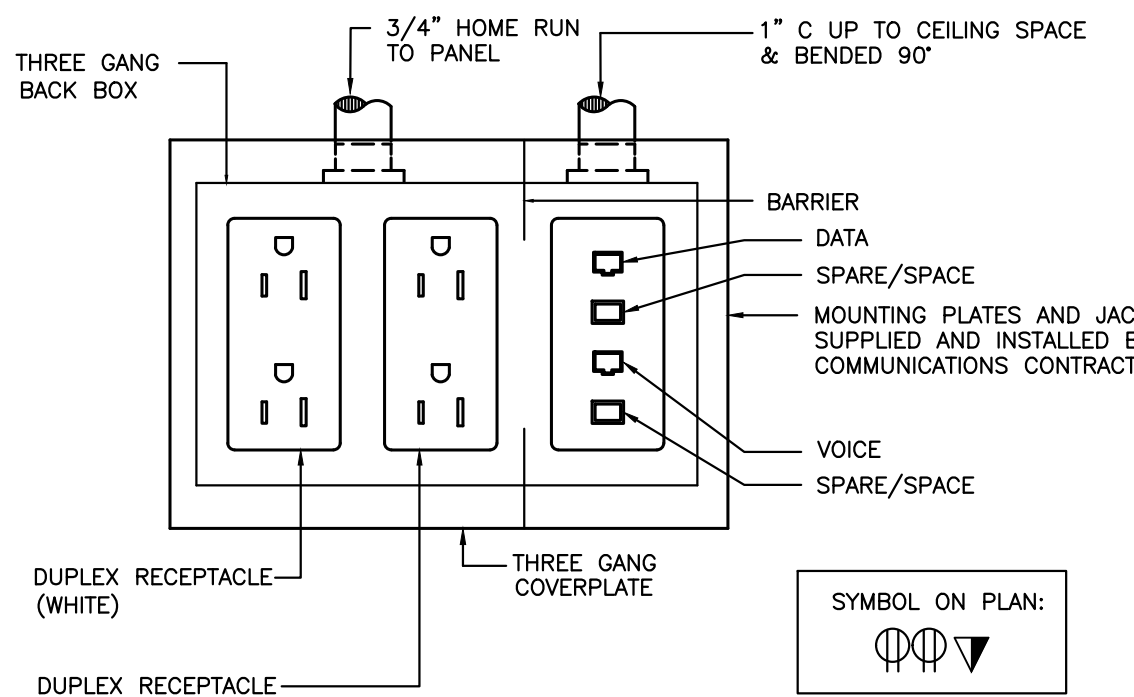
NOTES:

- DIV. 16 TO PROVIDE CONDUIT AND WIRING C/W PULLCORDS ABOVE ALL CEILINGS AS REQUIRED.
- ELECTRICAL CONTRACTOR TO PROVIDE ALL SYSTEM DEVICES AND NECESSARY INSTALLATION HARDWARE WIRING.
- ALL BACK BOXES AND COVERPLATES SHALL BE SUPPLIED & INSTALLED BY DIV.16.
- ALL CONDUITS & JUNCTION BOXES AND WIRING TO BE SUPPLIED & INSTALLED BY DIV.16.
- CONTROLLER, CYPRUSS INC. PROVIDE 120V.
- REGULATOR POWER SUPPLY CYPRUSS INC. PROVIDE 120V.
- EMERGENCY SIGN TO BE POSTED ABOVE EMERGENCY BUTTON.



2 UNIVERSAL WASHROOM CALL SYSTEM DOOR DETAIL

E3.1 SCALE: N.T.S.

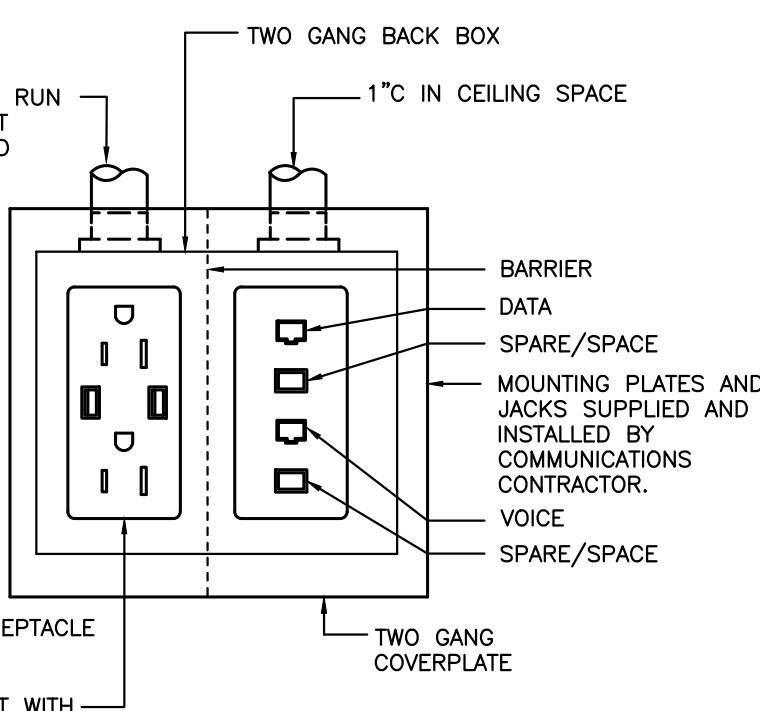


NOTES:

- THIS DETAIL IS TO BE USED FOR ALL WALL MOUNTED RECEPTACLE & COMMUNICATION AS PER INTERIOR DESIGNER DRAWINGS. EACH BOX SHALL BE EQUIPPED WITH PROPER CONDUIT SYSTEM AND MOUNTED AT SPECIFIED LOCATION.

3 WALL MOUNTED OUTLET DETAIL

E3.1 SCALE: N.T.S.



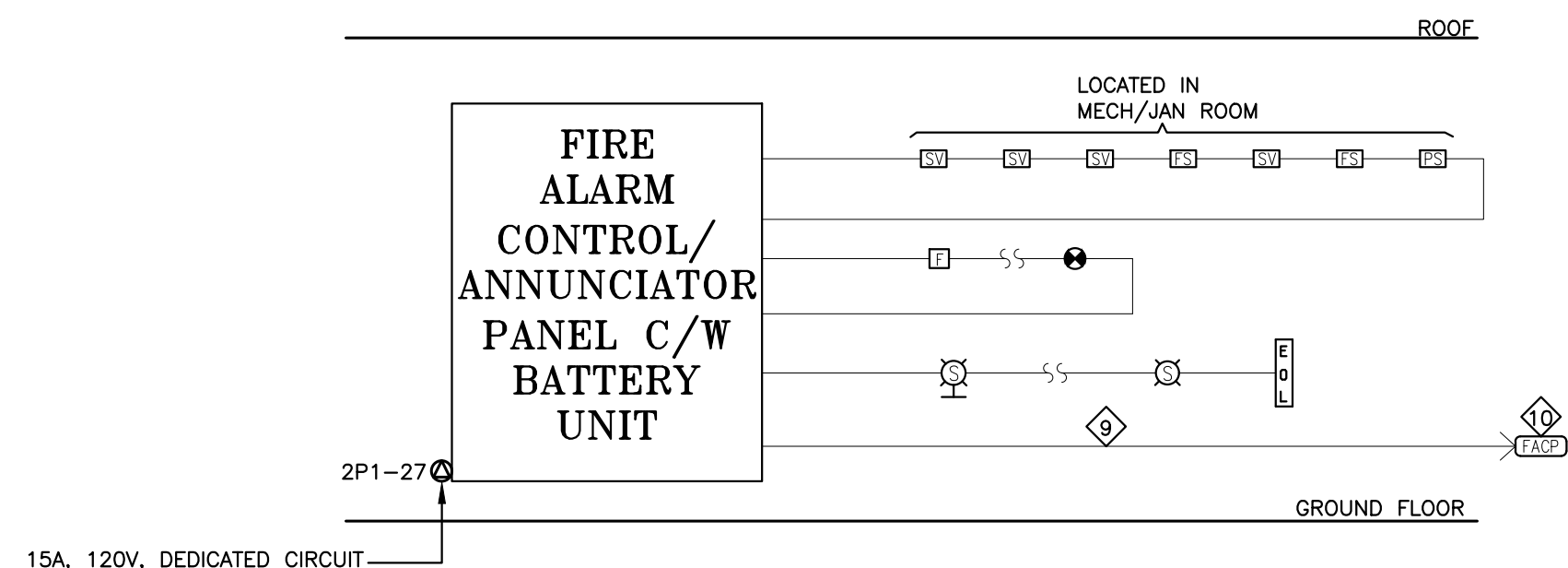
NOTES:

- THIS DETAIL IS TO BE USED FOR ALL WALL MOUNTED RECEPTACLE & COMMUNICATION AS PER INTERIOR DESIGNER DRAWINGS. EACH BOX SHALL BE EQUIPPED WITH PROPER CONDUIT SYSTEM AND MOUNTED AT SPECIFIED LOCATION.

4 WALL MOUNTED OUTLET DETAIL

E3.1 SCALE: N.T.S.

FIRE ALARM CONTROL/ ANNUNCIATOR PANEL C/W BATTERY UNIT



NOTES:

- SINGLE STAGE ADDRESSABLE FIRE ALARM SYSTEM.
- DRAWING ARE DIAGRAMATICALLY ONLY. REFER TO FLOOR PLANS FOR EXACT LOCATION & QUANTITY OF DEVICES.
- PROVIDE LINE ISOLATOR WHEN PASSING FIRE RATED PARTITION.
- DIV. 16 TO PROVIDE REQUIRED WIRING C/W CONDUIT AS PER MANUFACTURER RECOMMENDATION.
- DIV. 16 TO REFER TO F.A. SCHEDULE FOR F.A CONNECTION & ZONING PROVIDE APPROPRIATE ZONES AS PER FIRE MARSHALL INSTRUCTION
- PROVIDE SIGNAL TO FIRE DEPARTMENT
- PROVIDE ADDRESSABLE FIRE ALARM SYSTEM C/W ALL REQUIRED WIRING, CONDUIT AND DEVICES FOR A COMPLETE INSTALLATION & OPERATION TO SUIT. SYSTEM TO BE C/W DGP PANELS, ANNUNCIATOR, GRAPHIC MAP & SHALL BE MICRO PROCESSOR BASED.
- ELECTRICAL CONTRACTOR TO CARRY ONE OF THE FOLLOWING APPROVED FIRE ALARM MANUFACTURERS: MIROOM, GE, NOTIFIER & SIMPLEX.
- PROVIDE 1-27mmC FOR FIRE ALARM TROUBLE SIGNAL BETWEEN DAYCARE FIRE ALARM PANEL AND HERITAGE HOME FIRE ALARM PANEL. COORDINATE ON SITE FOR EXACT LOCATION OF BOTH FIRE ALARM PANELS.
- FIRE ALARM PANEL LOCATED IN HERITAGE HOME.

5 FIRE ALARM RISER DIAGRAM

E3.1 SCALE: N.T.S.

FIRE ALARM SCHEDULE

FIRE ALARM ZONE	CIRCUIT NUMBER	DESCRIPTION	FACP	INITIATING DEVICES										NOTIFICATION DEVICES				MONITORING AND CONTROL POINT														
				CONTROL	ANNUNCIATION	PULL STATION	SMOKE DETECTOR	HEAT DETECTOR	DUCT SMOKE DETECTOR	SPRINKLER FLOW SWITCH	SPRKR. SUPERVISED VALVE	WET SPR. SYS. CHECK VALVE	DRY SPR. SYS. CHECK VALVE	LOW PRESSURE VALVE	SIGNAL TO FIRE DEPARTMENT	STROBE/HORN	HORN	SPEAKER/STROBE	SPEAKER	PRESSURE PUMP	TROUBLE	AUXILIARY CONNECTION	EMERGENCY POWER	SMOKE DAMPER	FAN AUTOMATIC SHUT-DOWN	FAN AUTOMATIC START-UP	KITCHEN EQUIP. SHUT-DOWN	MUSIC EQUIP. SHUT-DOWN	ELEVATOR RECALL	FIREMAN HANDSET	SIGNAL TO FIRE DEPARTMENT	LOCATE AT SUPPLY DUCT
1	1	ELECTRICAL ROOM	A																													
2	2	GROUND FLOOR	A																													
3	3	LAUNDRY/MECH ROOM	A																													
4	4	MECH ROOM	A																													
5	PS#1		T																													
6	SV#1		T																													
7	FS#1		A																													
8	SV#2		T																													
9	FS#2		A																													
10	SV#3		T																													
11	SV#4		T																													
12	HOME HERITAGE FIRE ALARM SYSTEM		T																													
13	FIRE DEPARTMENT		A																													
14	SPARE																															
15	SPARE																															
16	SPARE																															

CONTROL SWITCHES: OC - OPEN/CLOSE, RAS - RUN/AUTO/STOP, ANNUNCIATION (LAMP): A - ALARM, T - TROUBLE, O - OPEN, C - CLOSE, R - RUNNING, S - STOP

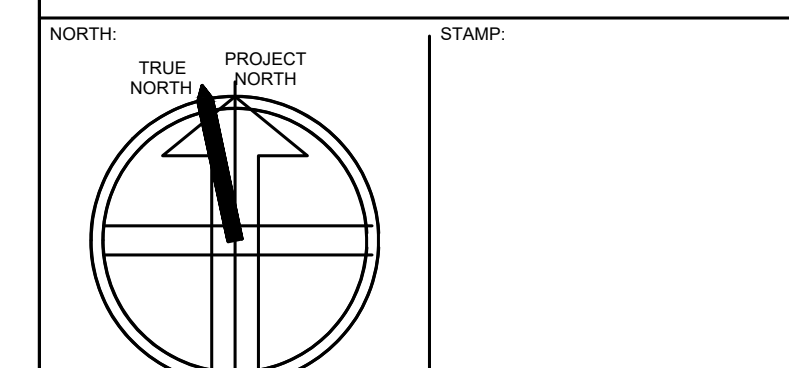
6 FIRE ALARM SCHEDULE

E3.1 SCALE: N.T.S.

REVISIONS

SUBMITTALS

7	ISSUED FOR PERMIT REVISIONS	2020.11.05 FC
8	RE-ISSUED FOR PERMIT	2020.08.12 FC
9	RE-ISSUED FOR PERMIT	2020.06.26 FC
4	ISSUED TO ESA	2020.06.01 FC
3	ISSUED FOR TENDER	2020.05.29 FC
2	ISSUED FOR PERMIT	2020.04.17 FC
1	ISSUED FOR COORDINATION	2020.04.09 FC
16	Description	YYYY.MM.DD By



CONSULTING ENGINEERS LIGHTING - ELECTRICAL
 595 CITYVIEW BLVD., SUITE 204/205 VAUGHAN, ONTARIO, CANADA L4R 3M7
 Tel: (905) 417-8881 Fax: (905) 417-8882
 www.e-lumen.ca

219031 - DENISON DAYCARE CENTRE

900 MULOCK DRIVE / 605 FERNBANK ROAD, NEWMARKET, ONTARIO
ELECTRICAL DETAILS
 2020.02.19
 AS SHOWN FC FC
E3.1