

SYMBOL	DESCRIPTION	SYMBOL	DESCRIPTION
	GATE OR ISOLATION VALVE (REFER TO SPECIFICATION)		PIPE GUIDE
	GLOBE VALVE		PIPE SLEEVE
	BALL VALVE		ANCHOR
	LOCKSHIELD VALVE		STRAINER
	FLOW BALANCING VALVE		UNION
	PRESSURE INDEPENDENT FLOW BALANCING VALVE		FLANGE FITTING
	PLUG VALVE		ECCENTRIC FITTING
	PRESSURE REDUCING VALVE		CONCENTRIC FITTING
	CHECK VALVE		PRESSURE GAUGE
	SOLENOID VALVE		THERMOMETER
	SAFETY RELIEF VALVE		PRESSURE GAUGE COCK ASSEMBLY
	FLOW METERING STATION		THERMOMETER WELL
	BACKFLOW PREVENTOR		EXPANSION JOINT
	ANGLE VALVE		MANUAL AIR VENT
	BUTTERFLY VALVE		AUTOMATIC AIR VENT
	2-WAY BUTTERFLY VALVE		AIR SEPARATOR
	TEMPERED MIXING VALVE		SIGHT GLASS
	FLEXIBLE JOINT		PUMP
	VACUUM BREAKER		P.R.V. C/W SHUT-OFF VALVE
	BACK WATER VALVE		WATER HAMMER ARRESTOR

NOTE: NOT ALL SYMBOLS APPLY, REFER TO FLOOR PLANS AND DRAWINGS

7 VALVES AND APPURTENANCES (MSD-012.06)

SYMBOL	DESCRIPTION	SYMBOL	DESCRIPTION
	FIRE LINE		PENDANT SPRINKLER HEAD
	FLOW SWITCH		DRY PENDANT SPRINKLER HEAD
	SUPERVISED VALVE		UPRIGHT SPRINKLER HEAD
	FIRE VALVE		CONCEALED SPRINKLER HEAD
	FIRE STANDPIPE		NON-FREEZE SPRINKLER HEAD
	DELUGE SYSTEM VALVE		HIGH TEMPERATURE SPRINKLER HEAD
	WET PIPE VALVE		CHEMICAL SPRINKLER HEAD
	DRY SYSTEM VALVE		SIDEWALL SPRINKLER HEAD
	PREACTION SYSTEM VALVE		WINDOW SPRINKLER HEAD
	FIRE HYDRANT		SEMI RECESSED SPRINKLER HEAD
	FIRE GONG		
	FIRE DEPARTMENT CONNECTION		
	WET SPRINKLER LINE		
	DRY SPRINKLER LINE		
	WET FIRE LINE		
	DRY FIRE LINE		
	FIRE HOSE CABINET AND TYPE		FIRE VALVE CABINET AND TYPE
	SPRINKLER SHUT-OFF VALVE CABINET AND TYPE		
	FIRE EXTINGUISHER AND TYPE		
	FIRE EXTINGUISHER CABINET AND TYPE		FIRE REEL AND TYPE

NOTE: NOT ALL SYMBOLS APPLY, REFER TO FLOOR PLANS AND DRAWINGS

8 FIRE PROTECTION (MSD-012.07)

SYMBOL	DESCRIPTION	SYMBOL	DESCRIPTION
FIXTURES: (REFER TO SPECIFICATION FOR DETAILS AND ADDITIONAL TYPES NOT LISTED BELOW)			
	WATER CLOSET		BATHTUB
	URINAL		SHOWER
	COUNTERTOP LAVATORY		DRINKING FOUNTAIN
	WALL HUNG LAVATORY		EMERGENCY EYEWASH
	SINGLE COMPARTMENT SINK		EMERGENCY EYEWASH/SHOWER
	JANITOR SINK		EMERGENCY SHOWER
	DOUBLE COMPARTMENT SINK		FLUSH TANK
	DOMESTIC COLD WATER (DOM. COLD WATER) (D.C.W.)		
	BURIED DOMESTIC COLD WATER (DOM. COLD WATER) (D.C.W.)		
	DOMESTIC HOT WATER (DOM. HOT WATER) (D.H.W.)		
	DOMESTIC HOT WATER RECIRCULATION (DOM. HOT WATER RECIRC.) (D.H.W.R.)		
	TEMPERED WATER		HOSE BIBB
	NON-POTABLE WATER		WALL HYDRANT (OR NON FREEZE WALL HYDRANT)
	WATER METER		GROUND HYDRANT (OR NON FREEZE GROUND HYDRANT)
	TEMPERED MIXING VALVE ASSEMBLY		NON FREEZE POST HYDRANT
	TEMPERED MIXING VALVE CABINET		HOT AND COLD HOSE BIBB

NOTE: NOT ALL SYMBOLS APPLY, REFER TO FLOOR PLANS AND DRAWINGS

5 PLUMBING SYMBOLS AND ABBREVIATIONS (MSD-012.04)

SYMBOL	DESCRIPTION	SYMBOL	DESCRIPTION
	DISTILLED WATER (D.W.)		COMPRESSED AIR
	DEMINERALIZED WATER (D.E.W.)		VACUUM
	REVERSE OSMOSIS VALVE		NON-POTABLE COLD WATER
	REVERSE OSMOSIS LINE		CHILLED DRINKING WATER
	MEDICAL GAS SHUT-OFF VALVE		ACID RESISTANT VENT
	RECESSED WALL OUTLET		ACID RESISTANT DRAINAGE ABOVE GRADE
	MEDICAL OXYGEN ABOVE GRADE		ACID RESISTANT DRAINAGE BELOW GRADE
	MEDICAL OXYGEN BELOW GRADE		ACID RESISTANT CLEANOUT
	MEDICAL AIR		ACID RESISTANT FLOOR DRAIN
	MEDICAL NITROUS OXIDE		ACID RESISTANT MANHOLE
	MEDICAL CARBON DIOXIDE		ANAESTHETIC GAS SCAVENGING SYSTEM
	MEDICAL NITROGEN		LABORATORY VACUUM
	MEDICAL HELIUM		LABORATORY AIR
	MEDICAL VACUUM		LABORATORY GAS
	HOSPITAL (MEDICAL) GRADE AIR		DENTAL AIR
	CHLORINE LINE		DENTAL VACUUM
	CHLORINE VENT		MURIATIC ACID LINE
	LIQUID NITROGEN		MURIATIC ACID VENT
	GAS OUTLET COUNTS ON HEADWALL/MEDICAL SERVICE UNIT. UP TO 7 GASSES AS APPLICABLE. FROM LEFT TO RIGHT WHEN FACING OUTLETS: O2, MA, N2O, CO2, N2, AGSS, MV		MEDICAL GAS ZONE VALVE AND AREA ALARM PANEL. UP TO 7 GASSES AS APPLICABLE: O2, MA, N2O, CO2, N2, AGSS, MV

NOTE: NOT ALL SYMBOLS APPLY, REFER TO FLOOR PLANS AND DRAWINGS

6 PLUMBING PIPING (MSD-012.05)

SYMBOL	DESCRIPTION	SYMBOL	DESCRIPTION
	CONTROL FLOW ROOF DRAIN SIZE AS NOTED REFER TO SPECIFICATION FOR TYPES		CONTROL FLOW ROOF DRAIN FROM ABOVE
	ROOF DRAIN SIZE AS NOTED REFER TO SPECIFICATION FOR TYPES		ROOF DRAIN FROM ABOVE
DRAIN: (REFER TO SPECIFICATION FOR DETAILS AND ADDITIONAL TYPES NOT LISTED BELOW)			
	FLOOR DRAIN SIZE AS NOTED REFER TO SPECIFICATION FOR TYPES		FLOOR DRAIN FROM ABOVE WITH TRAP
	FUNNEL FLOOR DRAIN SIZE AS NOTED REFER TO SPECIFICATION FOR TYPES		FUNNEL FLOOR DRAIN FROM ABOVE WITH TRAP
	HUB DRAIN SIZE AS NOTED REFER TO SPECIFICATION FOR TYPES		HUB DRAIN FROM ABOVE WITH TRAP
	PROMENADE DRAIN SIZE AS NOTED REFER TO SPECIFICATION FOR TYPES		PLANTER DRAIN FROM ABOVE WITH TRAP
	PLENUM FLOOR DRAIN SIZE AS NOTED REFER TO SPECIFICATION FOR TYPES		PLENUM FLOOR DRAIN FROM ABOVE WITH TRAP
	CORNER SCUPPER DRAIN SIZE AS NOTED REFER TO SPECIFICATION FOR TYPES		
	WALL SCUPPER DRAIN SIZE AS NOTED REFER TO SPECIFICATION FOR TYPES		
	MAINTENANCE HOLE		
	MAINTENANCE HOLE CATCH BASIN		
	CATCH BASIN		
	CIRCULAR EXTERIOR AREA DRAIN		
	SQUARE EXTERIOR AREA DRAIN		

NOTE: NOT ALL SYMBOLS APPLY, REFER TO FLOOR PLANS AND DRAWINGS

3 SANITARY AND STORM SYMBOLS AND ABBREVIATIONS (MSD-012.02)

SYMBOL	DESCRIPTION	SYMBOL	DESCRIPTION
	VENT		HORIZONTAL CLEANOUT ABOVE GRADE
	SANITARY ABOVE GRADE OR FLOOR		HORIZONTAL CLEANOUT BELOW GRADE
	SANITARY BELOW GRADE OR FLOOR		GREASE INTERCEPTOR ABOVE GRADE
	STORM ABOVE GRADE OR FLOOR		GREASE INTERCEPTOR BELOW GRADE
	STORM BELOW GRADE OR FLOOR		INDIRECT DRAIN (CONDENSATE, ETC.)
	PUMP STORM DISCHARGE		
	PUMP SANITARY DISCHARGE		RUNNING TRAP ABOVE GRADE OR FLOOR
	GROUND WATER WEEPING TILE (SOLID PIPE)		RUNNING TRAP BELOW GRADE OR FLOOR
	GROUND WATER BELOW WEEPING TILE (PERFORATED - DASH PIPE)		UPTURNED CLEANOUT
	CLEANOUT IN RISER		HORIZONTAL CLEANOUT
	BACKWATER VALVE		
	STACK VENT		VENT STACK
	RAIN WATER LEADER		WASTE STACK
	SANITARY STACK		STAINLESS STEEL
	BACKWATER VALVE		

NOTE: NOT ALL SYMBOLS APPLY, REFER TO FLOOR PLANS AND DRAWINGS

4 SANITARY AND STORM SYMBOLS AND ABBREVIATIONS (MSD-012.03)

MECHANICAL DRAWING LIST		
Sheet Number	Sheet Title	Scale
GENERAL		
M000	DRAWING LIST AND LEGEND	N.T.S.
M001	MECHANICAL STANDARD DETAILS	N.T.S.
M002	MECHANICAL STANDARD DETAILS	N.T.S.
M003	MECHANICAL STANDARD DETAILS	1:100
M004	MECHANICAL STANDARD DETAILS	1:100
M005	MECHANICAL STANDARD DETAILS	1:100
SITE PLAN		
M100	SITE PLAN MECHANICAL	1:200
SCHEMATICS AND DIAGRAMS		
M200	MECHANICAL SCHEMATICS	N.T.S.
M201	PLUMBING SCHEMATICS	N.T.S.
PLUMBING AND DRAINAGE		
M300	FOUNDATION PLAN PLUMBING AND DRAINAGE	1:100
M301	GROUND FLOOR PLAN PLUMBING AND DRAINAGE	1:100
M302	SECOND FLOOR PLAN PLUMBING AND DRAINAGE	1:100
M303	ROOF PLAN PLUMBING AND DRAINAGE	1:100
H.V.A.C.		
M401	GROUND FLOOR PLAN HVAC	1:100
M402	SECOND FLOOR PLAN HVAC	1:100
M403		
KITCHEN LAYOUT		
M501	GROUND FLOOR PLAN KITCHEN PLUMBING AND DRAINAGE	1:50
M502	GROUND FLOOR PLAN KITCHEN HVAC	1:50

1 MECHANICAL DRAWING LIST

SYMBOL	DESCRIPTION	SYMBOL	DESCRIPTION
	DETAIL NUMBER		SECTION NUMBER
	DRAWING NUMBER		DRAWING NUMBER
	REVISION NUMBER		REVISION BUBBLE
	ROUGH IN ONLY		NORMALLY OPEN
	ROUGH IN AND CONNECT		NORMALLY CLOSED
	ACCESS DOOR		STAINLESS STEEL
	UNDERTCUT		
	PIPING SERVICE CONTINUES		ELBOWS
	REFER TO STANDARD DETAIL DRAWINGS FOR ADDITIONAL REQUIREMENTS OF EQUIPMENT NOTED		TEE
	EQUIPMENT/PIPING/DUCTWORK SHOWN DASHED BELOW		BRANCH OFF BOTTOM OF MAIN
	PIPING INTERSECTS PIPING BELOW		BRANCH OFF TOP OF MAIN
	PIPE DROP OR FROM BELOW		DIRECTION OF FLOW
	PIPE UP OR FROM ABOVE		CONNECT TO EXISTING
	CAPPED CONNECTION		CONNECT TO EXISTING
	THRUST BLOCK		
	GAS METER		

NOTE: NOT ALL SYMBOLS APPLY, REFER TO FLOOR PLANS AND DRAWINGS

2 GENERAL AND SITE PLAN SYMBOLS AND ABBREVIATIONS (MSD-012.01)

Contractor must check and verify all dimensions on the job, and report any discrepancies to the Architect before proceeding with the work. Do not scale this drawing.

REVISIONS AND ISSUES			
REV	DESCRIPTION	DATE	BY
1	ISSUED FOR TENDER	2021.08.25	
2	ISSUED FOR PERMIT	2021.09.09	
3	RE-ISSUED FOR TENDER AND PERMIT	2022.01.31	
4	ISSUED FOR CONSTRUCTION	2022.07.15	
5			
6			
7			
8			

MJMA
maclennan jaunkains miller architects
425 adelade street west level 6
toronto ontario m5v 3c1
416 593 6796
www.mjmaarchitects.com

TRITON ENGINEERING SERVICES LTD
CIVIL ENGINEERS
18 ROBB BOULEVARD - UNIT 8
ORANGEVILLE, ONTARIO
TEL 519 941 0330 FAX 519 941 1830

BLACKWELL
STRUCTURAL ENGINEERS
134 PETER STREET, SUITE 1301
TORONTO, ONTARIO, M5V 2H2
TEL 416-593-5300 FAX 416-593-4840

SMITH + ANDERSON
MECHANICAL AND ELECTRICAL ENGINEERS
1100 - 100 SHEPPARD AVENUE EAST
TORONTO, ONTARIO, M2N 6N5
TEL 416-487-8151

Smith + Andersen
1100 - 100 Sheppard Ave. East, Toronto On, M2N 6N5
416 487 8151 f 416 487 8104 www.smithanderson.com

SAYERS FOOD LIMITED
132 BURLEIGH STREET
t: 705.656.4531
e: sayers@apsley.ca

--	--

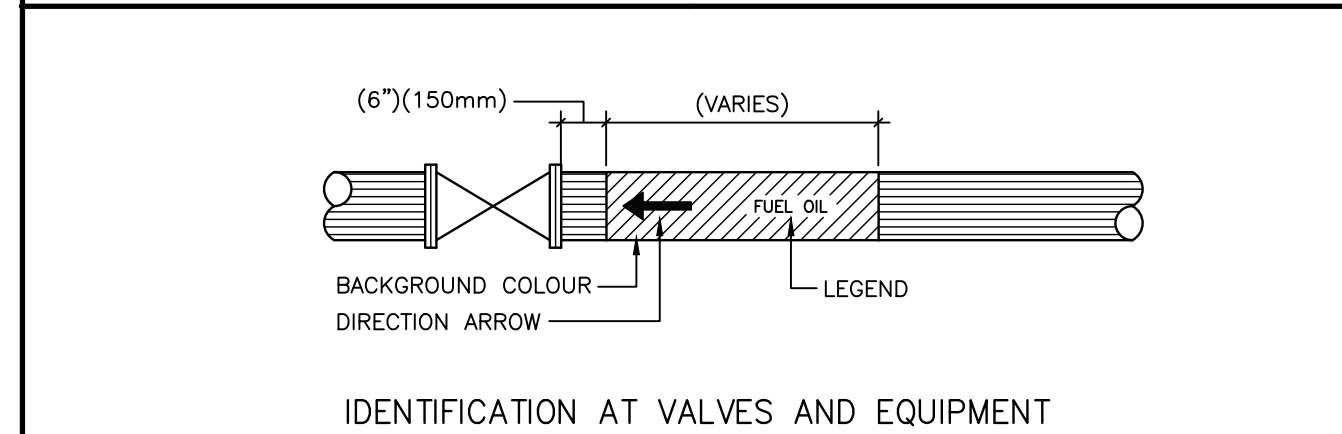
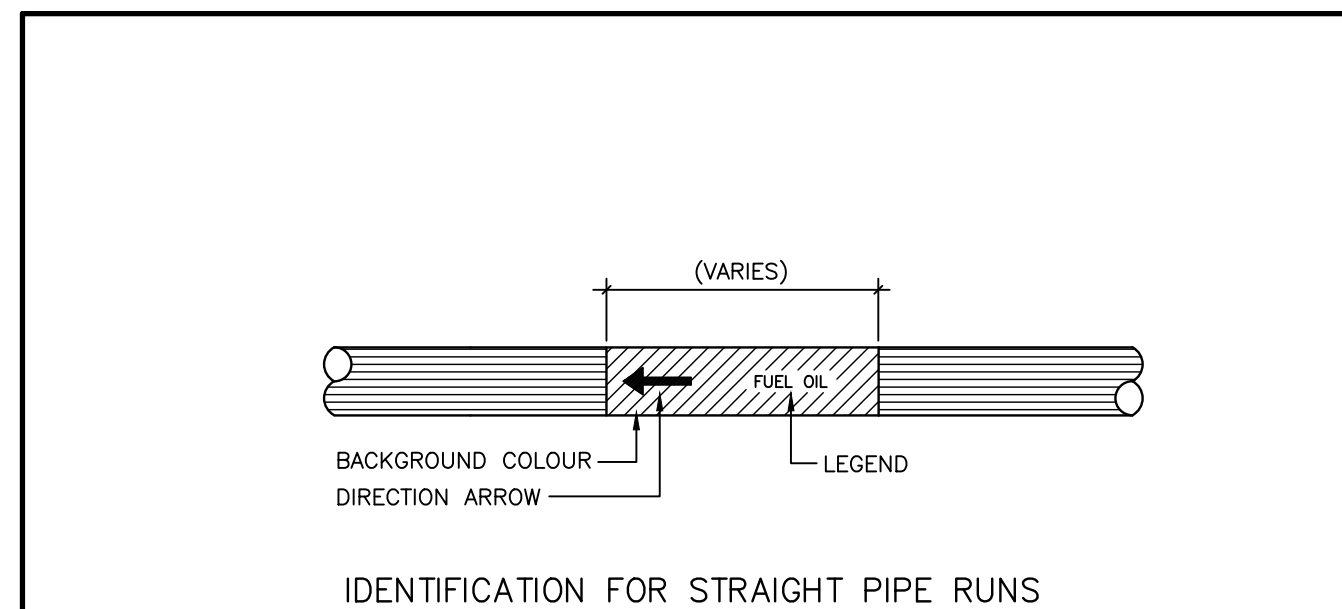
PROJECT TITLE
**NEW SAYERS FOOD STORE
BURLEIGH STREET, APSLEY**

DRAWING TITLE
DRAWING LIST AND LEGEND

SCALE
N.T.S.
DATE
JUNE 16, 2021

PROJECT NUMBER
21376
DRAWING NUMBER

M000



MATERIAL CLASSIFICATION	BACKGROUND COLOUR
HAZARDOUS	YELLOW, 505-101
INHERENTLY LOW HAZARD	GREEN, 505-107
FIRE PROTECTION	RED, 509-102
MATERIAL CLASSIFICATION	LEGEND COLOUR
HAZARDOUS	BLACK, 512-101
INHERENTLY LOW HAZARD	WHITE, 513-101
FIRE PROTECTIONS	WHITE, 513-101

7 M001 PIPE IDENTIFICATION (MSD-058.01)

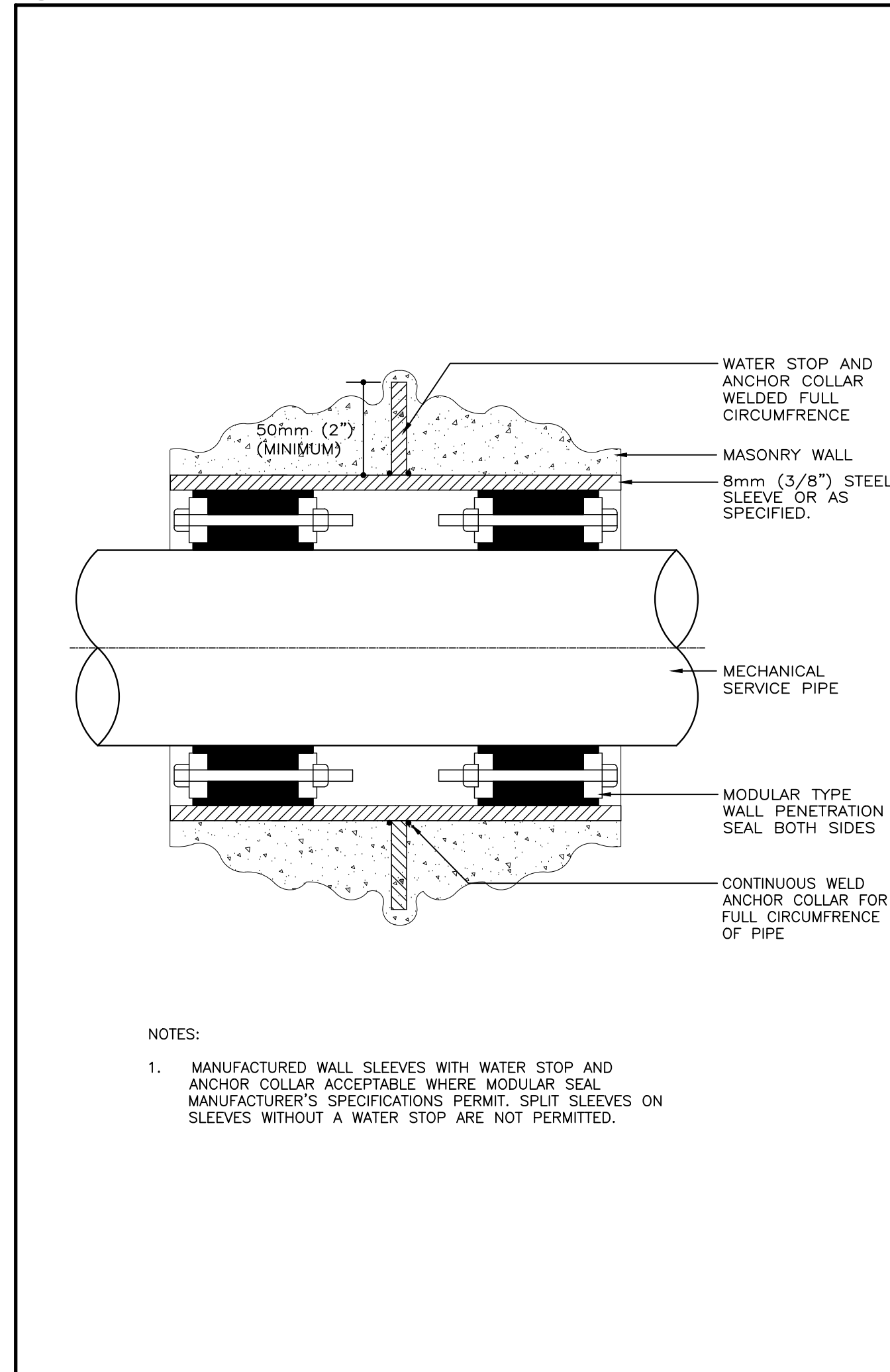
PIPE MARKER LEGEND	VALVE TAG LEGEND	BACKGROUND COLOUR	LEGEND COLOUR
DOMESTIC COLD WATER	DCW	GREEN	WHITE
DISTILLED WATER	DI.W.	GREEN	WHITE
DEMINERALIZED WATER	DE.W.	GREEN	WHITE
CONDENSER WATER SUPPLY	CS	GREEN	WHITE
CONDENSER WATER RETURN	CR	GREEN	WHITE
CHILLED WATER SUPPLY	CHS	GREEN	WHITE
CHILLED WATER RETURN	CHR	GREEN	WHITE
CHILLED DRINKING WATER	CDW	GREEN	WHITE
DOMESTIC HOT WATER	DHW	GREEN	WHITE
DOMESTIC HOT WATER RECIRCULATION	DHWR	GREEN	WHITE
HOT WATER HEATING SUPPLY UP TO 250°F (120°C)	HWS	YELLOW	BLACK
HOT WATER HEATING RETURN UP TO 250°F (120°C)	HWR	YELLOW	BLACK
HIGH TEMPERATURE WATER SUPPLY ABOVE 250°F (120°C)	HTWS	YELLOW	BLACK
HIGH TEMPERATURE WATER RETURN ABOVE 250°F (120°C)	HTWR	YELLOW	BLACK
BOILER FEED WATER	BFW	YELLOW	BLACK
STEAM 15 PSI (100 KPA) AND LOWER	S-15	YELLOW	BLACK
STEAM ABOVE 15 PSI (100 KPA)	S-#(PSI)	YELLOW	BLACK
VENT (STEAM, ETC.)		YELLOW	BLACK
NATURAL GAS	N.G.	YELLOW	BLACK
DEIONIZED WATER	D.I.W.	GREEN	WHITE
R.O. WATER	R.O.W.	GREEN	WHITE
NITROGEN	N	BLUE	WHITE

8 M001 PIPE IDENTIFICATION (MSD-058.02)

SYMBOL	DESCRIPTION	SYMBOL	DESCRIPTION
FC-12-01	EQUIPMENT DESIGNATION FLOOR NUMBER SEQUENTIAL NUMBER	SL-AHU2-01-S01	DESIGNATION EQUIPMENT DESIGNATION SILENCER TAG
UH-01	TYPICAL EQUIPMENT DESIGNATION SEQUENTIAL NUMBER		
AC	SPLIT SYSTEM AIR CONDITIONING UNIT (REFER TO CU BELOW)	RF	RETURN FAN
ACH	AIR CURTAIN HEATER	RP	RADIANT PANEL
AFS	AIR FLOW STATION	RTU	ROOF TOP UNIT
AHU	AIR HANDLING UNIT	SCAC	SELF CONTAINED AIR CONDITIONING UNIT
SL	SILENCERS (TO BE READ IN CONJUNCTION WITH ASSOCIATED AIR HANDLING UNIT)	SF	SUPPLY
B	BOILER	TF	TRANSFER FAN
CH	CHILLER	UH	UNIT HEATER
CRU	COMPUTER ROOM AIR CONDITIONING UNIT	VHP	VERTICAL HEAT PUMP
CT	COOLING TOWER	VFC	VERTICAL FAN COIL
CUH	CABINET UNIT HEATER		
CU	CONDENSING UNIT		
DHWT	DOMESTIC HOT WATER TANK		
DHWH	DOMESTIC HOT WATER HEATER		
EF	EXHAUST FAN		
ET	EXPANSION TANK		
EV	EVAPORATOR		
EW	ENTHALPY WHEEL		
FC	FLUID COOLER		
FCU	FAN COIL UNIT		
FFH	FORCE FLOW HEATER		
HE	HEAT EXCHANGER		
HHP	HORIZONTAL HEAT PUMP		
HU	HUMIDIFIER		
MUA	MAKEUP AIR UNIT		
P-	PUMP (GENERAL)		
P-HTG	HEATING WATER PUMP		
P-CLG	COOLING WATER PUMP		
P-FSP/FIRE	FIRE STANDPIPE PUMP/FIRE PUMP		
P-DW	DOMESTIC WATER PUMP		
P-SAN	SANITARY PUMP		
P-STM	STORM PUMP		
P-SMP	SUMP PUMP		
P-DHWR	DOMESTIC HOT WATER RECIRC PUMP		
P-FO	FUEL OIL PUMP		
P-CHEM	CHEMICAL FEED PUMP		
P-CHW	CHILLED WATER PUMP		
P-CON	CONDENSER WATER PUMP		

NOTE: NOT ALL SYMBOLS APPLY. REFER TO FLOOR PLANS AND DRAWINGS

5 M001 MECHANICAL EQUIPMENT NOMENCLATURE CONVENTION (MSD-012.12)



6 M001 PENETRATION THROUGH FOUNDATION WALL (MSD-052.02)

SYMBOL	DESCRIPTION	SYMBOL	DESCRIPTION
[Symbol]	SUPPLY DUCT UP OR FROM ABOVE	[Symbol]	ACOUSTICALLY LINED TRANSFER AIR DUCT
[Symbol]	SUPPLY DUCT DOWN OR FROM BELOW	[Symbol]	SILENCER
[Symbol]	RETURN OR EXHAUST DUCT UP OR FROM ABOVE	[Symbol]	CROSSTALK SILENCER
[Symbol]	RETURN OR EXHAUST DUCT DOWN OR FROM BELOW	[Symbol]	DUCT WITH MINIMUM CLEARANCE FIRE RATED ENCLOSURE
[Symbol]	ROUND DUCT UP OR FROM ABOVE	[Symbol]	DUCT WITH SLEEVE, INSULATION AND DAMPER
[Symbol]	ROUND DUCT DOWN OR FROM BELOW	[Symbol]	CAPPED CONNECTION
[Symbol]	ACOUSTIC LINED DUCT	[Symbol]	INSULATION DUCT
[Symbol]	FLEXIBLE CONNECTION	[Symbol]	RISE IN DUCT
[Symbol]	SQUARE ELBOW DUCT WITH TURNING VANE	[Symbol]	DROP IN DUCT
[Symbol]	RADIUS ELBOW WITH TURNING VANES	[Symbol]	SOUND Baffle
[Symbol]	AXIAL FAN/INLINE FAN MIXED FLOW OR CENTRIFUG	[Symbol]	PROPELLER FAN WITH PROTECTIVE SCREEN
[Symbol]	DIFFUSER GRILLE OR REGISTER TYPE	[Symbol]	CENTRIFUGAL FAN (ONLY IN SCHEMATIC)
[Symbol]	NECK OR FACE SIZE (MM)	[Symbol]	IMPERIAL: CFM[INS.] METRIC: L/s[mm]
[Symbol]	AIR FLOW (L/S)	[Symbol]	NECK SIZE AND LINEAR DIFFUSER LENGTH (MM)
[Symbol]	ROUND SUPPLY DIFFUSER	[Symbol]	LINEAR SUPPLY AIR DIFFUSER C/W FLEXIBLE DUCT
[Symbol]	DUCTED RETURN OR EXHAUST REGISTER OR GRILLE	[Symbol]	LIGHT TROFFER DIFFUSER TOP INLET C/W FLEXIBLE DUCT
[Symbol]	SQUARE OR RECTANGULAR DIFFUSER	[Symbol]	LIGHT TROFFER DIFFUSER SIDE INLET C/W FLEXIBLE DUCT
[Symbol]	NON DUCTED RETURN OR EXHAUST GRILLE	[Symbol]	DUCT MOUNTED SUPPLY OR RETURN GRILLE
[Symbol]	NON DUCTED ROUND RETURN OR EXHAUST GRILLE	[Symbol]	LINEAR SUPPLY OR RETURN GRILLE
[Symbol]	SQUARE PLAQUE DIFFUSER	[Symbol]	SPIN-IN CONNECTION C/W BALANCING DAMPER AND FLEX DUCT
[Symbol]	DIFFUSERS WITH BLANK-OFF PORTION (QTY SHOWN)	[Symbol]	SPIN-IN CONNECTION C/W BALANCING DAMPER AND RIGID DUCT

NOTE: NOT ALL SYMBOLS APPLY. REFER TO FLOOR PLANS AND DRAWINGS

3 M001 AIR HANDLING SYMBOLS (MSD-012.10)

SYMBOL	DESCRIPTION	SYMBOL	DESCRIPTION
[Symbol]	POWER REQUIREMENT FOR ELECTRIC TRACING	P.E.	PNEUMATIC-ELECTRIC
[Symbol]	ELECTRIC PIPE DEVICE FOR SINGLE LINE PIPES	[C]	CONTROLLER
[Symbol]	ELECTRIC PIPE DEVICE FOR DOUBLE LINE PIPES	[TS]	TEMPERATURE SENSOR
M.C.C.	MOTOR CONTROL CENTRE	[HS]	HUMIDITY SENSOR
[Symbol]	D.S. DISCONNECT SWITCH	[BAS]	POWER OUTLET FOR B.A.S.
[Symbol]	SWITCH (MANUAL STARTER)	[Symbol]	AIR FLOW MONITORING STATION
H.O.A.	HAND-OFF-AUTO	[S]	STATIC
[FZ]	LOW TEMPERATURE THERMOSTAT	[VFD]	VARIABLE FREQUENCY DRIVE
[FS]	HIGH TEMPERATURE THERMOSTAT	[CO]	CARBON MONOXIDE SENSOR
[T]	ELECTRIC THERMOSTAT/SENSOR	[RS]	REFRIGERANT SENSOR
[T]	PNEUMATIC THERMOSTAT/SENSOR	[CO2]	CARBON DIOXIDE SENSOR
[BAS]	BASE BUILDING AUTOMATION SYSTEM	[NO2]	NITROGEN OXIDE SENSOR
[Fa]	FLOW SWITCH	[A.F.S.]	AIR FLOW STATION
[S]	SPEED SWITCH	[PS]	PRESSURE SENSOR
[Symbol]	FLOW MONITORING WATER		

NOTE: NOT ALL SYMBOLS APPLY. REFER TO FLOOR PLANS AND DRAWINGS

4 M001 ELECTRICAL AND CONTROLS SYMBOLS AND ABBREVIATIONS (MSD-012.11)

SYMBOL	DESCRIPTION	SYMBOL	DESCRIPTION
[Symbol]	HEATING WATER SUPPLY	[Symbol]	FUEL OIL SUPPLY
[Symbol]	HEATING WATER RETURN	[Symbol]	FUEL OIL RETURN
[Symbol]	CHILLED WATER SUPPLY	[Symbol]	EMERGENCY FUEL OIL VENT
[Symbol]	CHILLED WATER RETURN	[Symbol]	FUEL OIL VENT
[Symbol]	GLYCOL SUPPLY	[Symbol]	FUEL OIL FILL
[Symbol]	GLYCOL RETURN	[Symbol]	PUMPED STEAM CONDENSATE
[Symbol]	GLYCOL HEATING SUPPLY	[Symbol]	REFRIGERATION SUCTION
[Symbol]	GLYCOL HEATING RETURN	[Symbol]	REFRIGERATION LIQUID
[Symbol]	GLYCOL COOLING SUPPLY	[Symbol]	REFRIGERATION HOT GAS
[Symbol]	GLYCOL COOLING RETURN	[Symbol]	DUAL TEMPERATURE SUPPLY
[Symbol]	CONDENSER WATER SUPPLY	[Symbol]	DUAL TEMPERATURE RETURN
[Symbol]	CONDENSER WATER RETURN	[Symbol]	BUCKET TYPE STEAM TRAP
[Symbol]	LOW PRESSURE STEAM	[Symbol]	FLOAT AND THERMOSTAT TYPE STEAM TRAP
[Symbol]	MEDIUM PRESSURE STEAM	[Symbol]	STEAM VACUUM BREAKER
[Symbol]	HIGH PRESSURE STEAM	[Symbol]	REFRIGERATION THERMAL EXPANSION VALVE
[Symbol]	LOW PRESSURE CONDENSATE	[Symbol]	REFRIGERATION SOLENOID LIQUID VALVE
[Symbol]	MEDIUM PRESSURE CONDENSATE	[Symbol]	REFRIGERATION FILTER DRYER
[Symbol]	HIGH PRESSURE CONDENSATE	[Symbol]	6 WAY CONTROL VALVE ELECTRIC
[Symbol]	2 WAY CONTROL VALVE	[Symbol]	6 WAY CONTROL VALVE TYPE 1
[Symbol]	3 WAY CONTROL VALVE		

NOTE: NOT ALL SYMBOLS APPLY. REFER TO FLOOR PLANS AND DRAWINGS

1 M001 MECHANICAL PIPING (MSD-012.08)

SYMBOL	DESCRIPTION	SYMBOL	DESCRIPTION
[Symbol]	FIRE DAMPER	[Symbol]	SMOKE DAMPER
[Symbol]	MOTOR OPERATED DAMPER	[Symbol]	POSITIVE SEAL DAMPER
[Symbol]	MANUAL DAMPER	[Symbol]	GRAVITY OR BACKDRAFT DAMPER
[Symbol]	BALANCING DAMPER	[Symbol]	SPLITTER DAMPER
[Symbol]	COMBINATION SMOKE AND FIRE DAMPER	[Symbol]	REMOTE OPERATED BALANCING DAMPER
[Symbol]	VOLUME EXTRACTOR		
V.A.V. AND F.P.V.A.V. TAG			
[Symbol]	V.A.V. BOX TYPE	[Symbol]	FAN POWERED BOX C/W RETURN AIR RETURN AIR
[Symbol]	V.A.V. BOX WITH ATTENUATOR	[Symbol]	INDUCTION V.A.V. BOX
[Symbol]	V.A.V. BOX WITH REHEAT COIL	[Symbol]	PRESSURE INDEPENDENT AIR VALVE
[Symbol]	V.A.V. BOX WITH REHEAT COIL AND ATTENUATOR		
HEATING ELEMENT TAG			
[Symbol]	HEATING CAPACITY	[Symbol]	DUCT COIL
[Symbol]	ACTIVE ELEMENT LENGTH	[Symbol]	RADIATION HEATING RISER NUMBERS (S=SUPPLY AND R=RETURN)
[Symbol]	ENCLOSURE TYPE	[Symbol]	WALL FIN ELEMENT IN CONTINUOUS ENCLOSURE
[Symbol]	HORIZONTAL UNIT HEATER		
[Symbol]	DOWN BLAST UNIT HEATER		
[Symbol]	RADIANT HEATING PANEL		

NOTE: NOT ALL SYMBOLS APPLY. REFER TO FLOOR PLANS AND DRAWINGS

2 M001 AIR HANDLING SYMBOLS (MSD-012.09)

Contractor must check and verify all dimensions on the job, and report any discrepancies to the Architect before proceeding with the work. Do not scale this drawing.

REVISIONS AND ISSUES

REV	DESCRIPTION	DATE	BY
1	ISSUED FOR TENDER	2021.08.25	
2	ISSUED FOR PERMIT	2021.09.09	
3	RE-ISSUED FOR TENDER AND PERMIT	2022.01.31	
4	ISSUED FOR CONSTRUCTION	2022.07.15	
5			
6			
7			
8			

MJMA
maclennan jaunkains miller architects
425 adelade street west level 6
toronto ontario m5v 3c1
416 593 6796
www.mjmaarchitects.com

TRITON ENGINEERING SERVICES LTD
CIVIL ENGINEERS
18 ROBB BOULEVARD - UNIT 8
ORANGEVILLE, ONTARIO
TEL 519 941 0330 FAX 519 941 1830

BLACKWELL
STRUCTURAL ENGINEERS
134 PETER STREET, SUITE 1301
TORONTO, ONTARIO, M5V 2H2
TEL 416-593-5300 FAX 416-593-4840

SMITH + ANDERSON
MECHANICAL AND ELECTRICAL ENGINEERS
1100 - 100 SHEPPARD AVENUE EAST
TORONTO, ONTARIO, M2N 6N5
TEL 416-487-8151

Smith + Andersen
1100 - 100 Sheppard Ave. East, Toronto On, M2N 6N5
416 487 8151 f 416 487 8104 smithanderson.com

SAYERS FOOD LIMITED

132 BURLINGHAM STREET
t: 705.656.4531
e: sayers@apsley.ca

NORTH ARROW SEAL

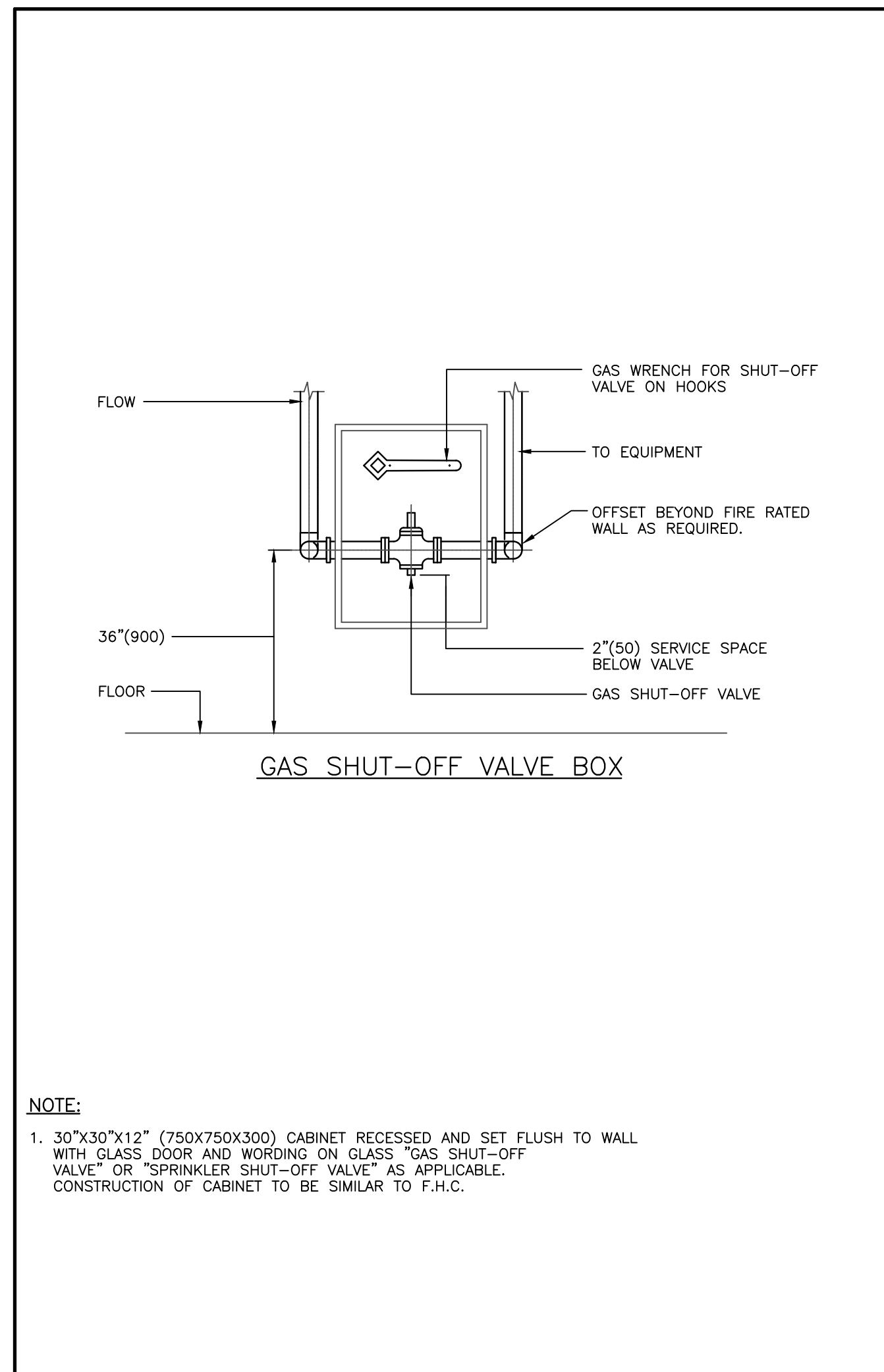
PROJECT TITLE
NEW SAYERS FOOD STORE
BURLINGHAM STREET, APSLEY

DRAWING TITLE
MECHANICAL STANDARD
DETAILS

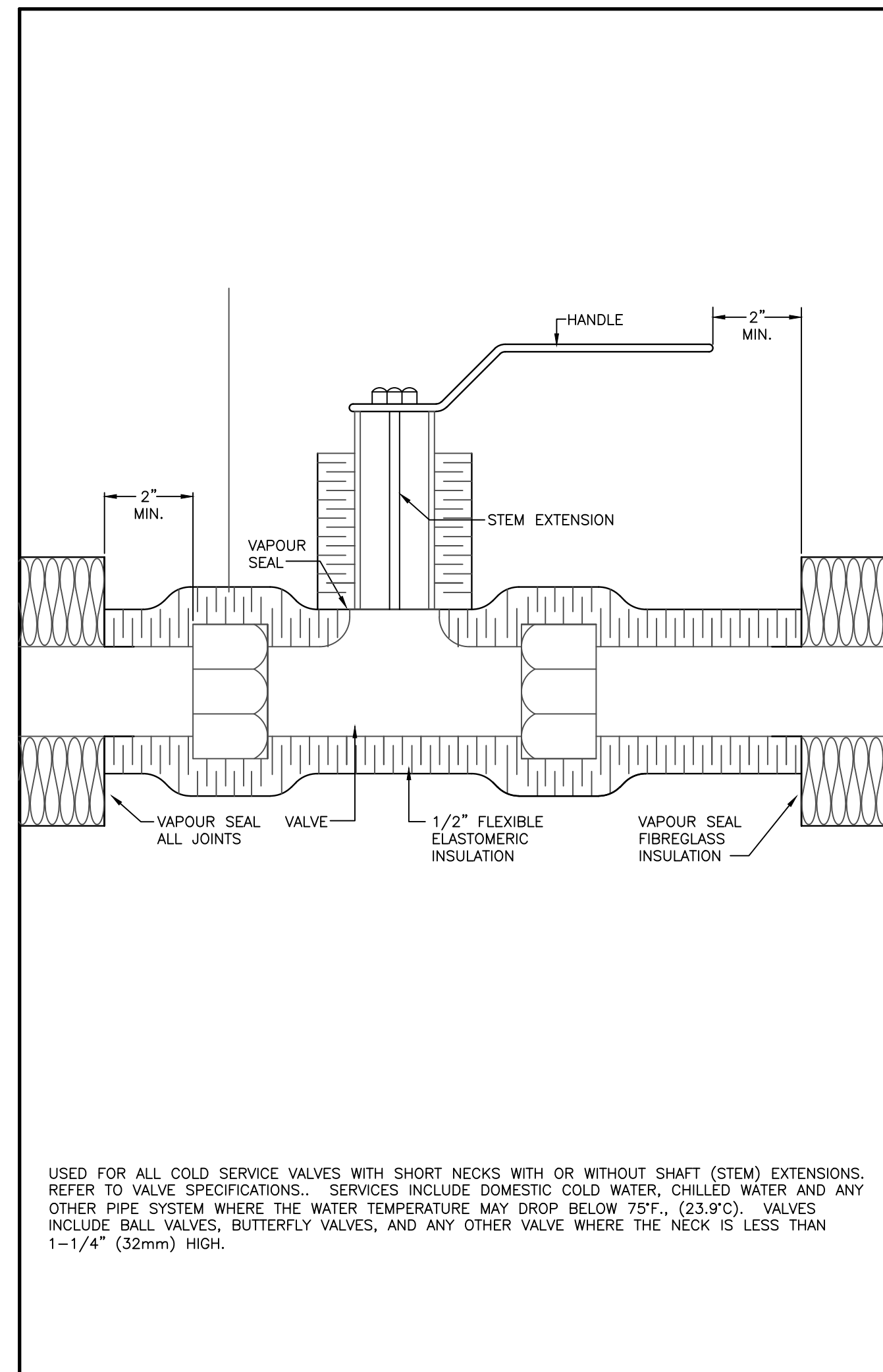
SCALE
N.T.S.
DATE
JUNE 16, 2021

PROJECT NUMBER
21376
DRAWING NUMBER

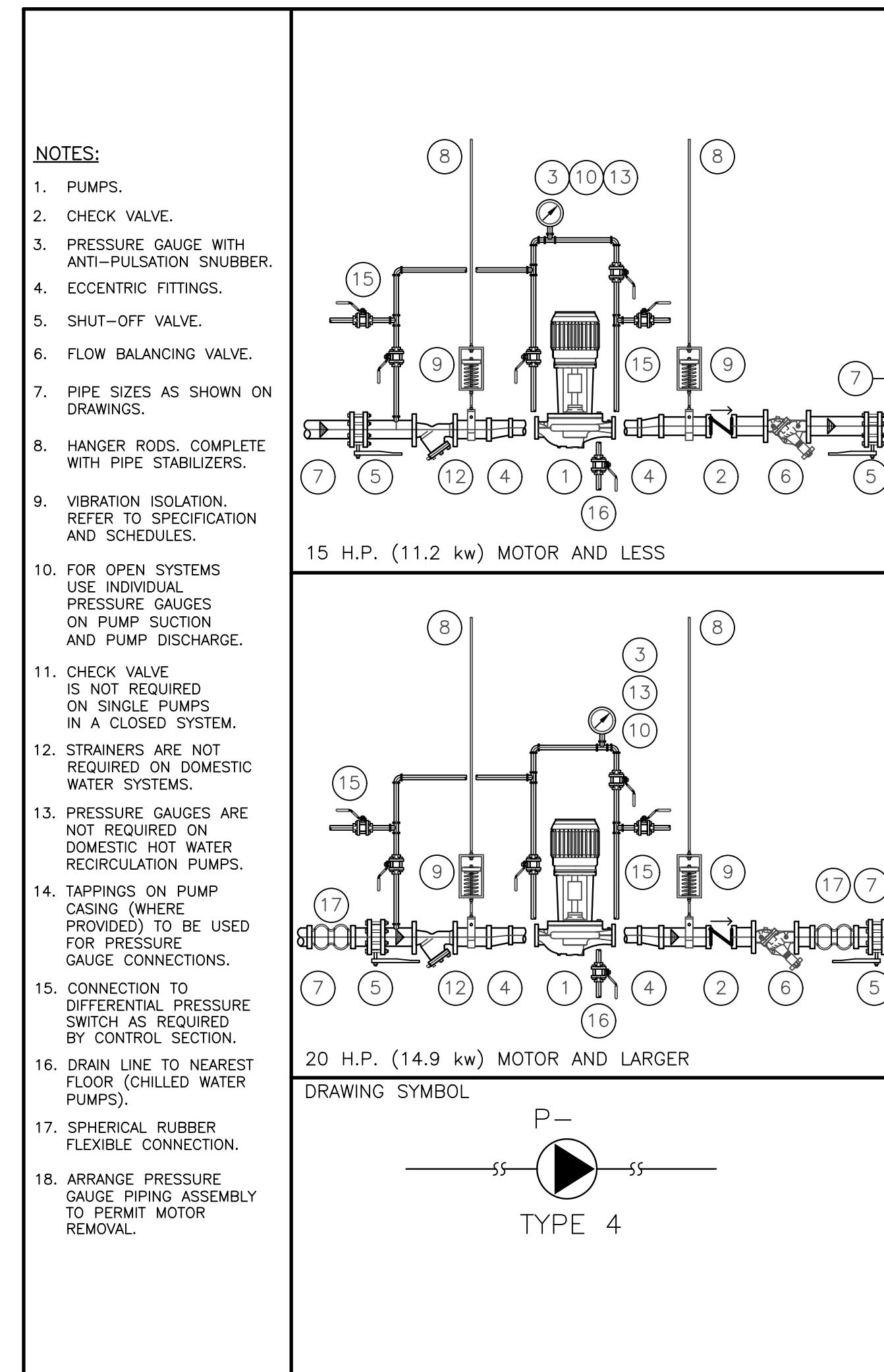
M001



7 SHUT-OFF VALVE BOX (MSD-350.01)



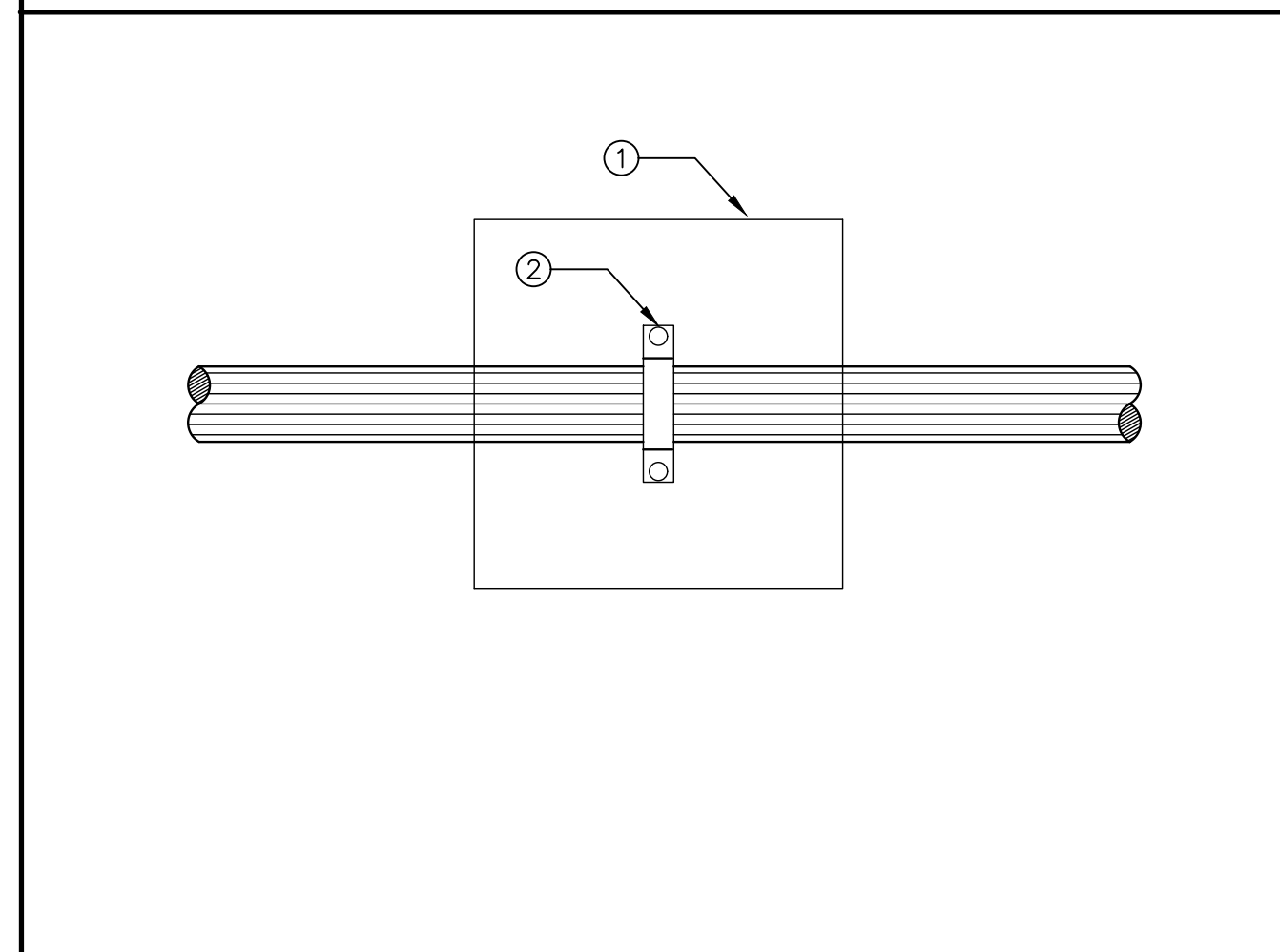
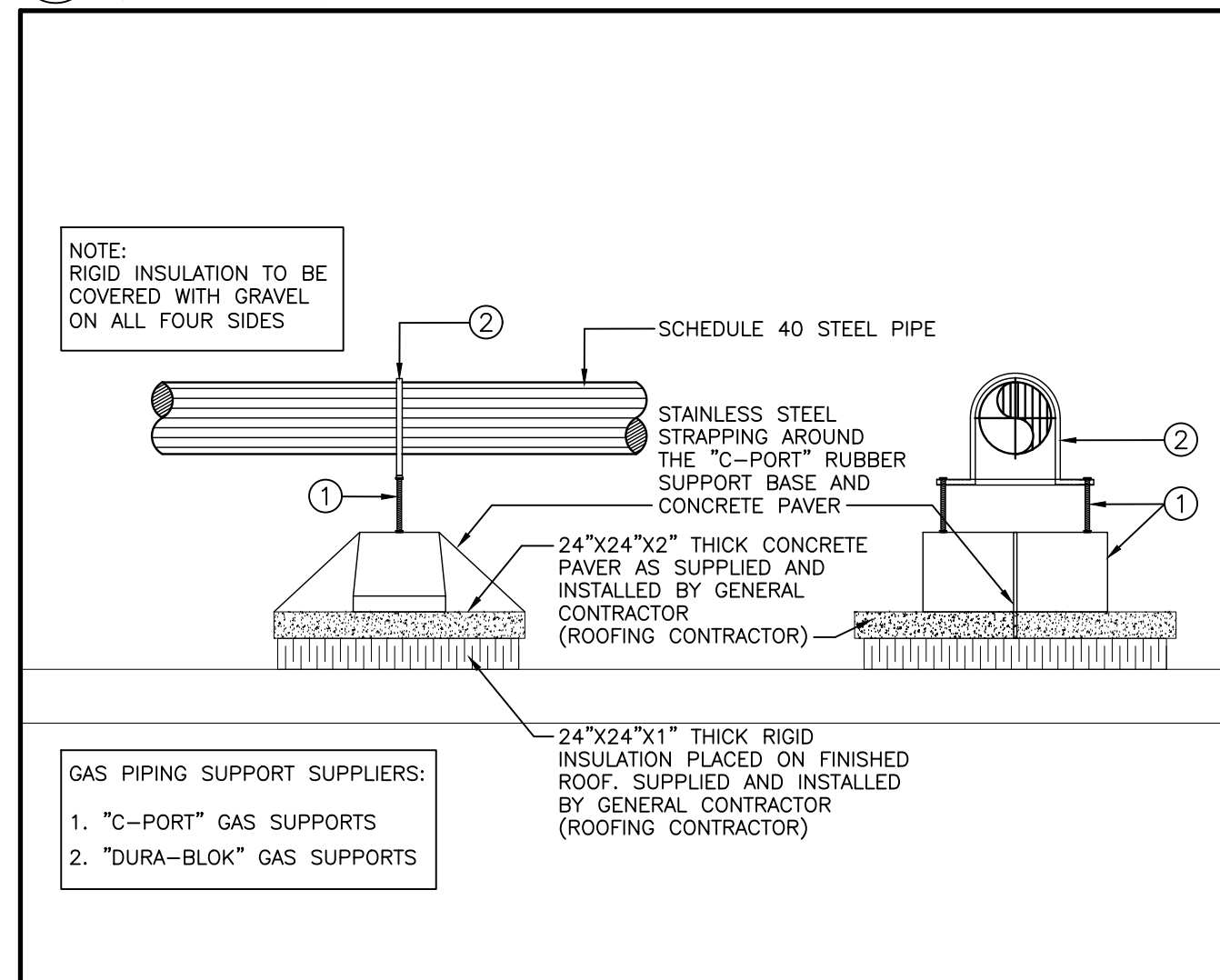
5 INSULATION AT COLD VALVES WITH SHORT NECKS (MSD-250.03)



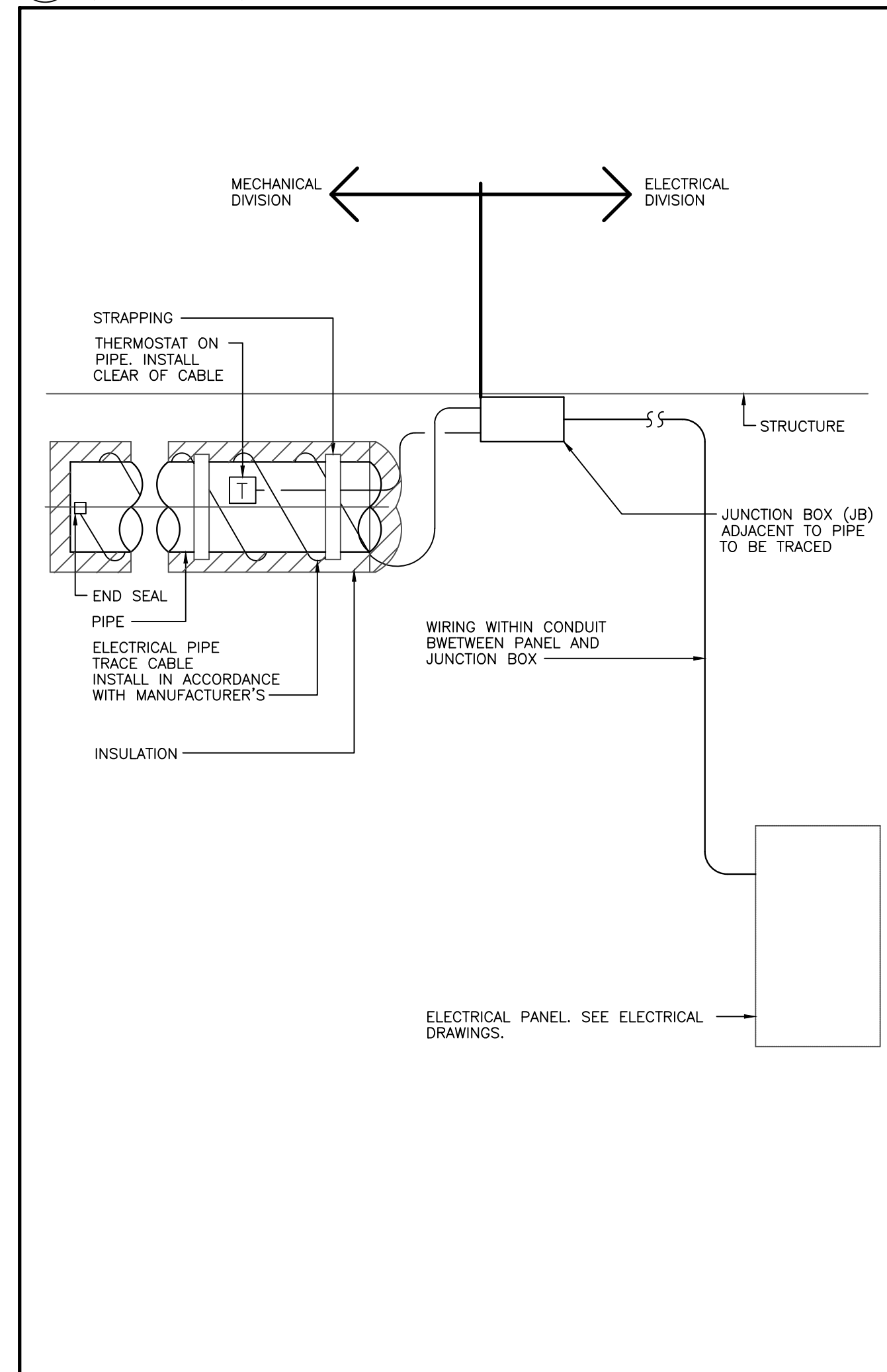
3 CEILING HUNG IN-LINE PUMPS TYPE 4 (MSD-141.04)

PIPE MARKER LEGEND	VALVE TAG LEGEND	BACKGROUND COLOUR	LEGEND COLOUR
CONDENSATE	COND.	YELLOW	BLACK
STORM DRAIN/SEWER		GREEN	WHITE
SANITARY DRAIN/SEWER		GREEN	WHITE
ACID DRAIN/VENT		YELLOW	BLACK
ISOTOPE DRAIN/VENT		YELLOW	BLACK
REFRIGERANT SUCTION	R.S.	YELLOW	BLACK
REFRIGERANT LIQUID	R.L.	YELLOW	BLACK
REFRIGERANT HOT GAS	R.H.G.	YELLOW	BLACK
ENGINE EXHAUST		YELLOW	BLACK
FUEL OIL	F.O.	YELLOW	BLACK
COMPRESSED AIR 100 P.S.I. (700 KPa) & LOWER	L.P.C.A.	GREEN	WHITE
COMPRESSED AIR OVER 100 PSI (700 KPa)	H.P.C.A.	YELLOW	BLACK
FIRE STANDPIPE	F.S.P.	RED	WHITE
SPRINKLER	SP	RED	WHITE
DRY SPRINKLER PIPE	DSP	RED	WHITE
CARBON DIOXIDE (FIRE PROTECTION)	CO ₂	RED	WHITE
VENT (PLUMBING)		GREEN	WHITE

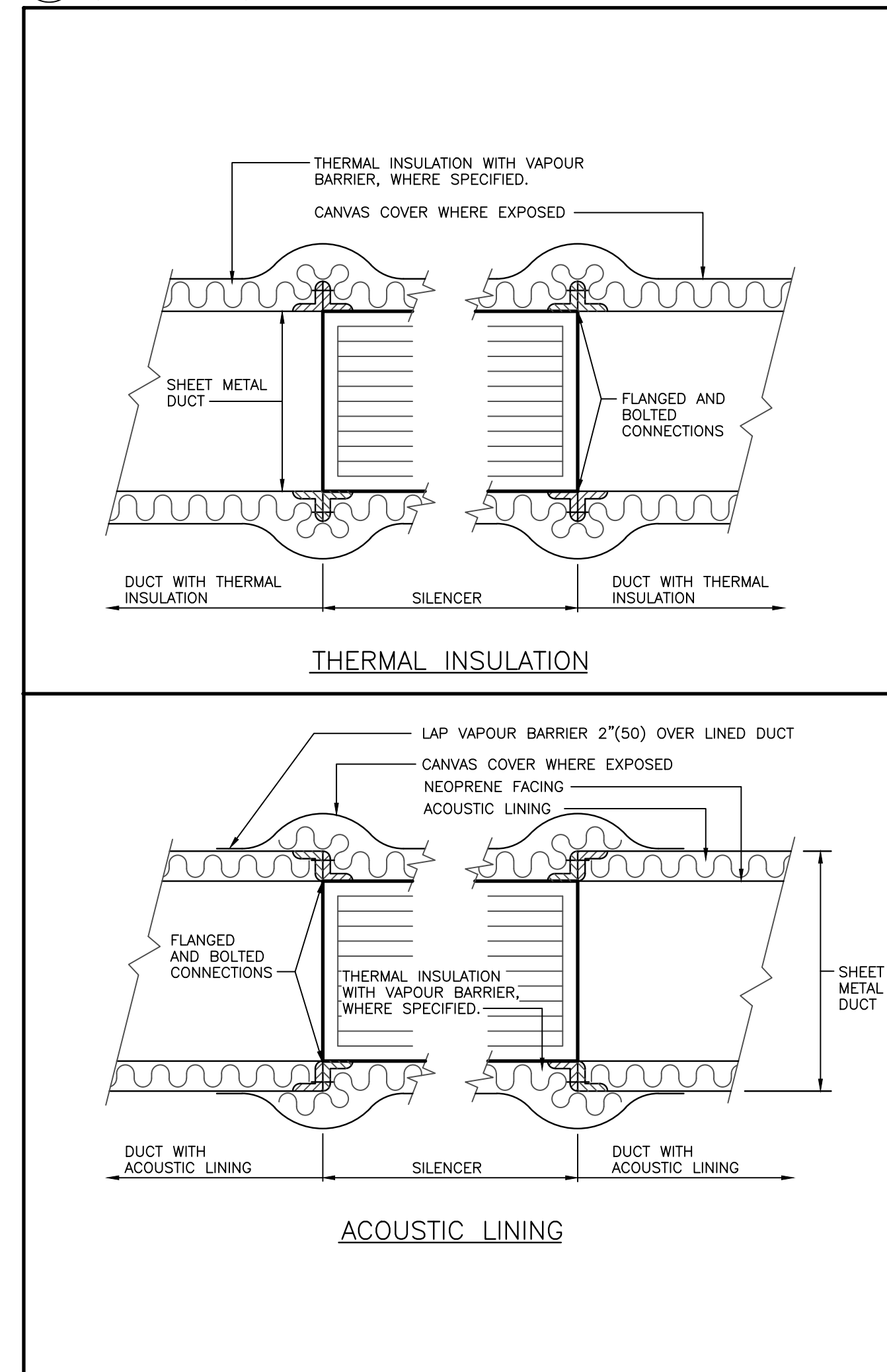
1 PIPE IDENTIFICATION (MSD-058.03)



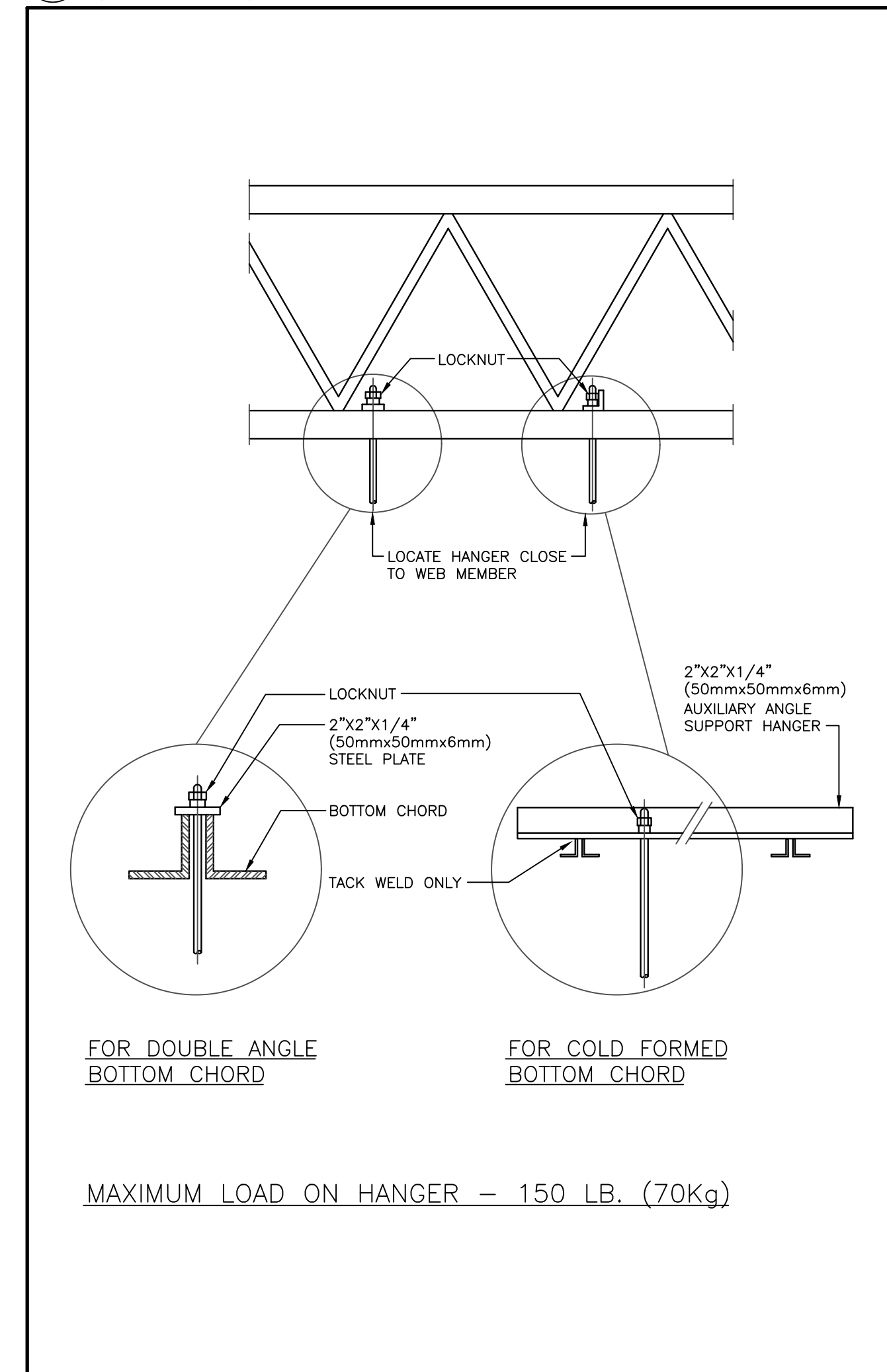
8 GAS PIPING ON ROOF (MSD-350.02)



6 ELECTRICAL PIPE TRACING (MSD-250.04)



4 SILENCER INSULATION (MSD-250.01)



2 JOIST HANGERS (MSD-094.01)

Contractor must check and verify all dimensions on the job, and report any discrepancies to the Architect before proceeding with the work. Do not scale this drawing.

REV	DESCRIPTION	DATE	BY
1	ISSUED FOR TENDER	2021.08.25	
2	ISSUED FOR PERMIT	2021.09.09	
3	RE-ISSUED FOR TENDER AND PERMIT	2022.01.31	
4	ISSUED FOR CONSTRUCTION	2022.07.15	
5			
6			
7			
8			

MJMA
maclennan jaunkains miller architects
425 adelade street west level 6
toronto ontario m5v 3c1
416 593 6796
www.mjmaarchitects.com

TRITON ENGINEERING SERVICES LTD
CIVIL ENGINEERS
18 ROBB BOULEVARD - UNIT 8
ORANGEVILLE, ONTARIO
TEL 519 941 0330 FAX 519 941 1830

BLACKWELL
STRUCTURAL ENGINEERS
134 PETER STREET, SUITE 1301
TORONTO, ONTARIO, M5V 2H2
TEL 416-593-5300 FAX 416-593-4840

SMITH + ANDERSON
MECHANICAL AND ELECTRICAL ENGINEERS
1100 - 100 SHEPPARD AVENUE EAST
TORONTO, ONTARIO, M2N 6N5
TEL 416-487-8151

Smith + Andersen
1100 - 100 Sheppard Ave. East, Toronto On, M2N 6N5
416 487 8151 f 416 487 8104 smthandanderson.com

SAYERS FOOD LIMITED
132 BURLEIGH STREET
t: 705.656.4531
e: sayers@apspley.ca

PROJECT TITLE
NEW SAYERS FOOD STORE
BURLEIGH STREET, APSLEY

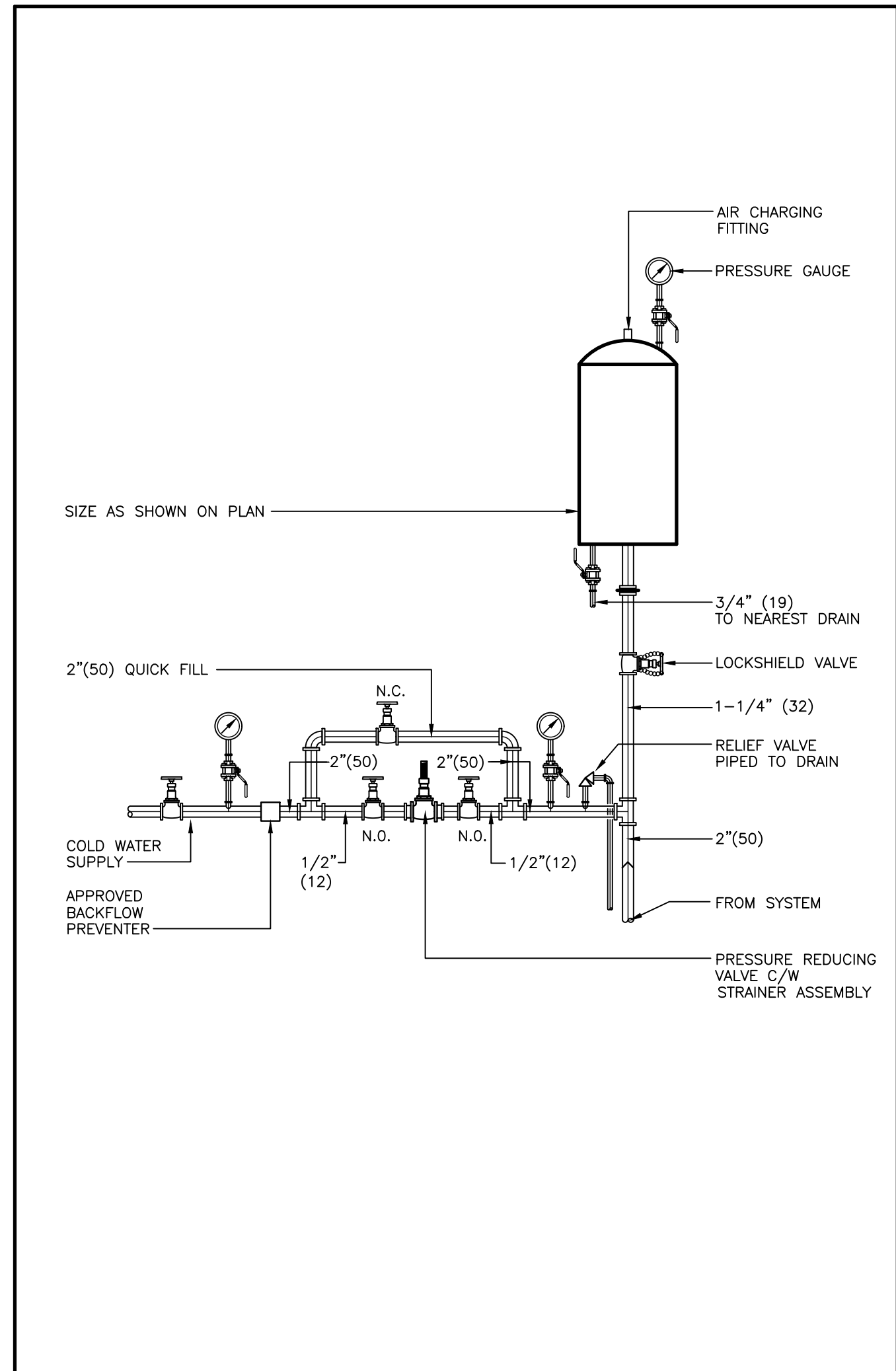
DRAWING TITLE
MECHANICAL STANDARD
DETAILS

SCALE
N.T.S.

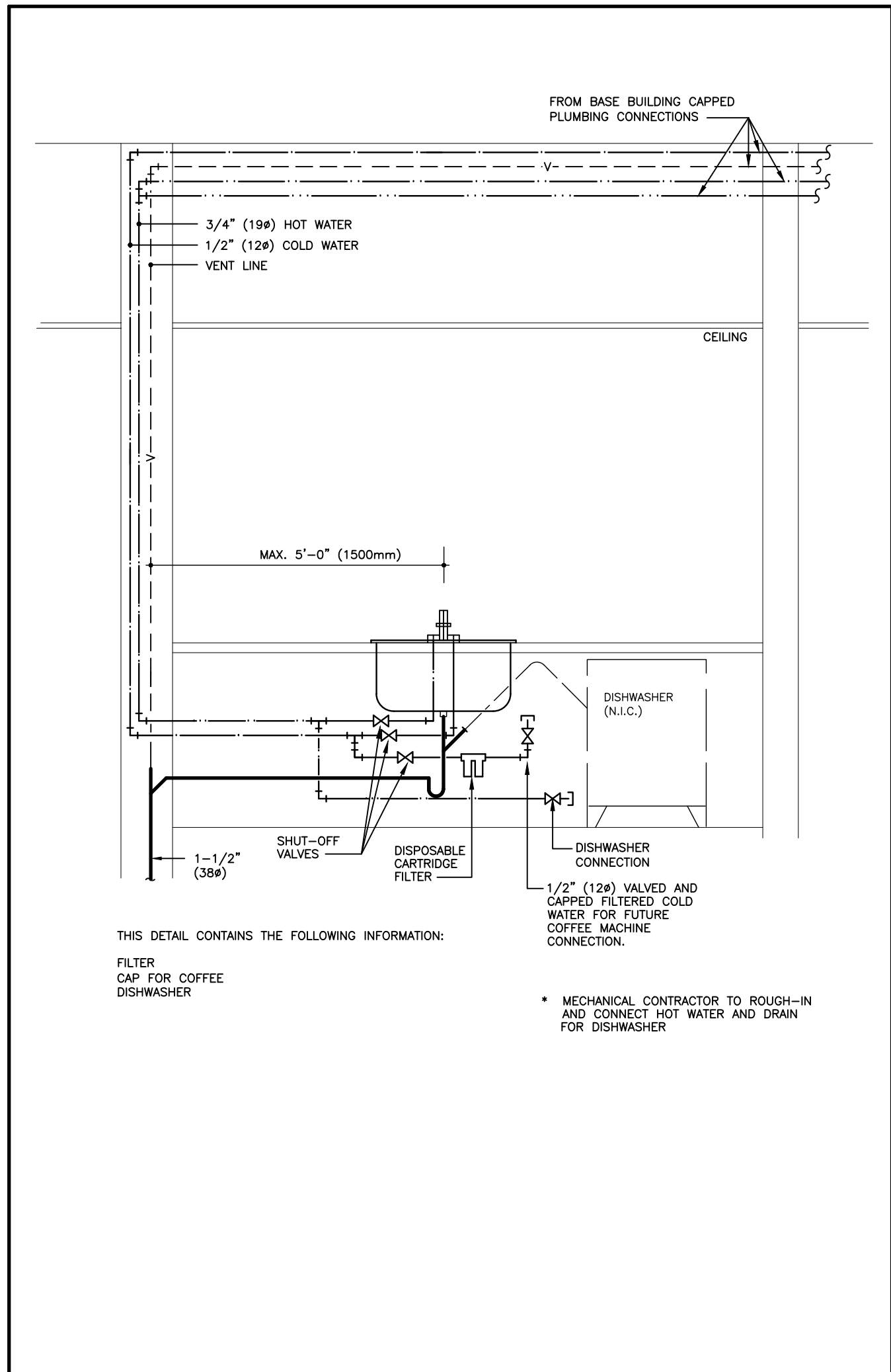
DATE
JUNE 16, 2021

PROJECT NUMBER
21376

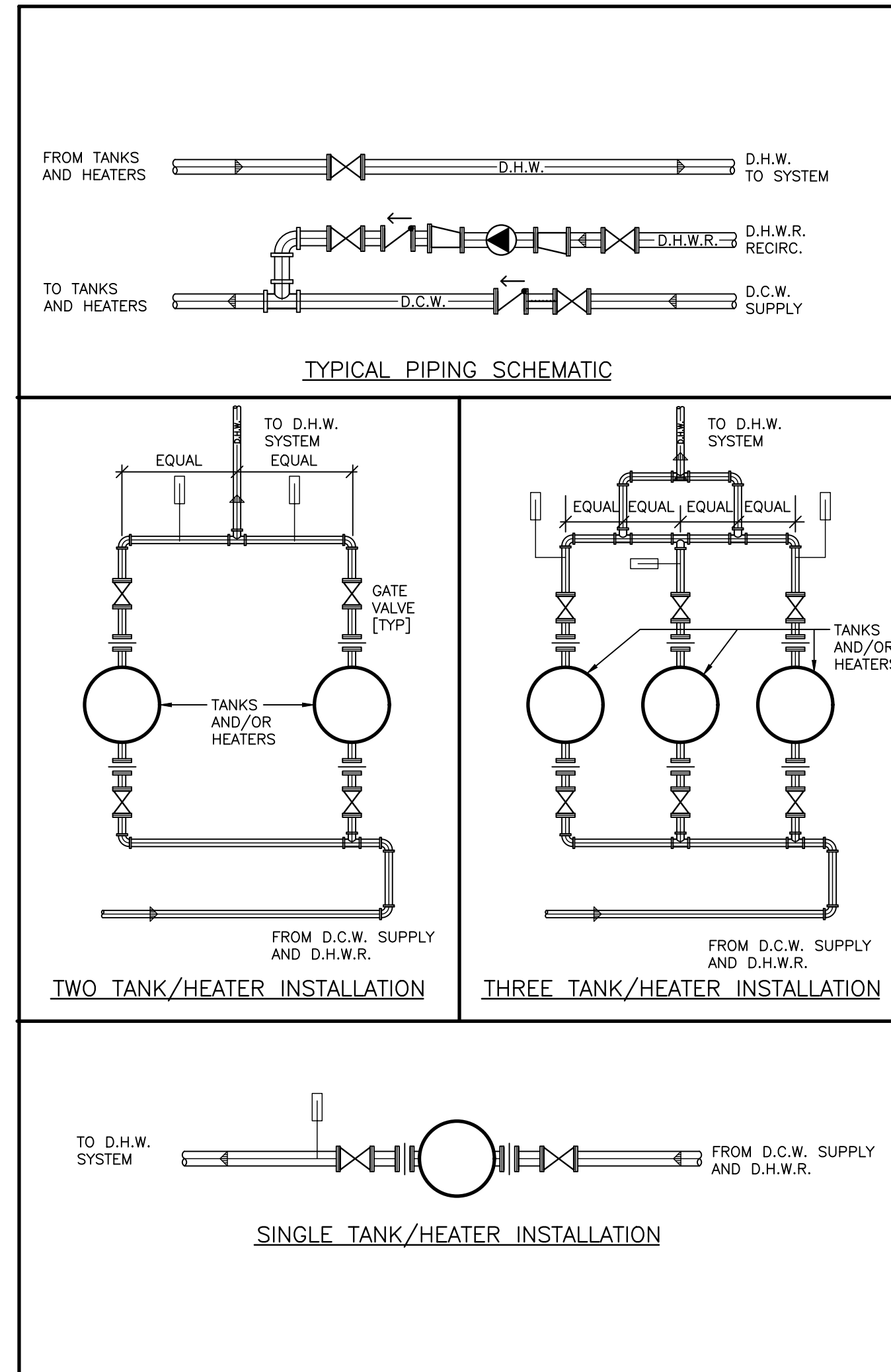
DRAWING NUMBER
M002



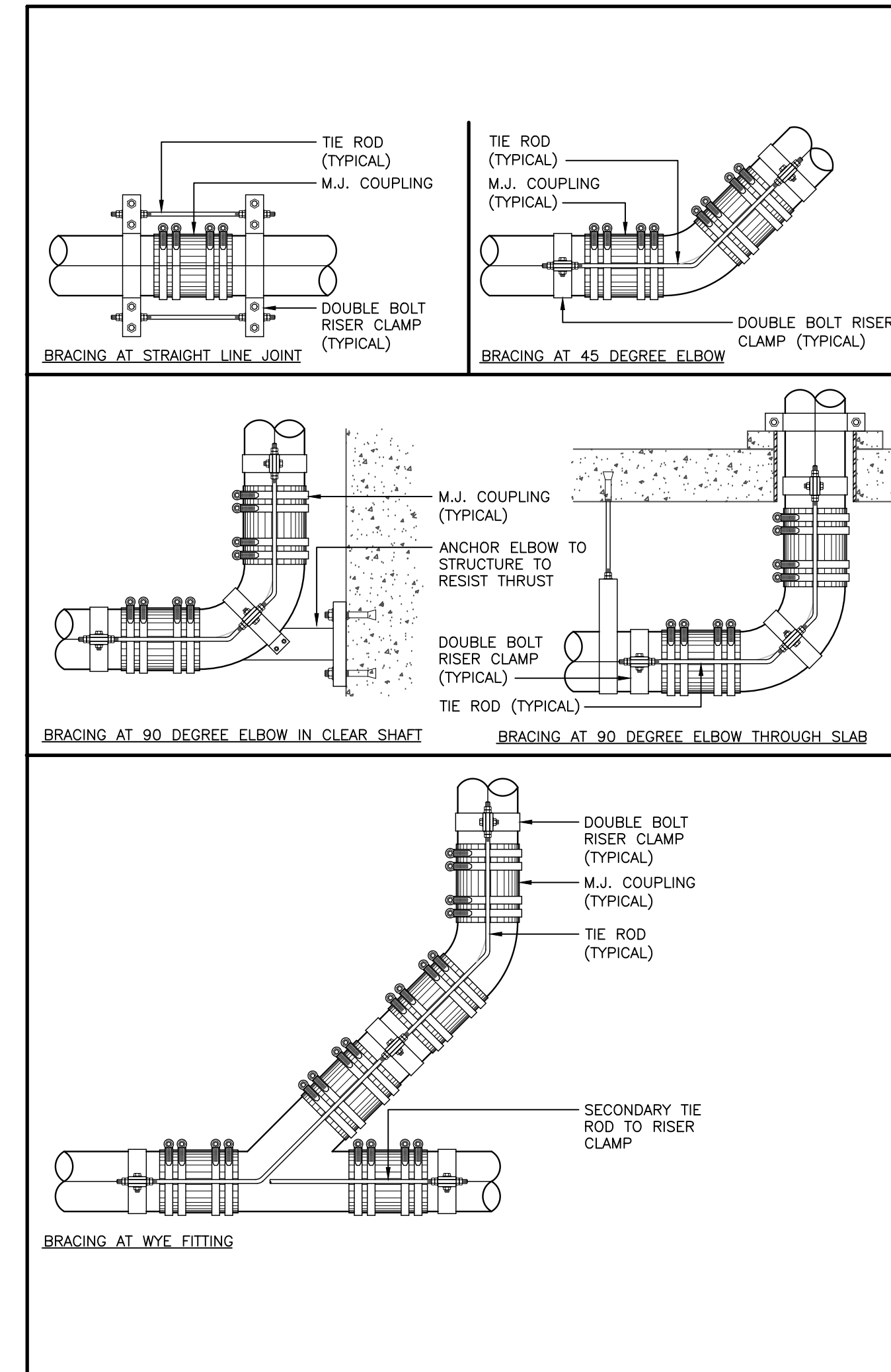
7 M003 DIAPHRAM EXPANSION TANK PIPING SCHEMATIC (MSD-708.01)



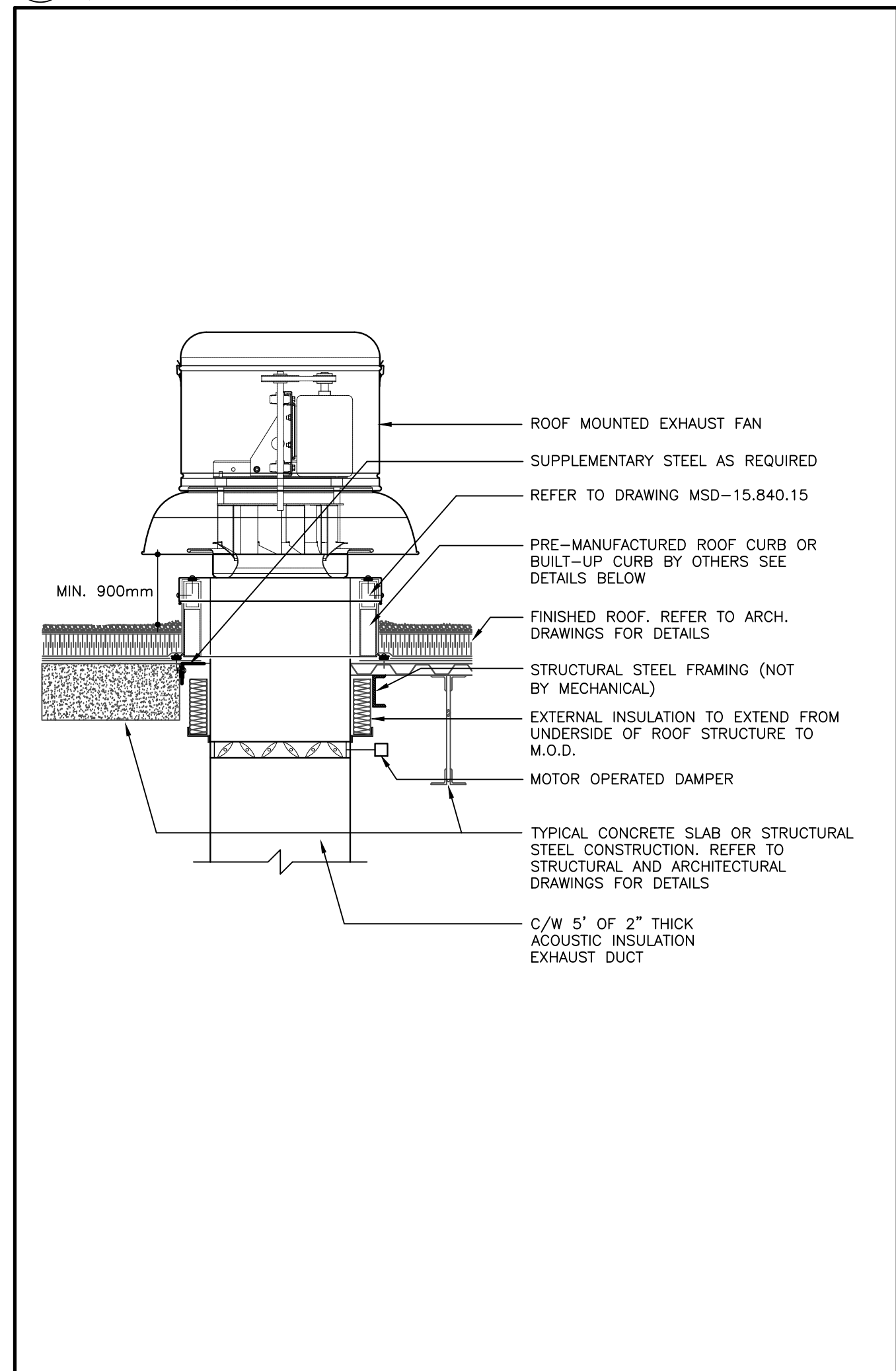
5 M003 COUNTER SINK CS-1 DETAIL (MSD-450.30)



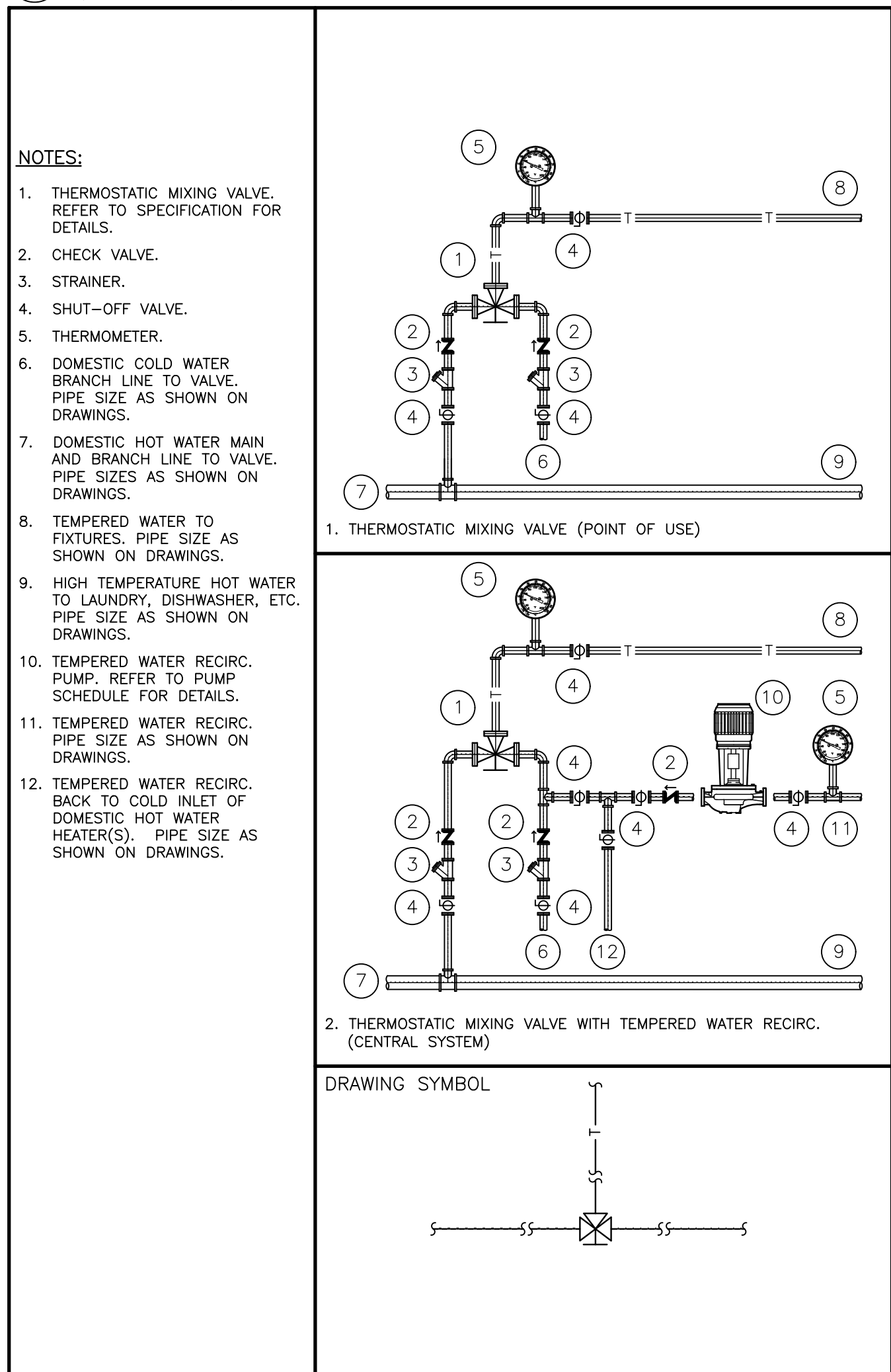
3 M003 DOMESTIC HOT WATER HEATERS (MSD-425.01)



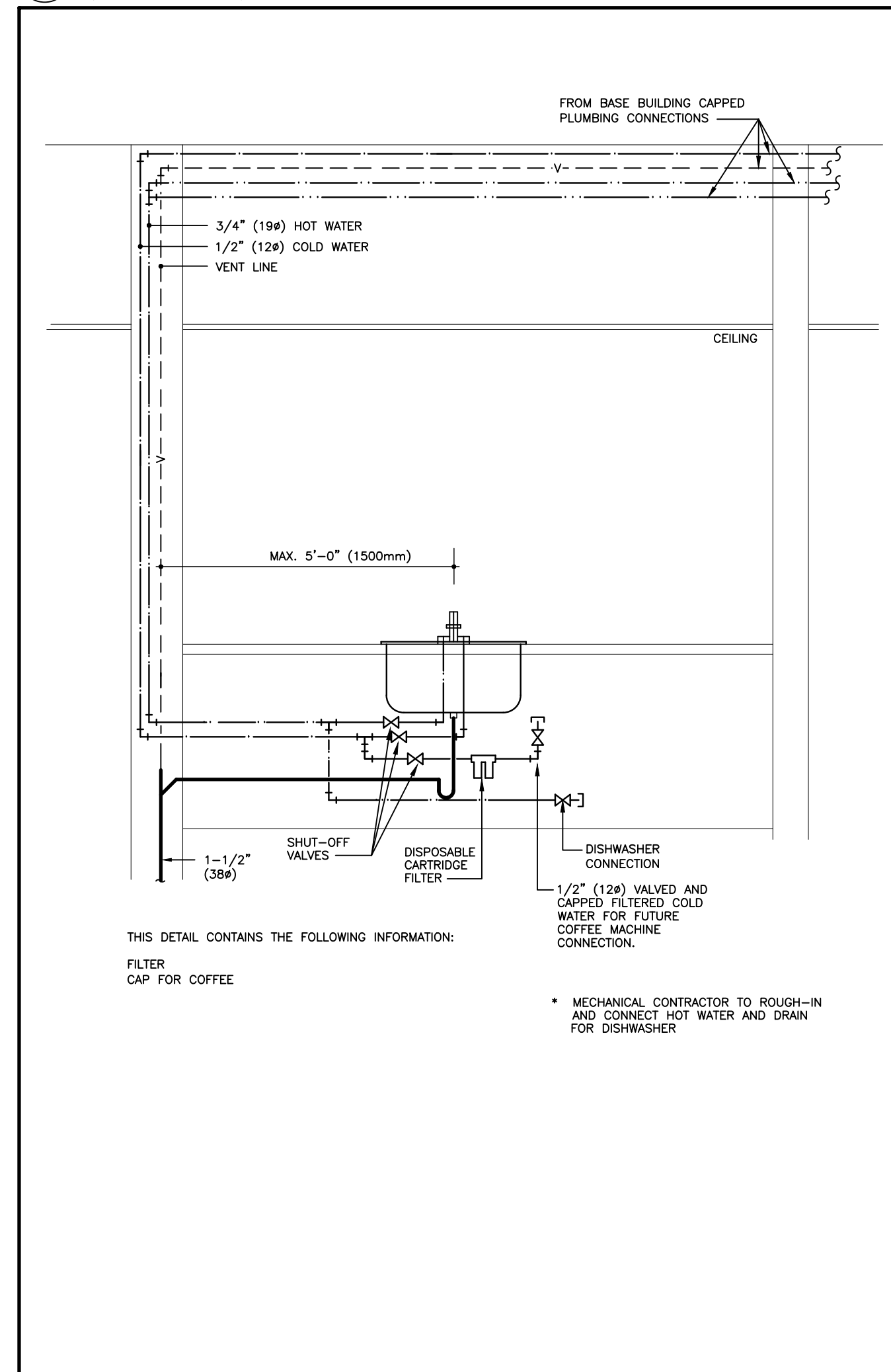
1 M003 MECHANICAL JOINT SPACING (MSD-410.02)



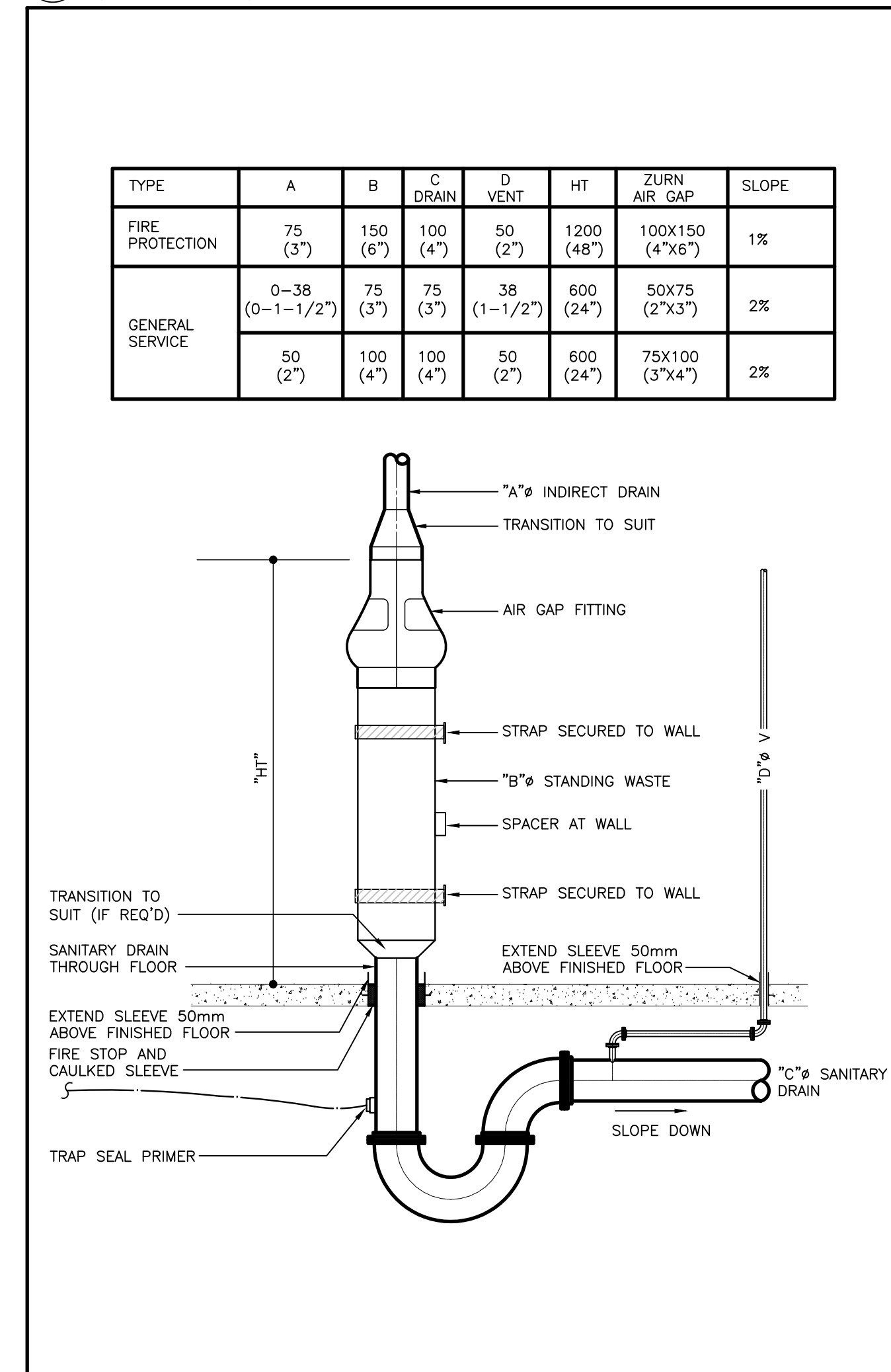
8 M003 ROOF MOUNTED EXHAUST FAN (MSD-824.01)



6 M003 THERMOSTATIC MIXING VALVES (MSD-450.31)



4 M003 COUNTER SINK CS-1 DETAIL (MSD-450.30)



2 M003 INDIRECT STANDING WASTE (MSD-410.04)

Contractor must check and verify all dimensions on the job, and report any discrepancies to the Architect before proceeding with the work. Do not scale this drawing.

REV	DESCRIPTION	DATE	BY
1	ISSUED FOR TENDER	2021.08.25	
2	ISSUED FOR PERMIT	2021.09.09	
3	RE-ISSUED FOR TENDER AND PERMIT	2022.01.31	
4	ISSUED FOR CONSTRUCTION	2022.07.15	
5			
6			
7			
8			

MJMA
maclean jaunkains miller architects
425 adelade street west level 6
toronto ontario m5v 3c1
416.593.6796
www.mjmaarchitects.com

TRITON ENGINEERING SERVICES LTD
CIVIL ENGINEERS
18 ROBB BOULEVARD - UNIT 8
ORANGEVILLE, ONTARIO
TEL 519 941 0330 FAX 519 941 1830

BLACKWELL
STRUCTURAL ENGINEERS
134 PETER STREET, SUITE 1301
TORONTO, ONTARIO, M5V 2H2
TEL 416.593.5300 FAX 416.593.4840

SMITH + ANDERSON
MECHANICAL AND ELECTRICAL ENGINEERS
1100 - 100 SHEPPARD AVENUE EAST
TORONTO, ONTARIO, M2N 6N5
TEL 416.487.8151

Smith + Andersen
1100 - 100 Sheppard Ave. East, Toronto On, M2N 6N5
416.487.8151 f 416.487.9104 smthandanderson.com

SAYERS FOOD LIMITED
132 BURLINGHAM STREET
t: 705.656.4531
e: sayers@apsley.ca

NORTH ARROW SEAL

PROJECT TITLE
**NEW SAYERS FOOD STORE
BURLINGHAM STREET, APSLEY**

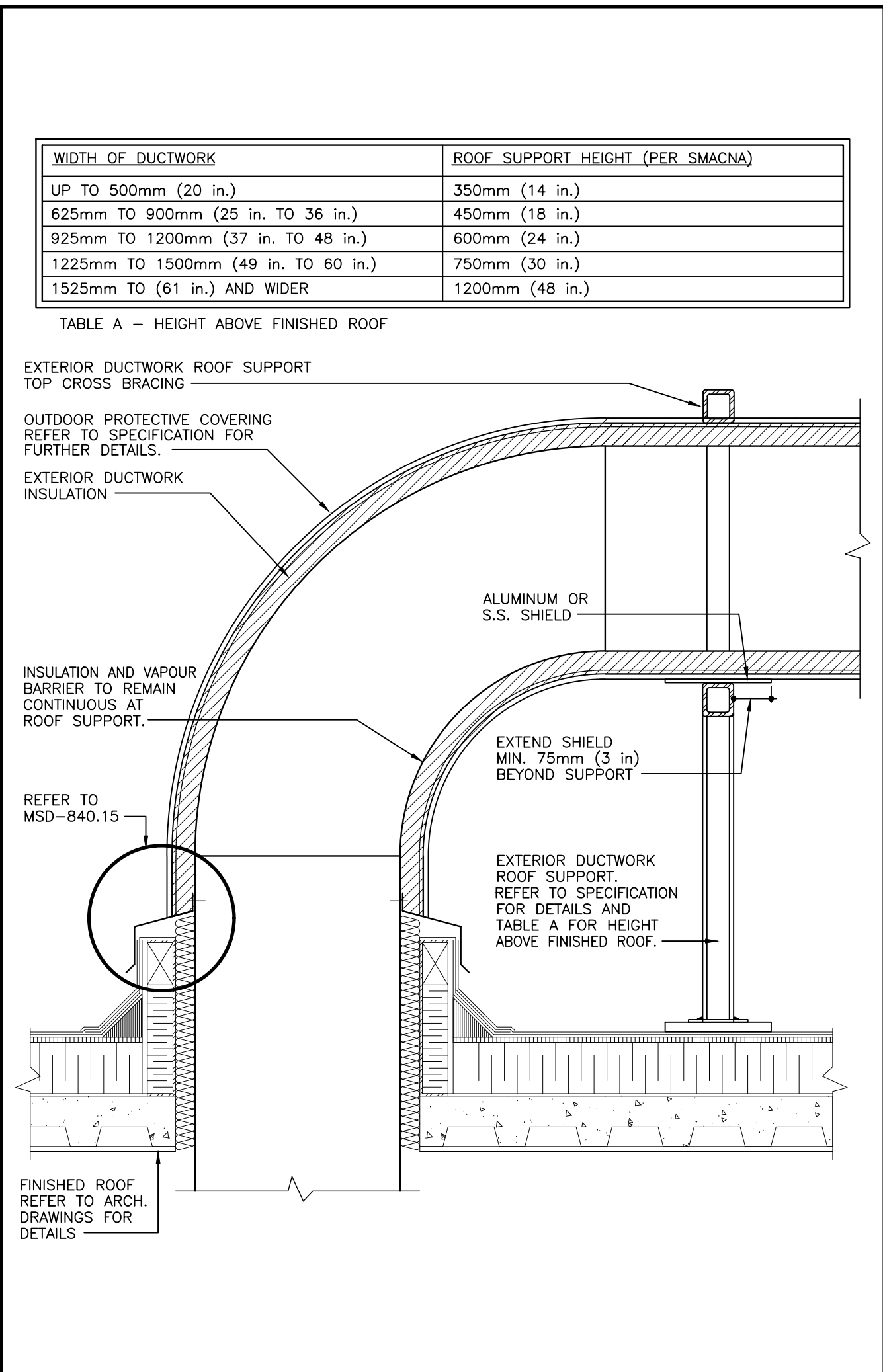
DRAWING TITLE
**MECHANICAL STANDARD
DETAILS**

SCALE
1:100

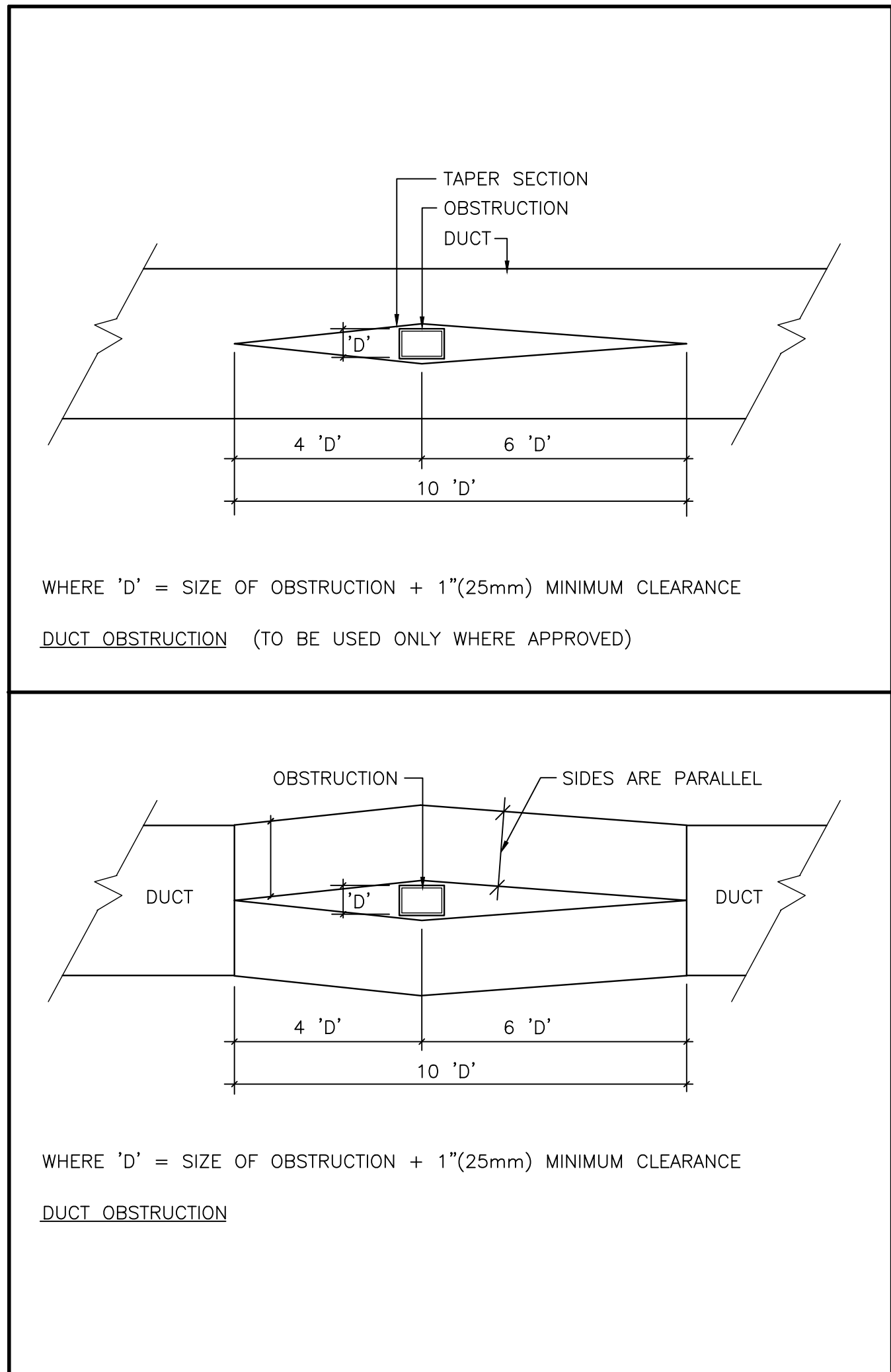
DATE
JUNE 16, 2021

PROJECT NUMBER
21376

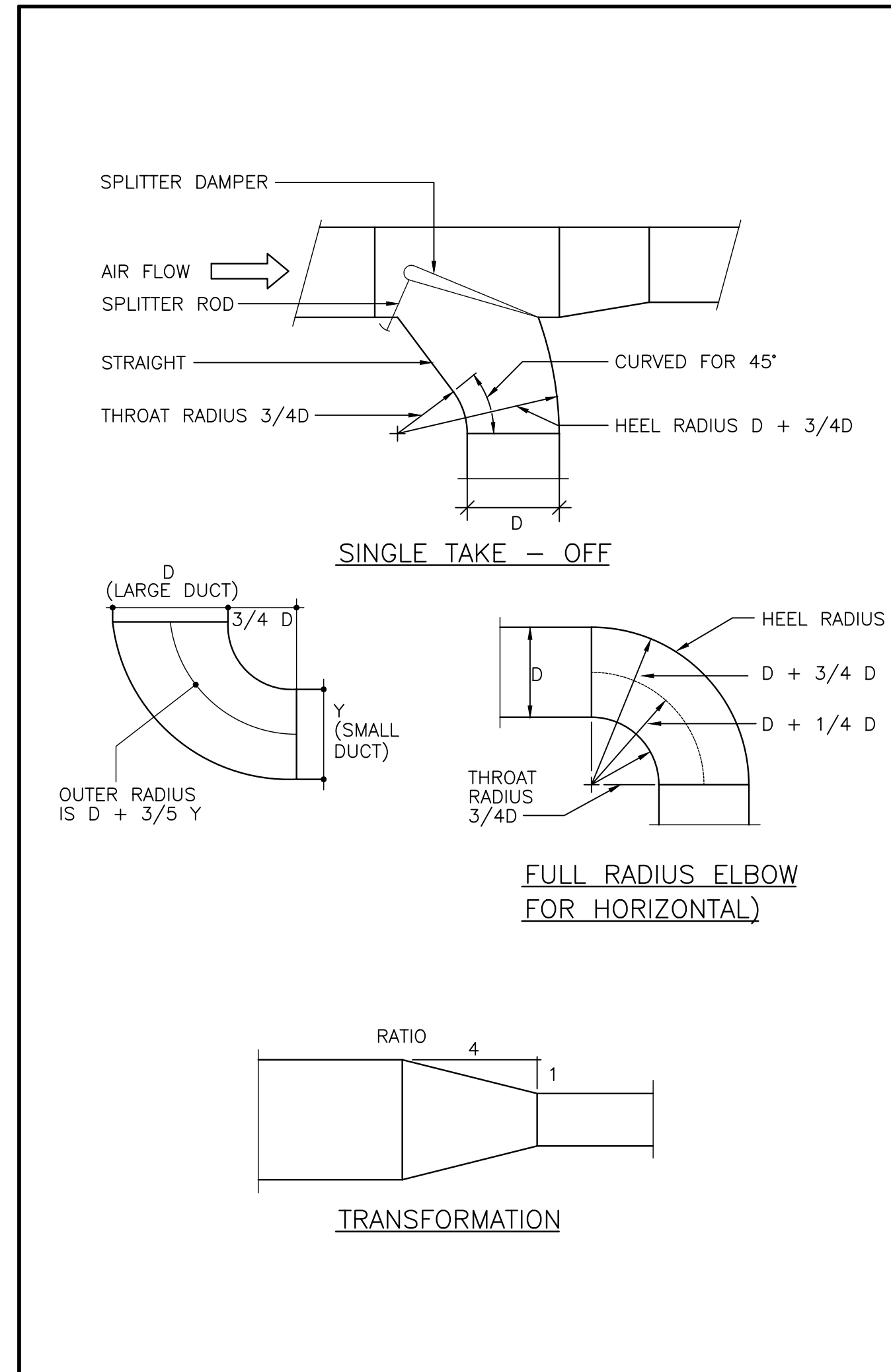
DRAWING NUMBER
M003



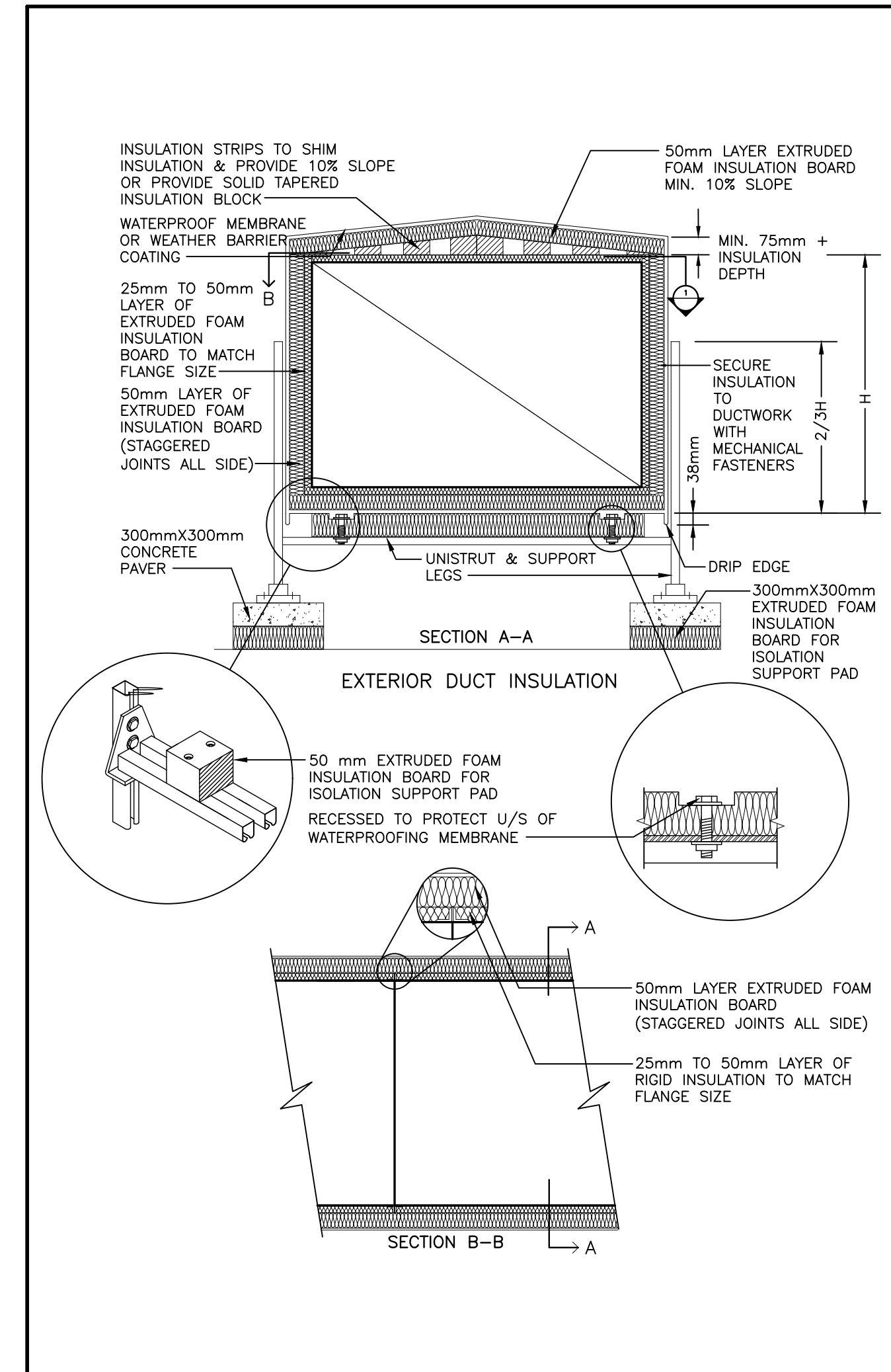
7 M004 EXTERIOR DUCTWORK ROOF PENETRATION (MSD-840.14)



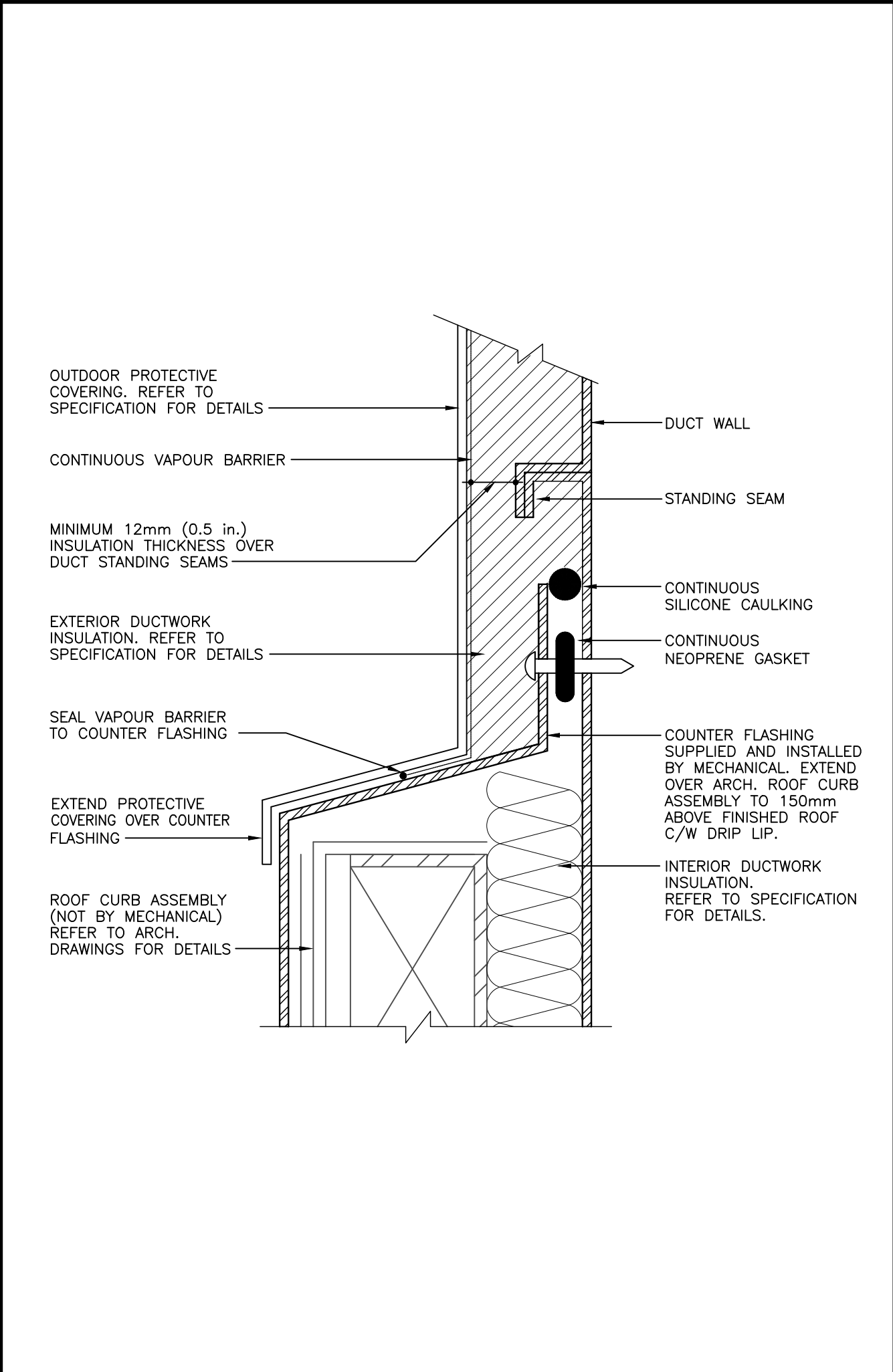
5 M004 DUCT OBSTRUCTIONS (MSD-840.07)



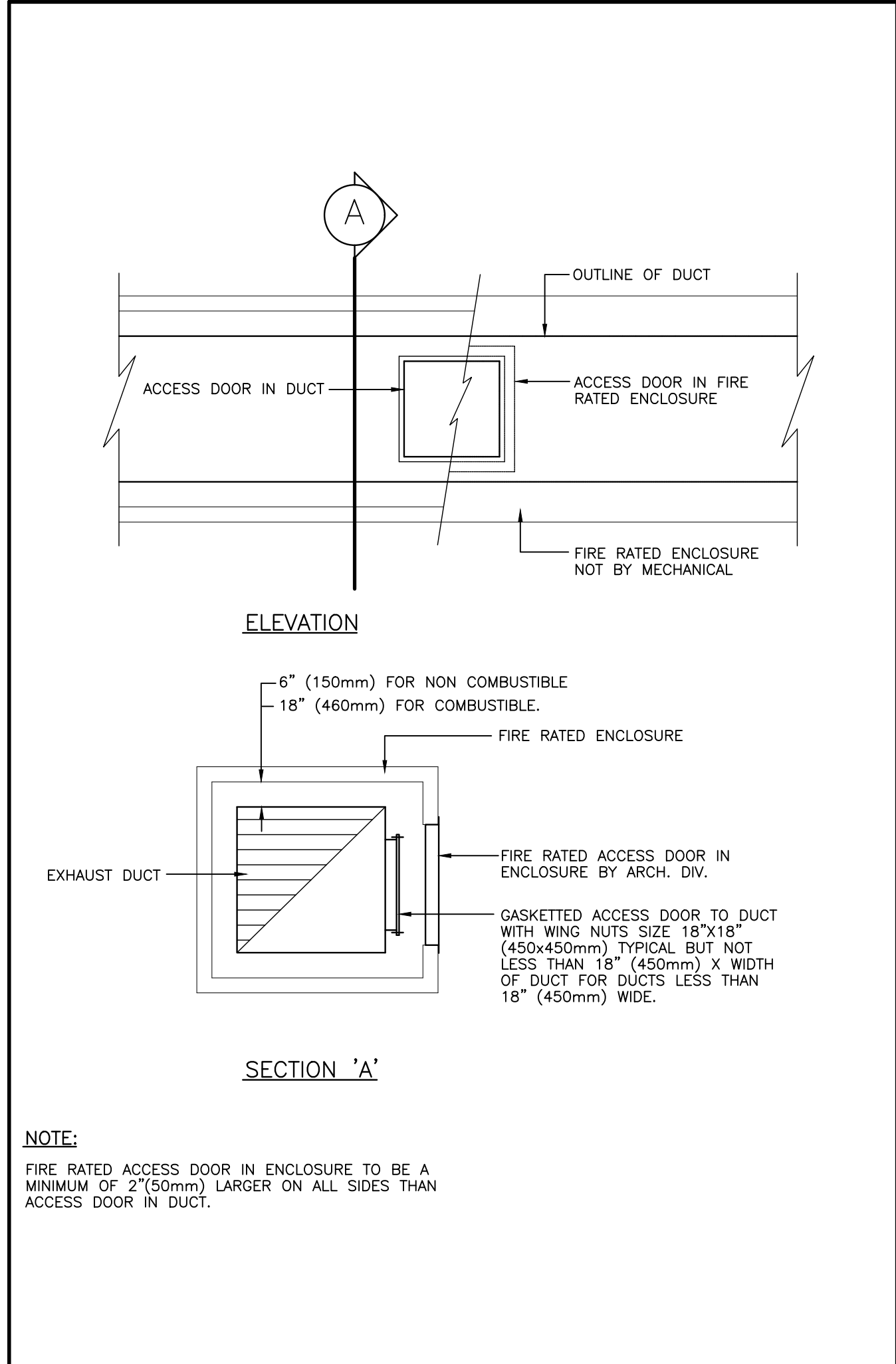
3 M004 DUCT DETAILS (MSD-840.05)



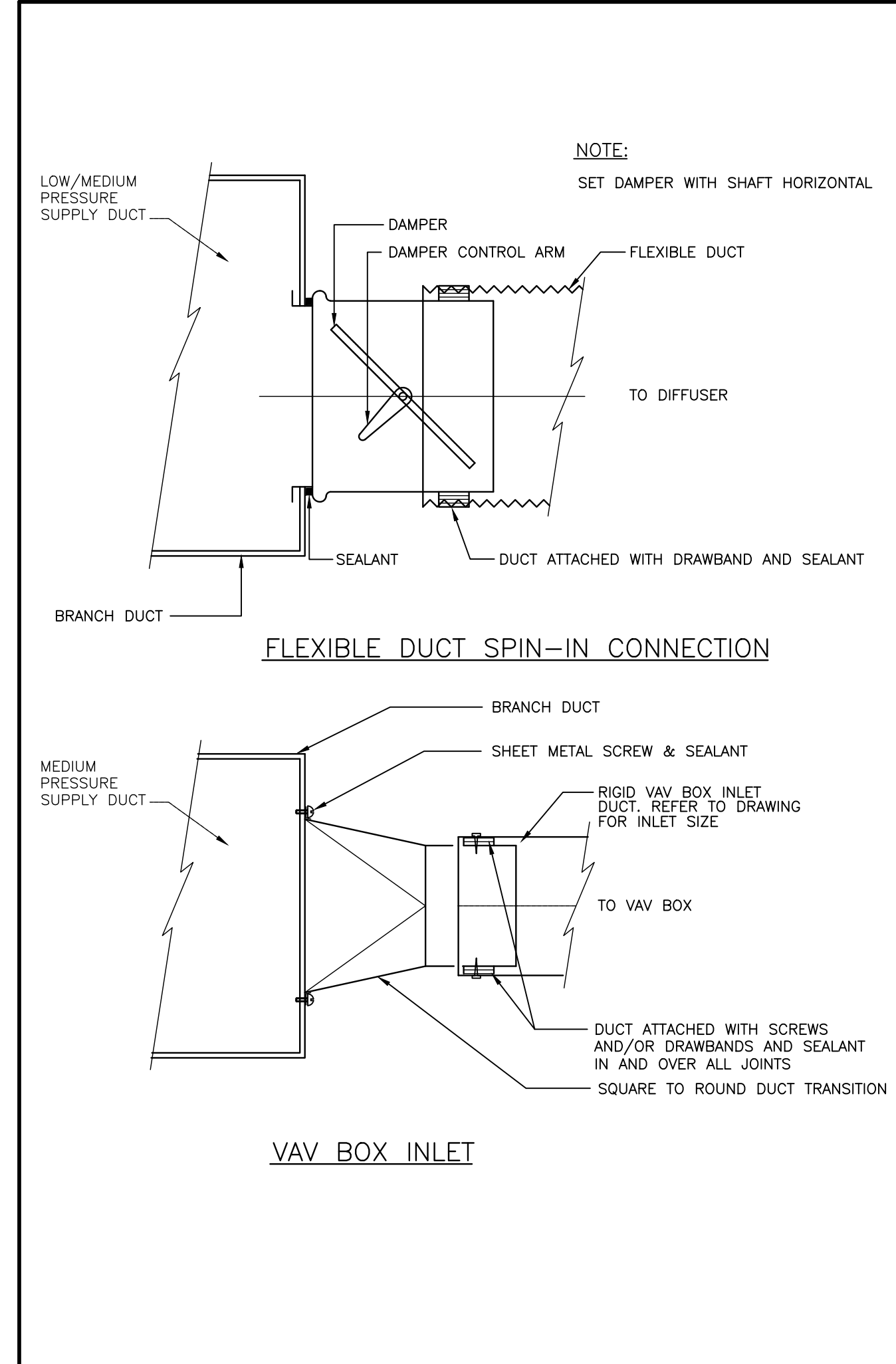
1 M004 INSULATED DUCT ON ROOF (MSD-824.02)



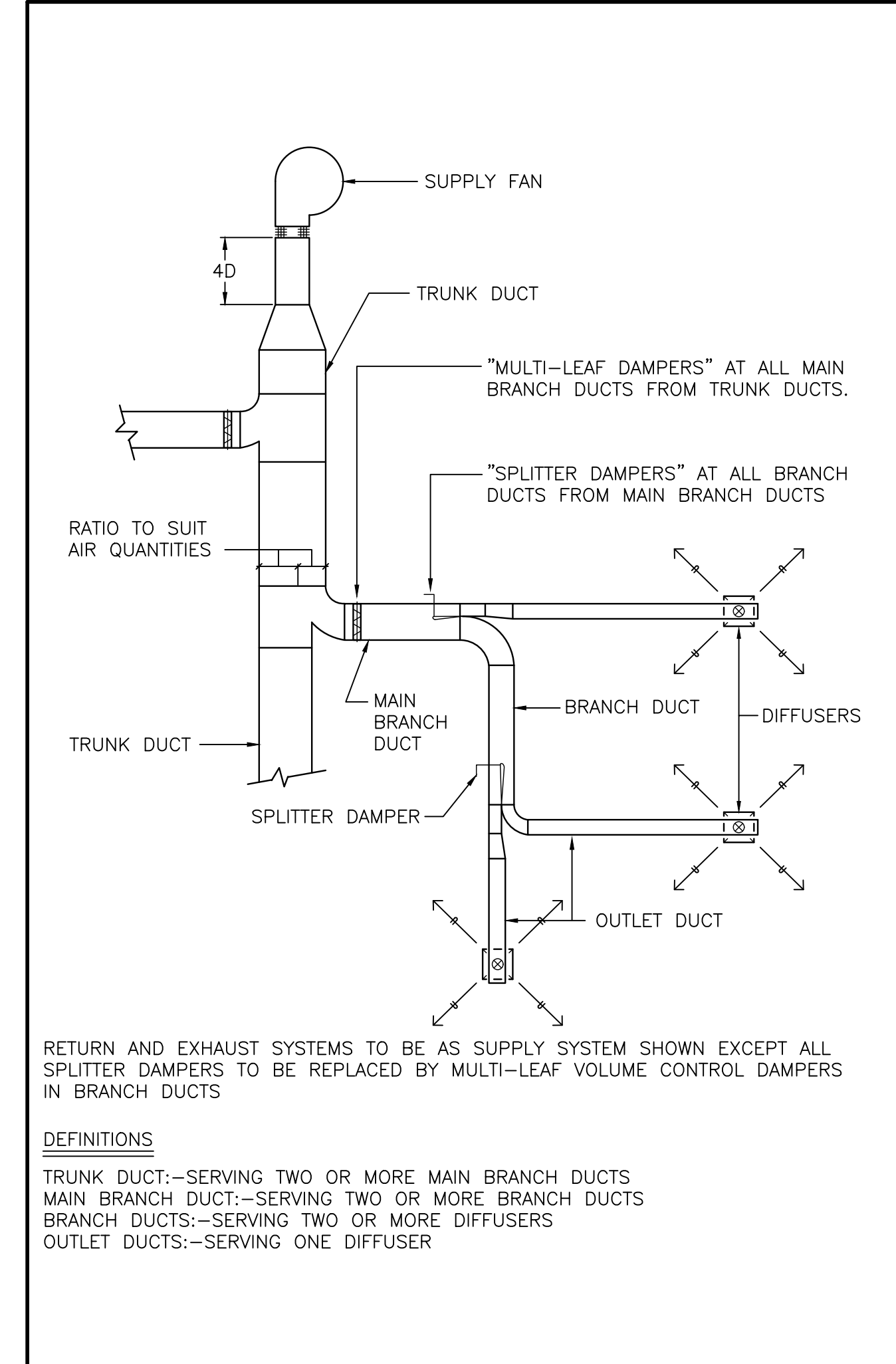
8 M004 COUNTER FLASHING AT EXTERIOR DUCTWORK ROOF PENETRATION (MSD-840.15)



6 M004 KITCHEN EXHAUST DUCT ACCESS DOOR (MSD-840.10)



4 M004 FLEXIBLE DUCT CONNECTIONS (MSD-840.06)



2 M004 BALANCING DAMPERS (MSD-840.03)

Contractor must check and verify all dimensions on the job, and report any discrepancies to the Architect before proceeding with the work. Do not scale this drawing.

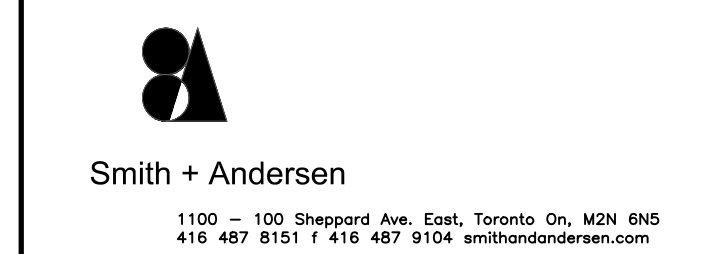
REV	DESCRIPTION	DATE	BY
1	ISSUED FOR TENDER	2021.08.25	
2	ISSUED FOR PERMIT	2021.09.09	
3	RE-ISSUED FOR TENDER AND PERMIT	2022.01.31	
4	ISSUED FOR CONSTRUCTION	2022.07.15	
5			
6			
7			
8			

MJMA
maclean jaunkains miller architects
425 adelaide street west level 6
toronto ontario m5v 3c1
416 593 6796
www.mjmaarchitects.com

TRITON ENGINEERING SERVICES LTD
CIVIL ENGINEERS
18 ROBB BOULEVARD - UNIT 8
ORANGEVILLE, ONTARIO
TEL 519 941 0330 FAX 519 941 1830

BLACKWELL
STRUCTURAL ENGINEERS
134 PETER STREET, SUITE 1301
TORONTO, ONTARIO, M5V 2H2
TEL 416-593-5300 FAX 416-593-4840

SMITH + ANDERSON
MECHANICAL AND ELECTRICAL ENGINEERS
1100 - 100 SHEPPARD AVENUE EAST
TORONTO, ONTARIO, M2N 6N5
TEL 416-487-8151



SAYERS FOOD LIMITED
132 BURLIEGH STREET
t: 705.656.4531
e: sayers@apspley.ca

NORTH ARROW	SEAL
-------------	------

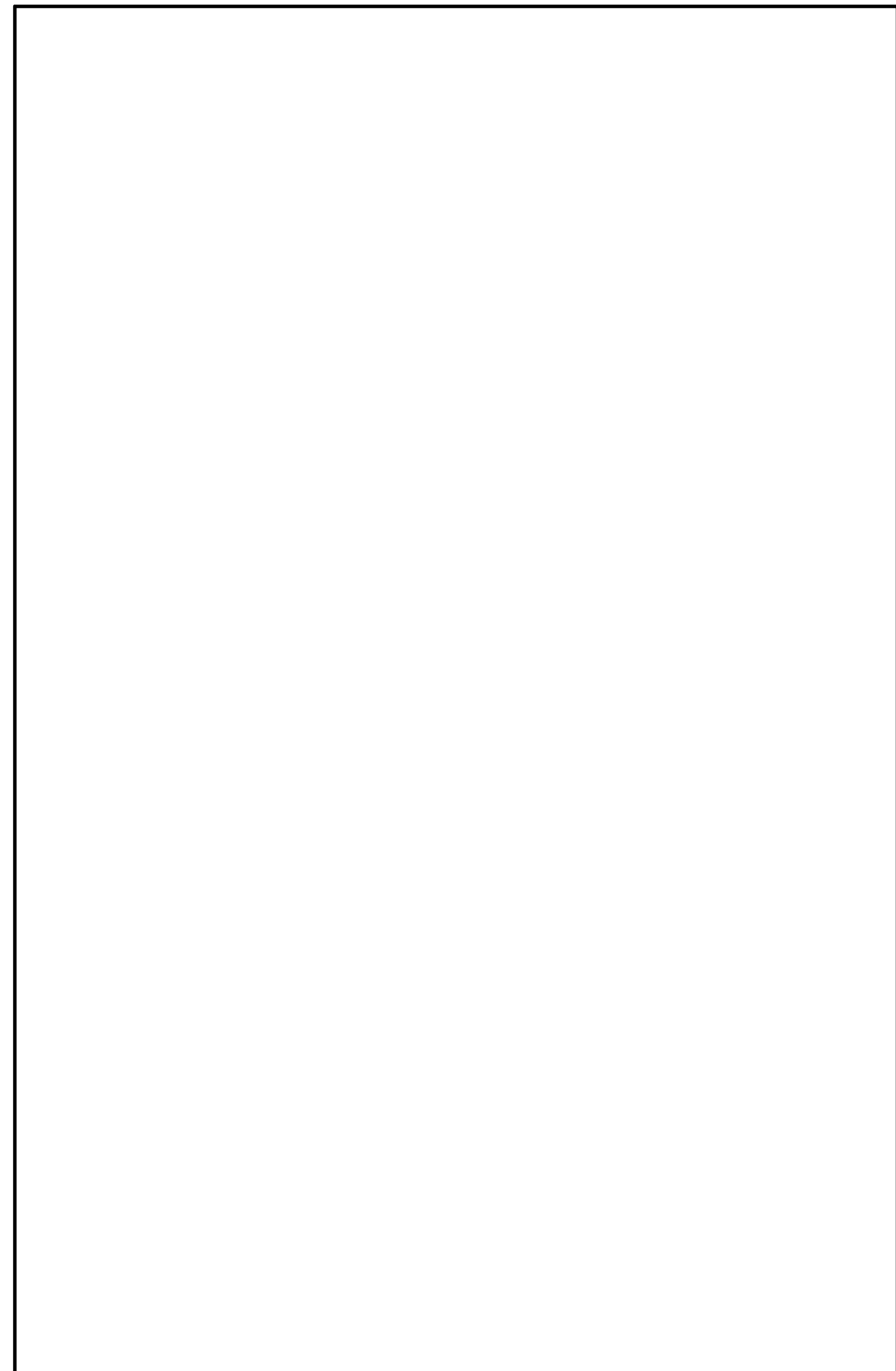
PROJECT TITLE
**NEW SAYERS FOOD STORE
BURLIEGH STREET, APSLEY**

DRAWING TITLE
**MECHANICAL STANDARD
DETAILS**

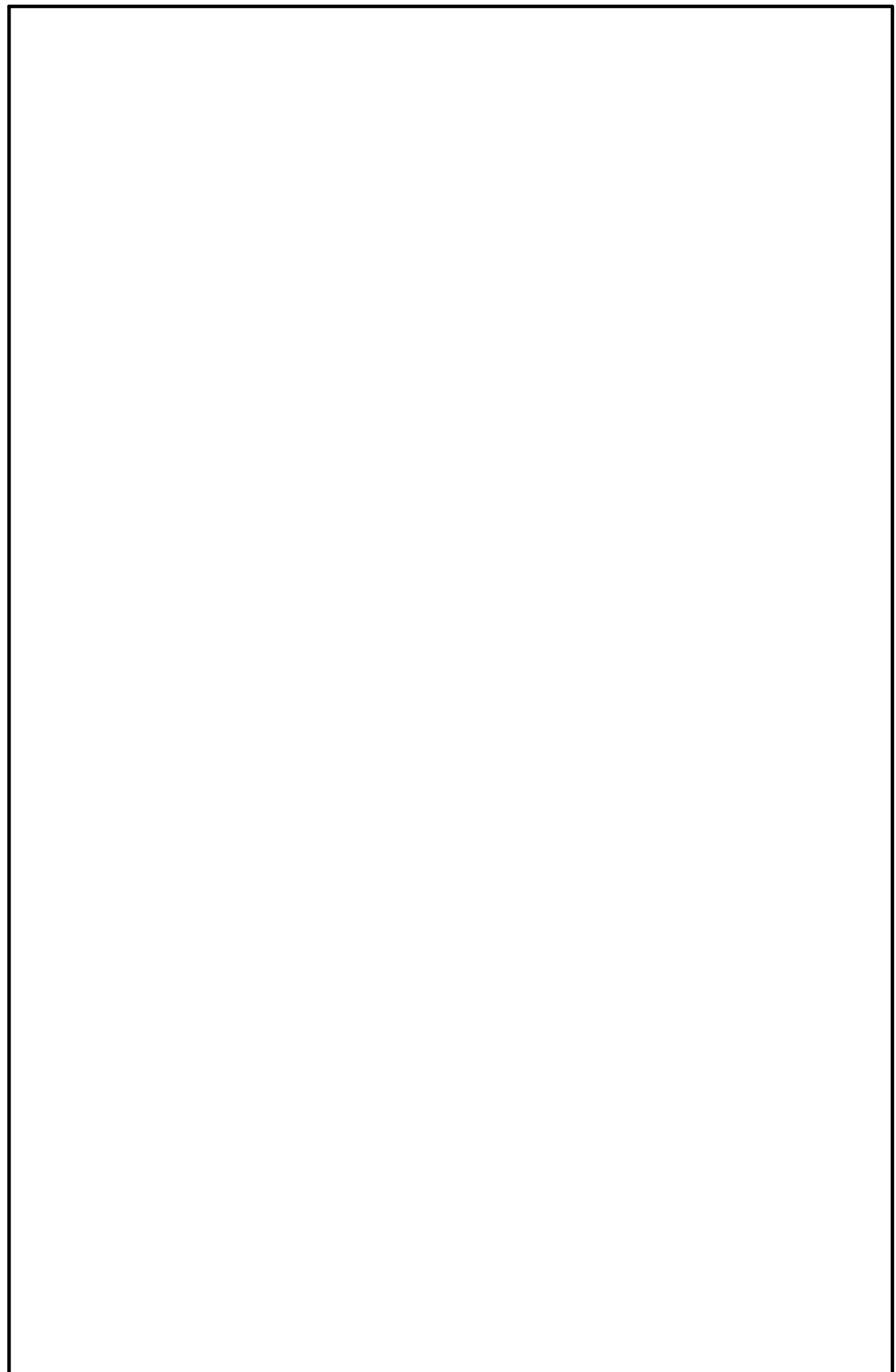
SCALE
1:100
DATE
JUNE 16, 2021

PROJECT NUMBER
21376
DRAWING NUMBER

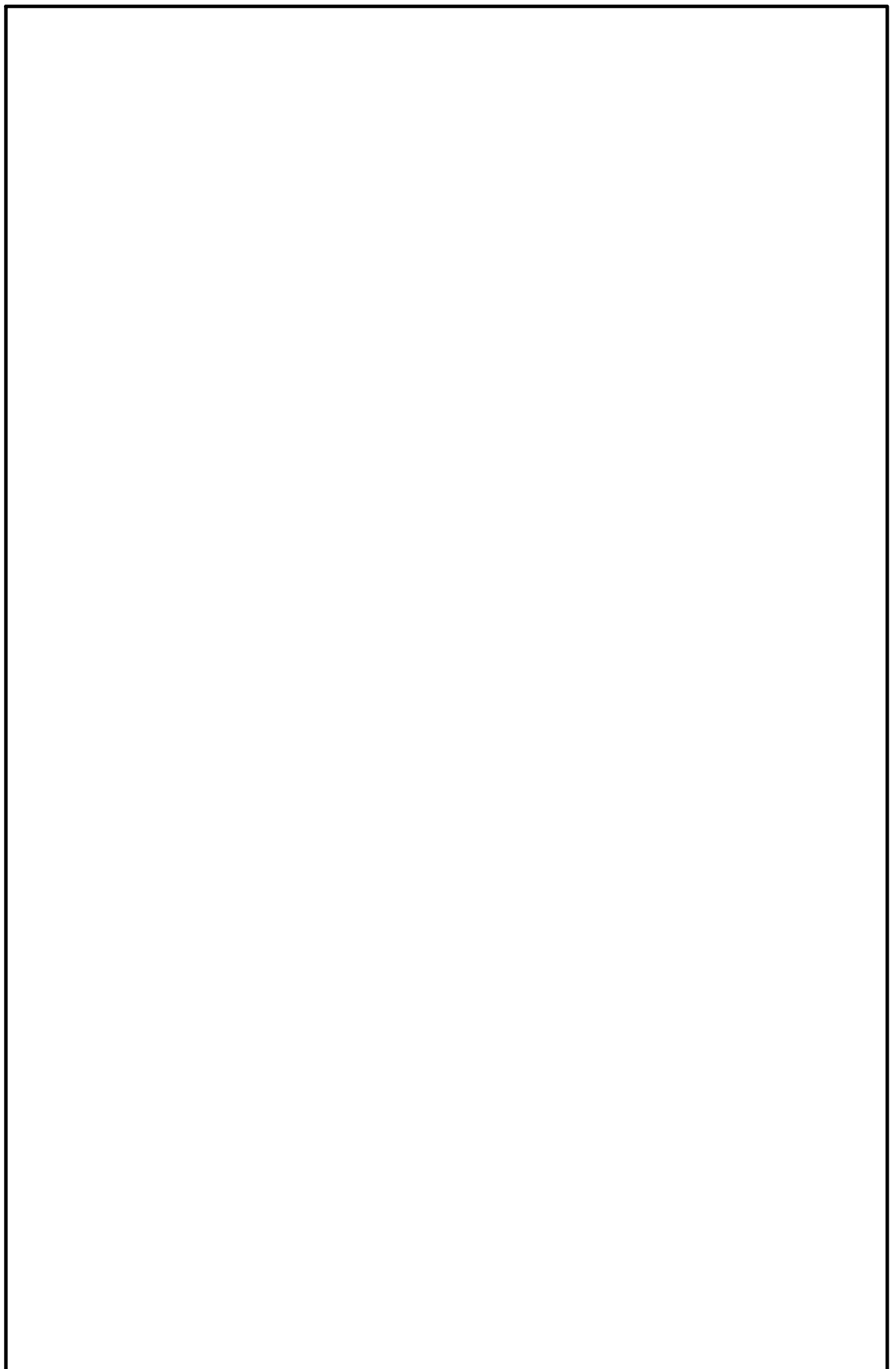
M004



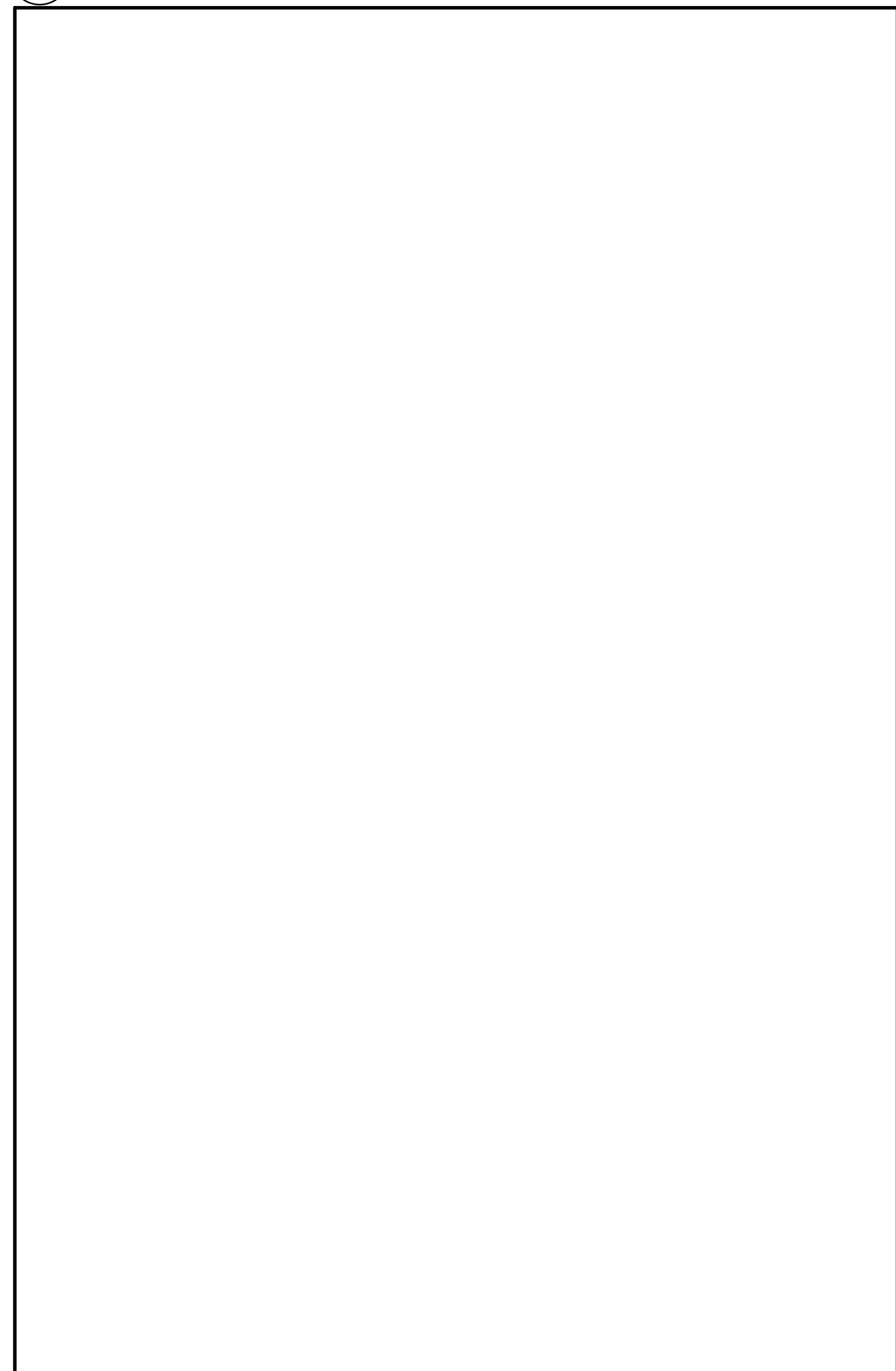
7 NOT USED
M005



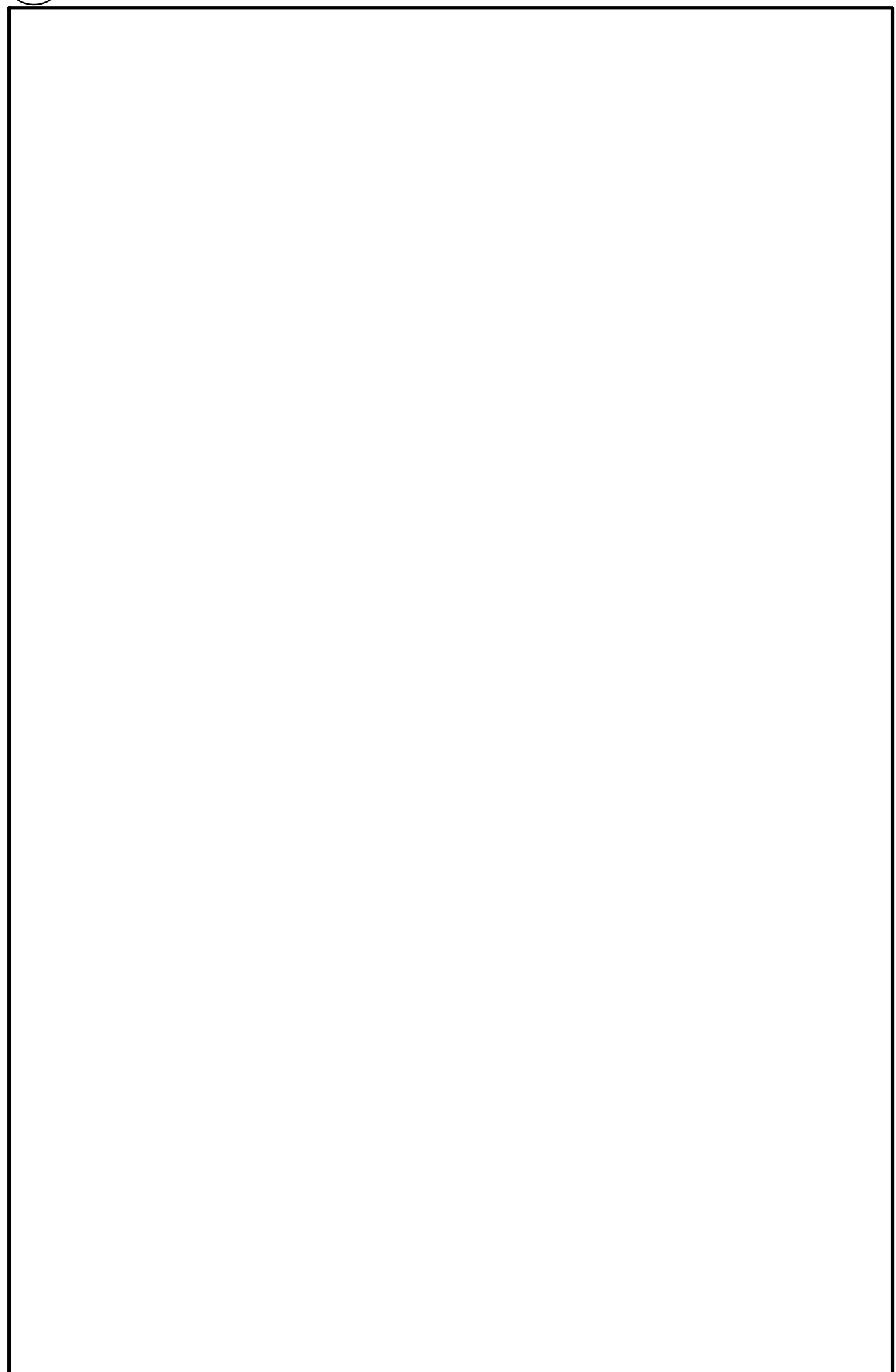
5 NOT USED
M005



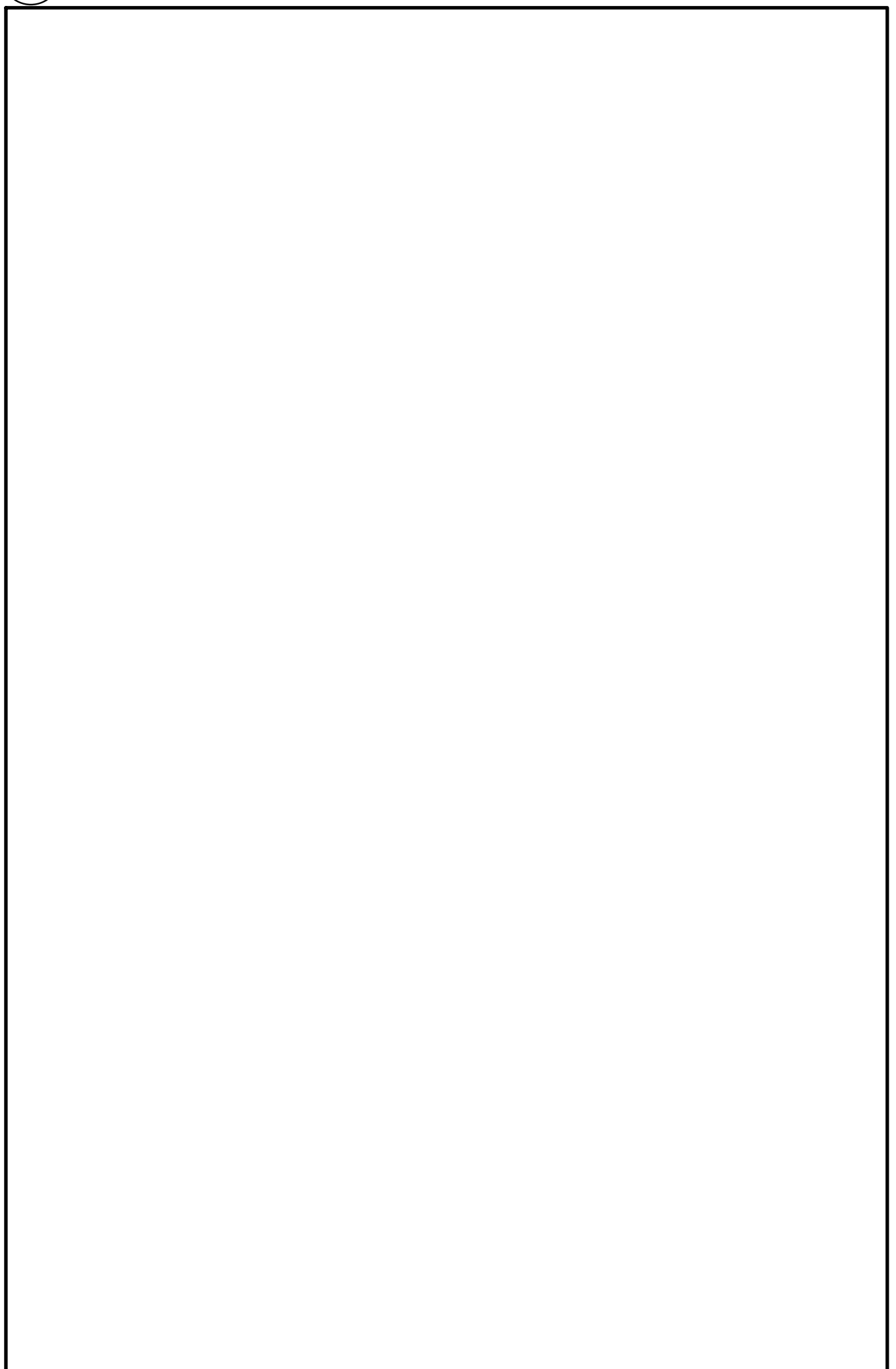
3 NOT USED
M005



8 NOT USED
M005



6 NOT USED
M005



4 NOT USED
M005

SYMBOL	DESCRIPTION	SYMBOL	DESCRIPTION
	DETAIL NUMBER DRAWING NUMBER		SECTION NUMBER DRAWING NUMBER
	REVISION NUMBER		REVISION BUBBLE
	ELBOWS		PIPING SERVICE CONTINUES
	TEE		REFER TO STANDARD DETAIL DRAWINGS FOR ADDITIONAL REQUIREMENTS OF EQUIPMENT NOTED
	BRANCH OFF BOTTOM OF MAIN		VENT PIPE REDUCER
	BRANCH OFF TOP OF MAIN		AIR QUANTITY C.F.M. (L/s)
	DIRECTION OF FLOW	NAMING OF EXISTING EQUIPMENT DENOTES EXISTING EQUIPMENT DESIGNATION FLOOR NUMBER SEQUENTIAL NUMBER EX-FC-12-01	
NOTE: EXISTING EQUIPMENT, PIPING, VALVES, DUCTWORK SHOWN LIGHT TO REMAIN			
	EXISTING DUCT, FLEX. DUCT AND AIR SUPPLY TO REMAIN		EXISTING CONCEALED SPRINKLER HEAD & PIPING TO REMAIN
	EXISTING ELECTRIC/PNEUMATIC THERMOSTAT/TEMPERATURE SENSOR AND SPEED CONTROL SWITCH TO REMAIN		EXISTING PENDANT SPRINKLER HEAD & PIPING TO REMAIN
	EXISTING UPRIGHT SPRINKLER HEAD & PIPING TO REMAIN		EXISTING SIDEWALL OR WINDOW SPRINKLER HEAD & PIPING TO REMAIN
NOTE: EXISTING EQUIPMENT SHOWN HATCHED TO BE REMOVED AND/OR RELOCATED.			
	EXISTING DUCT, FLEX. DUCT AND AIR SUPPLY TO BE REMOVED		EXISTING CONCEALED SPRINKLER HEAD TO BE REMOVED/RELOCATED
	EXISTING ELECTRIC/PNEUMATIC THERMOSTAT/TEMPERATURE SENSOR AND SPEED CONTROL SWITCH TO BE REMOVED/RELOCATED		EXISTING PENDANT SPRINKLER HEAD TO BE REMOVED/RELOCATED
	EXISTING UPRIGHT SPRINKLER HEAD TO BE REMOVED/RELOCATED		EXISTING SIDEWALL OR WINDOW SPRINKLER HEAD TO BE REMOVED/RELOCATED
NOTE: NOT ALL SYMBOLS APPLY, REFER TO FLOOR PLANS AND DRAWINGS			

1 GENERAL SYMBOLS AND ABBREVIATIONS
(MSD-012.13)

SYMBOL	DESCRIPTION	SYMBOL	DESCRIPTION
	FLOOR DRAIN SIZE AS NOTED REFER TO SPECIFICATION FOR TYPES		DOMESTIC COLD WATER (DOM. COLD WATER)
	FUNNEL FLOOR DRAIN SIZE AS NOTED REFER TO SPECIFICATION FOR TYPES		DOMESTIC HOT WATER (DOM. HOT WATER)
	UPTURNED CLEANOUT		DOMESTIC HOT WATER RECIRCULATION (DOM. HOT WATER RECIRC.)
	HORIZONTAL CLEANOUT		TEMPERED DOMESTIC HOT WATER
	FLOOR DRAIN FROM ABOVE WITH TRAP		NATURAL GAS
	FUNNEL FLOOR DRAIN FROM ABOVE WITH TRAP		NATURAL GAS VENT
	WATER CLOSET AS NOTED REFER TO SPECIFICATION FOR TYPES		VENT
	SINGLE COMPARTMENT KITCHEN SINK		SANITARY ABOVE GRADE OR FLOOR
	MOP SINK		SANITARY BELOW GRADE OR FLOOR
	DOUBLE COMPARTMENT SINK		GATE OR ISOLATION VALVE (REFER TO SPECIFICATION)
	DRINKING FOUNTAIN		GLOBE VALVE
	URINAL		BALL VALVE
	WALL HUNG LAVATORY		PENDANT SPRINKLER HEAD
	WET SPRINKLER		DRY PENDANT SPRINKLER HEAD
	DRY SPRINKLER		UPRIGHT SPRINKLER HEAD
	FIRE HOSE CABINET AND TYPE		CONCEALED SPRINKLER HEAD
	SPRINKLER SHUT-OFF VALVE CABINET AND TYPE		NON-FREEZE SPRINKLER HEAD
	FIRE EXTINGUISHER AND TYPE		HIGH TEMPERATURE SPRINKLER HEAD
	FIRE EXTINGUISHER CABINET AND TYPE		CHEMICAL SPRINKLER HEAD
	FIRE REEL		SIDEWALL SPRINKLER HEAD
	WATER METER		WINDOW SPRINKLER HEAD
	BACK FLOW PREVENTOR	NOTE: NOT ALL SYMBOLS APPLY, REFER TO FLOOR PLANS AND DRAWINGS	

2 GENERAL SYMBOLS AND ABBREVIATIONS
(MSD-012.14)



2 GENERAL SYMBOLS AND ABBREVIATIONS
(MSD-012.14)

Contractor must check and verify all dimensions on the job, and report any discrepancies to the Architect before proceeding with the work. Do not scale this drawing.

REVISIONS AND ISSUES

REV	DESCRIPTION	DATE	BY
1	ISSUED FOR TENDER	2021.08.25	
2	ISSUED FOR PERMIT	2021.09.09	
3	RE-ISSUED FOR TENDER AND PERMIT	2022.01.31	
4	ISSUED FOR CONSTRUCTION	2022.07.15	
5			
6			
7			
8			

MJMA

maclennan jaunkalns miller architects
425 adelade street west level 6
toronto ontario m5x 3c1
416 593 6796
www.mjmaarchitects.com

TRITON ENGINEERING SERVICES LTD

CIVIL ENGINEERS
18 ROBB BOULEVARD - UNIT 8
ORANGEVILLE, ONTARIO
TEL 519 941 0330 FAX 519 941 1830

BLACKWELL

STRUCTURAL ENGINEERS
134 PETER STREET, SUITE 1301
TORONTO, ONTARIO, M5V 2H2
TEL 416-593-5300 FAX 416-593-4840

SMITH + ANDERSON

MECHANICAL AND ELECTRICAL ENGINEERS
1100 - 100 SHEPPARD AVENUE EAST
TORONTO, ONTARIO, M2N 6N5
TEL 416-487-8151



Smith + Andersen

1100 - 100 Sheppard Ave. East, Toronto On, M2N 6N5
416 487 8151 f 416 487 8104 smthandanderson.com

SAYERS FOOD LIMITED

132 BURLINGHAM STREET
t: 705.656.4531
e: sayers@apsley.ca

NORTH ARROW SEAL

PROJECT TITLE
NEW SAYERS FOOD STORE
BURLINGHAM STREET, APSLEY

DRAWING TITLE
MECHANICAL STANDARD
DETAILS

SCALE
1:100

DATE
JUNE 16, 2021

PROJECT NUMBER

21376

DRAWING NUMBER

M005

Contractor must check and verify all dimensions on the job, and report any discrepancies to the Architect before proceeding with the work. Do not scale this drawing.

REVISIONS AND ISSUES

REV	DESCRIPTION	DATE	BY
1	ISSUED FOR TENDER	2021.08.25	
2	ISSUED FOR PERMIT	2021.09.09	
3	ISSUED FOR ADDENDUM #1	2021.09.15	
4	RE-ISSUED FOR TENDER AND PERMIT	2022.01.31	
5	ISSUED FOR CONSTRUCTION	2022.07.15	
6			
7			
8			

MJMA
maclean jaunkains miller architects

425 adelaide street west level 6
toronto ontario m5v 3c1
416.593.6796
www.mjmachitects.com

TRITON ENGINEERING SERVICES LTD
CIVIL ENGINEERS

18 ROBB BOULEVARD - UNIT 8
ORANGEVILLE, ONTARIO
TEL 519 941 0330 FAX 519 941 1830

BLACKWELL
STRUCTURAL ENGINEERS

134 PETER STREET, SUITE 1301
TORONTO, ONTARIO, M5V 2H2
TEL 416.593.5300 FAX 416.593.4840

SMITH + ANDERSON
MECHANICAL AND ELECTRICAL ENGINEERS

1100 - 100 SHEPPARD AVENUE EAST
TORONTO, ONTARIO, M2N 6N5
TEL 416.487.8151



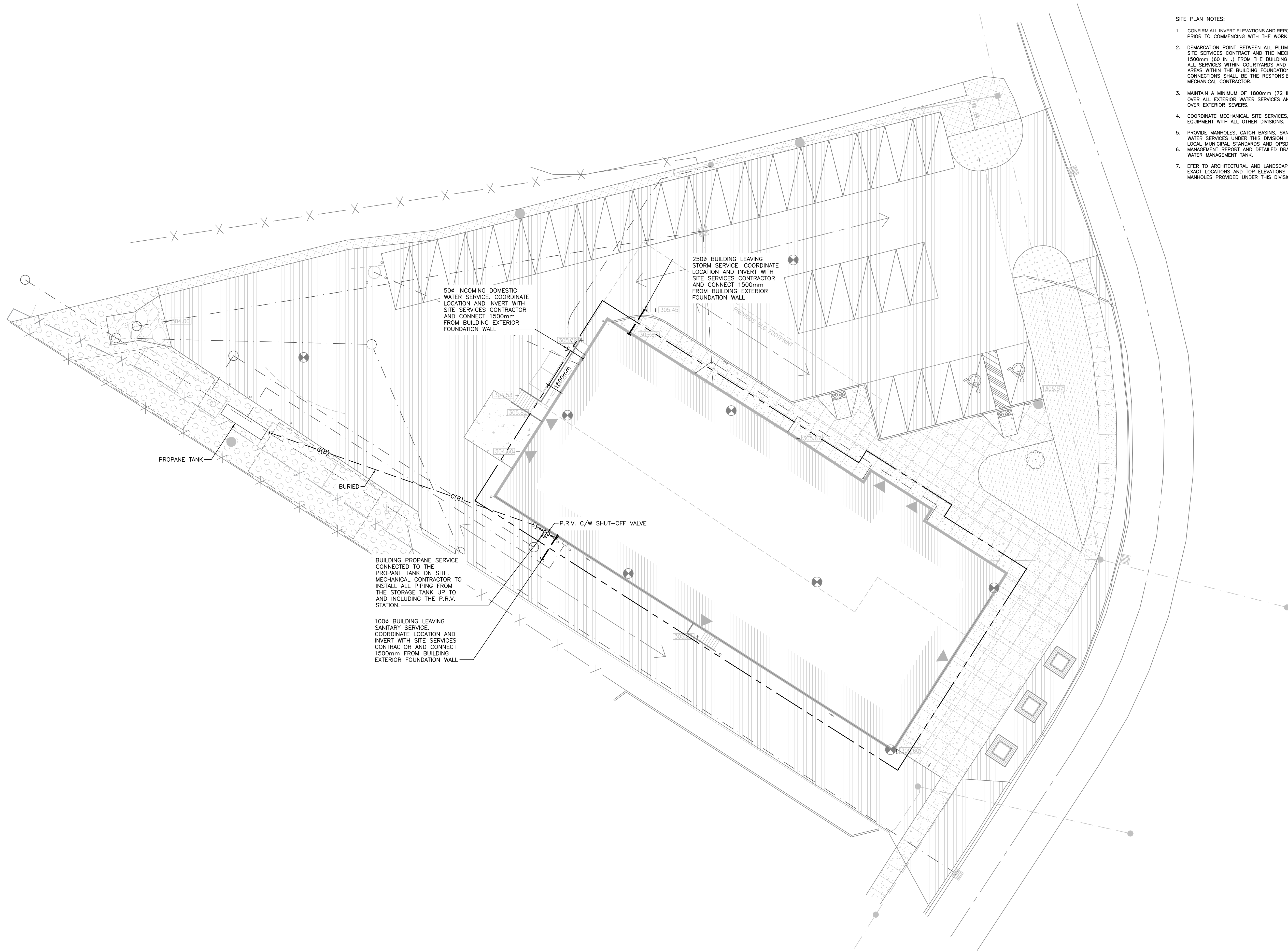
Smith + Anderson
1100 - 100 Sheppard Ave. East, Toronto On, M2N 6N5
416 487 8151 f 416 487 8104 smthanderson.com

GENERAL NOTES:

- DO NOT SCALE DRAWINGS. THE LOCATIONS OF ALL ITEMS SHOWN ON THE DRAWINGS OR SPECIFIED THAT ARE NOT DEFINITELY FIXED BY DIMENSIONS ARE APPROXIMATE. DETERMINE THE EXACT LOCATIONS NECESSARY TO SECURE THE BEST CONDITIONS AND RESULTS BASED ON SITE CONDITIONS. REVIEW ALL REVISIONS WITH THE CONSULTANT.
- READ FLOOR PLANS IN CONJUNCTION WITH SCHEMATICS. ASSUME INFORMATION SHOWN ON FLOOR PLANS TO BE APPLICABLE TO THE RELATED SYSTEM SCHEMATIC AND VICE-VERSA TO PROVIDE A COMPLETE AND OPERATIONAL SYSTEM.
- VERIFY STRUCTURAL INTEGRITY OF ALL TEMPORARY AND PERMANENT OPENINGS. PROVIDE ADDITIONAL FRAMING TO ENSURE STRUCTURAL INTEGRITY AS REQUIRED.
- REFER TO THE STANDARD DETAILS AND DETAIL SHEETS FOR ADDITIONAL INFORMATION.

SITE PLAN NOTES:

- CONFIRM ALL INVERT ELEVATIONS AND REPORT ANY DISCREPANCIES PRIOR TO COMMENCING WITH THE WORK.
- DEMARCATION POINT BETWEEN ALL PLUMBING AND DRAINAGE SITE SERVICES CONTRACT AND THE MECHANICAL CONTRACT IS 1500mm (60 IN.) FROM THE BUILDING PERIMETER. PROVIDE ALL SERVICES WITHIN COURTYARDS AND SOODED OR PAVED AREAS WITHIN THE BUILDING FOUNDATION WALL. ALL FINAL CONNECTIONS SHALL BE THE RESPONSIBILITY OF THE MECHANICAL CONTRACTOR.
- MAINTAIN A MINIMUM OF 1800mm (72 IN.) OF GROUND COVER OVER ALL EXTERIOR WATER SERVICES AND 1200MM (48 IN.) OVER EXTERIOR SEWERS.
- COORDINATE MECHANICAL SITE SERVICES, PIPING, AND EQUIPMENT WITH ALL OTHER DIVISIONS.
- PROVIDE MANHOLES, CATCH BASINS, SANITARY SEWERS AND WATER SERVICES UNDER THIS DIVISION IN ACCORDANCE WITH LOCAL MUNICIPAL STANDARDS AND CPD SERIES STANDARDS. MANAGEMENT REPORT AND DETAILED DRAWING OF THE STORM WATER MANAGEMENT TANK.
- REFER TO ARCHITECTURAL AND LANDSCAPE DRAWINGS FOR THE EXACT LOCATIONS AND TOP ELEVATIONS OF CATCHBASINS AND MANHOLES PROVIDED UNDER THIS DIVISION.



SAYERS FOOD LIMITED

132 BURLEIGH STREET
t: 705.656.4531
e: sayers@apsley.ca

NORTH ARROW SEAL

PROJECT TITLE
**NEW SAYERS FOOD STORE
BURLEIGH STREET, APSLEY**

DRAWING TITLE
SITE PLAN MECHANICAL

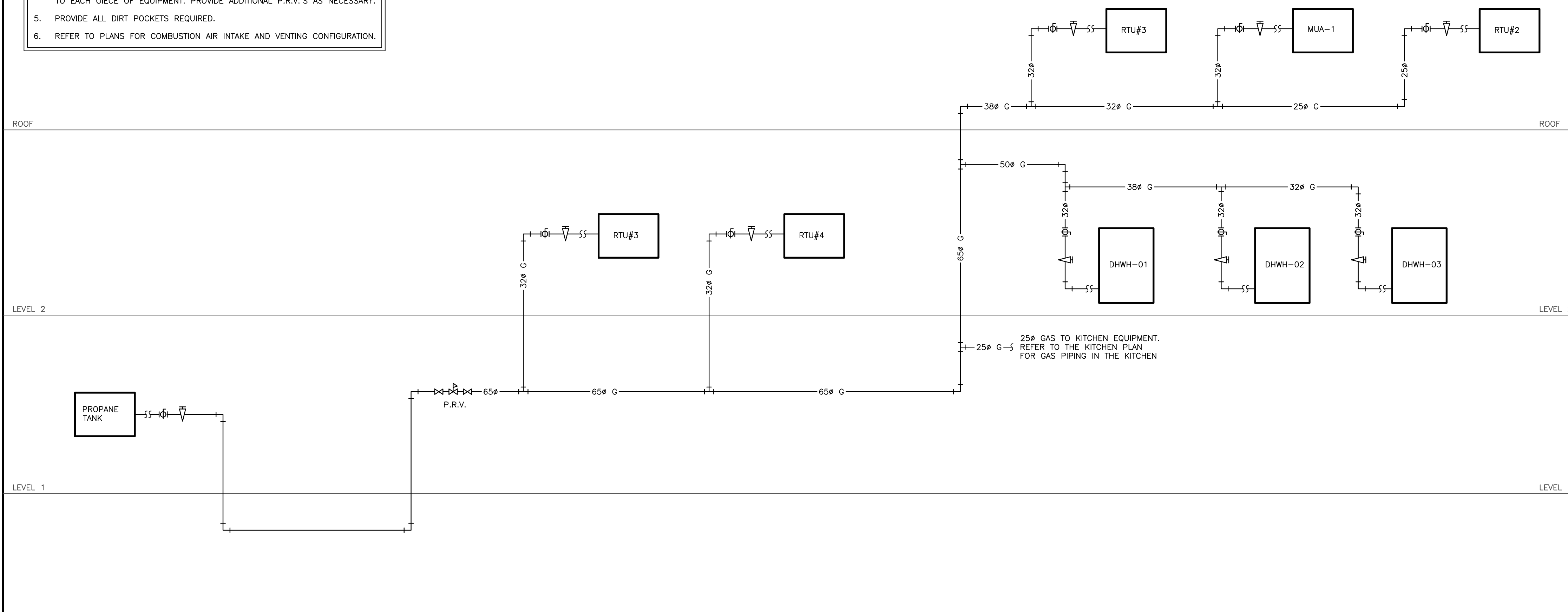
SCALE
1:200

DATE
JUNE 16, 2021

PROJECT NUMBER
21376

DRAWING NUMBER
M100

- NOTES:**
- REFER TO STANDARD DETAILS FOR EQUIPMENT INSTALLATION REQUIREMENTS.
 - GAS PRESSURE DOWNSTREAM OF P.R.V.'S TO BE 2 kPa (BIN. W.G.) UNLESS SPECIFIED OTHERWISE.
 - VENT ALL P.R.V.'S TO ATMOSPHERE.
 - MECHANICAL CONTRACTOR SHALL ROUGH-IN AND MAKE FINAL CONNECTION TO EACH PIECE OF EQUIPMENT. PROVIDE ADDITIONAL P.R.V.'S AS NECESSARY.
 - PROVIDE ALL DIRT POCKETS REQUIRED.
 - REFER TO PLANS FOR COMBUSTION AIR INTAKE AND VENTING CONFIGURATION.



1 GAS SCHEMATIC

- GENERAL NOTES:**
- DO NOT SCALE DRAWINGS. THE LOCATIONS OF ALL ITEMS SHOWN ON THE DRAWINGS OR SPECIFIED THAT ARE NOT DEFINITELY FIXED BY DIMENSIONS ARE APPROXIMATE. DETERMINE THE EXACT LOCATIONS NECESSARY TO SECURE THE BEST CONDITIONS AND RESULTS BASED ON SITE CONDITIONS. REVIEW ALL REVISIONS WITH THE CONSULTANT.
 - READ FLOOR PLANS IN CONJUNCTION WITH SCHEMATICS. ASSUME INFORMATION SHOWN ON FLOOR PLANS TO BE APPLICABLE TO THE RELATED SYSTEM SCHEMATIC AND VICE-VERSA TO PROVIDE A COMPLETE AND OPERATIONAL SYSTEM.
 - VERIFY STRUCTURAL INTEGRITY OF ALL TEMPORARY AND PERMANENT OPENINGS. PROVIDE ADDITIONAL FRAMING TO ENSURE STRUCTURAL INTEGRITY AS REQUIRED.
 - REFER TO THE STANDARD DETAILS AND DETAIL SHEETS FOR ADDITIONAL INFORMATION.

- SCHEMATIC NOTES:**
- READ SCHEMATICS IN CONJUNCTION WITH FLOOR PLANS. ASSUME INFORMATION SHOWN ON FLOOR PLANS TO BE APPLICABLE TO THE RELATED SYSTEM SCHEMATIC AND VICE-VERSA TO PROVIDE A COMPLETE AND OPERATIONAL SYSTEM.
 - VERIFY STATIC AND OPERATING PRESSURES AT ALL POINTS IN THE SYSTEMS AND ENSURE PIPING, FITTINGS, COMPONENTS, ETC. ARE SUITABLE FOR THESE CONDITIONS.
 - HANGERS, SUPPORTS, ANCHORS, GUIDES AND RESTRAINTS, WHERE INDICATED, ARE SHOWN FOR GUIDANCE ONLY. ENSURE ALL COMPONENTS ARE LOCATED AND DESIGNED TO WITHSTAND ALL STATIC AND DYNAMIC FORCES. PROVIDE SHOP DRAWINGS SEALED BY A PROFESSIONAL ENGINEER. REFER TO THE SPECIFICATION FOR DETAILS. PROVIDE INTERMEDIATE GUIDES AS REQUIRED.
 - PROVIDE TYPE CV-1 CONTROL VALVES UNLESS INDICATED OTHERWISE.

Contractor must check and verify all dimensions on the job, and report any discrepancies to the Architect before proceeding with the work. Do not scale this drawing.

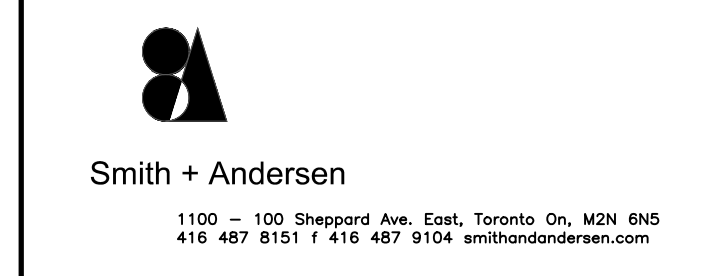
REV	DESCRIPTION	DATE	BY
1	ISSUED FOR TENDER	2021.08.25	
2	ISSUED FOR PERMIT	2021.09.09	
3	RE-ISSUED FOR TENDER AND PERMIT	2022.01.31	
4	ISSUED FOR CONSTRUCTION	2022.07.15	
5			
6			
7			
8			

MJMA
 maclean jaunkains miller architects
 425 adelade street west level 6
 toronto ontario m5v 3c1
 416 593 6796
 www.mjmaarchitects.com

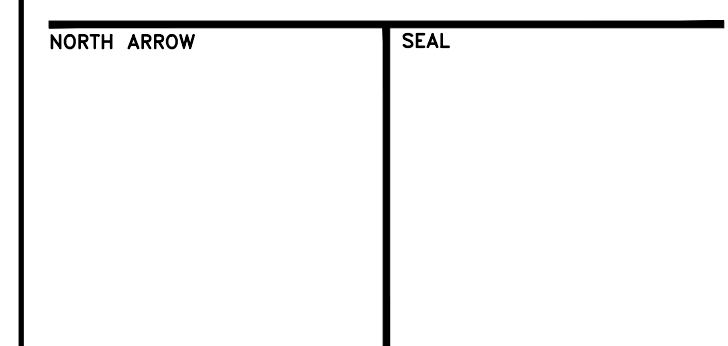
TRITON ENGINEERING SERVICES LTD
 CIVIL ENGINEERS
 18 ROBB BOULEVARD - UNIT 8
 ORANGEVILLE, ONTARIO
 TEL 519 941 0330 FAX 519 941 1830

BLACKWELL
 STRUCTURAL ENGINEERS
 134 PETER STREET, SUITE 1301
 TORONTO, ONTARIO, M5V 2H2
 TEL 416.593.5300 FAX 416.593.4840

SMITH + ANDERSON
 MECHANICAL AND ELECTRICAL ENGINEERS
 1100 - 100 SHEPPARD AVENUE EAST
 TORONTO, ONTARIO, M2N 6N5
 TEL 416.487.8151



SAYERS FOOD LIMITED
 132 BURLEIGH STREET
 t: 705.656.4531
 e: sayers@apsley.ca



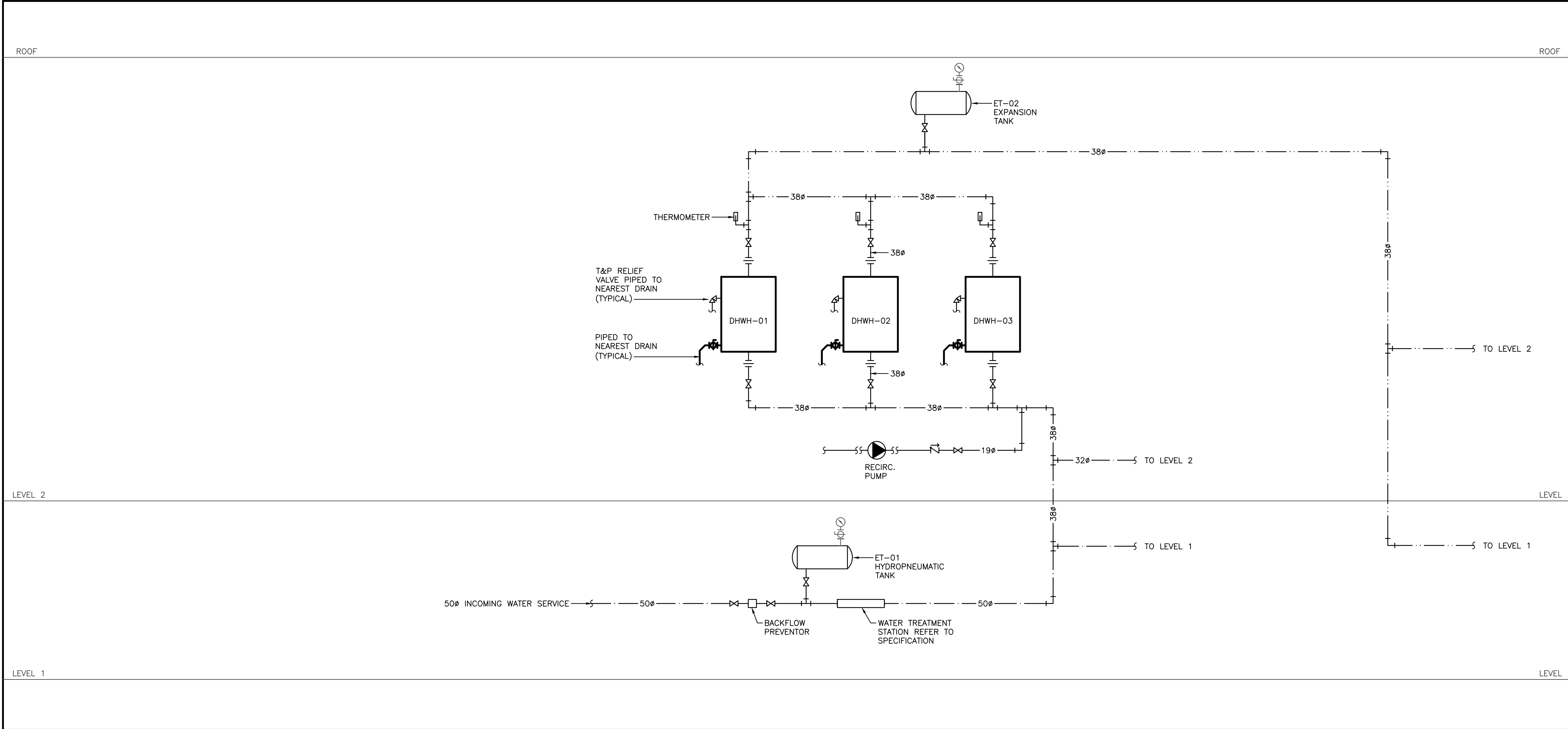
PROJECT TITLE
**NEW SAYERS FOOD STORE
 BURLEIGH STREET, APSLEY**

DRAWING TITLE
MECHANICAL SCHEMATICS

SCALE
 N.T.S.
 DATE
JUNE 16, 2021

PROJECT NUMBER
21376
 DRAWING NUMBER

M200



2 DOMESTIC WATER SCHEMATIC

Contractor must check and verify all dimensions on the job, and report any discrepancies to the Architect before proceeding with the work. Do not scale this drawing.

REVISIONS AND ISSUES

REV	DESCRIPTION	DATE	BY
1	ISSUED FOR TENDER	2021.08.25	
2	ISSUED FOR PERMIT	2021.09.09	
3	RE-ISSUED FOR TENDER AND PERMIT	2022.01.31	
4	ISSUED FOR CONSTRUCTION	2022.07.15	
5			
6			
7			
8			

MJMA

maclennan jaunkains miller architects
 425 adelaide street west level 6
 toronto ontario m5v 3c1
 416 593 6796
 www.mjmaarchitects.com

TRITON ENGINEERING SERVICES LTD

CIVIL ENGINEERS
 18 ROBB BOULEVARD - UNIT 8
 ORANGEVILLE, ONTARIO
 TEL 519 941 0330 FAX 519 941 1830

BLACKWELL

STRUCTURAL ENGINEERS
 134 PETER STREET, SUITE 1301
 TORONTO, ONTARIO, M5V 2H2
 TEL 416.593.5300 FAX 416.593.4840

SMITH + ANDERSON

MECHANICAL AND ELECTRICAL ENGINEERS
 1100 - 100 SHEPPARD AVENUE EAST
 TORONTO, ONTARIO, M2N 6N5
 TEL 416.487.8151



Smith + Andersen

1100 - 100 Sheppard Ave. East, Toronto On, M2N 6N5
 416 487 8151 f 416 487 8104 smthandanderson.com

SAYERS FOOD LIMITED

132 BURLEIGH STREET
 t: 705.656.4531
 e: sayers@apsley.ca

NORTH ARROW	SEAL
-------------	------

PROJECT TITLE
**NEW SAYERS FOOD STORE
 BURLEIGH STREET, APSLEY**

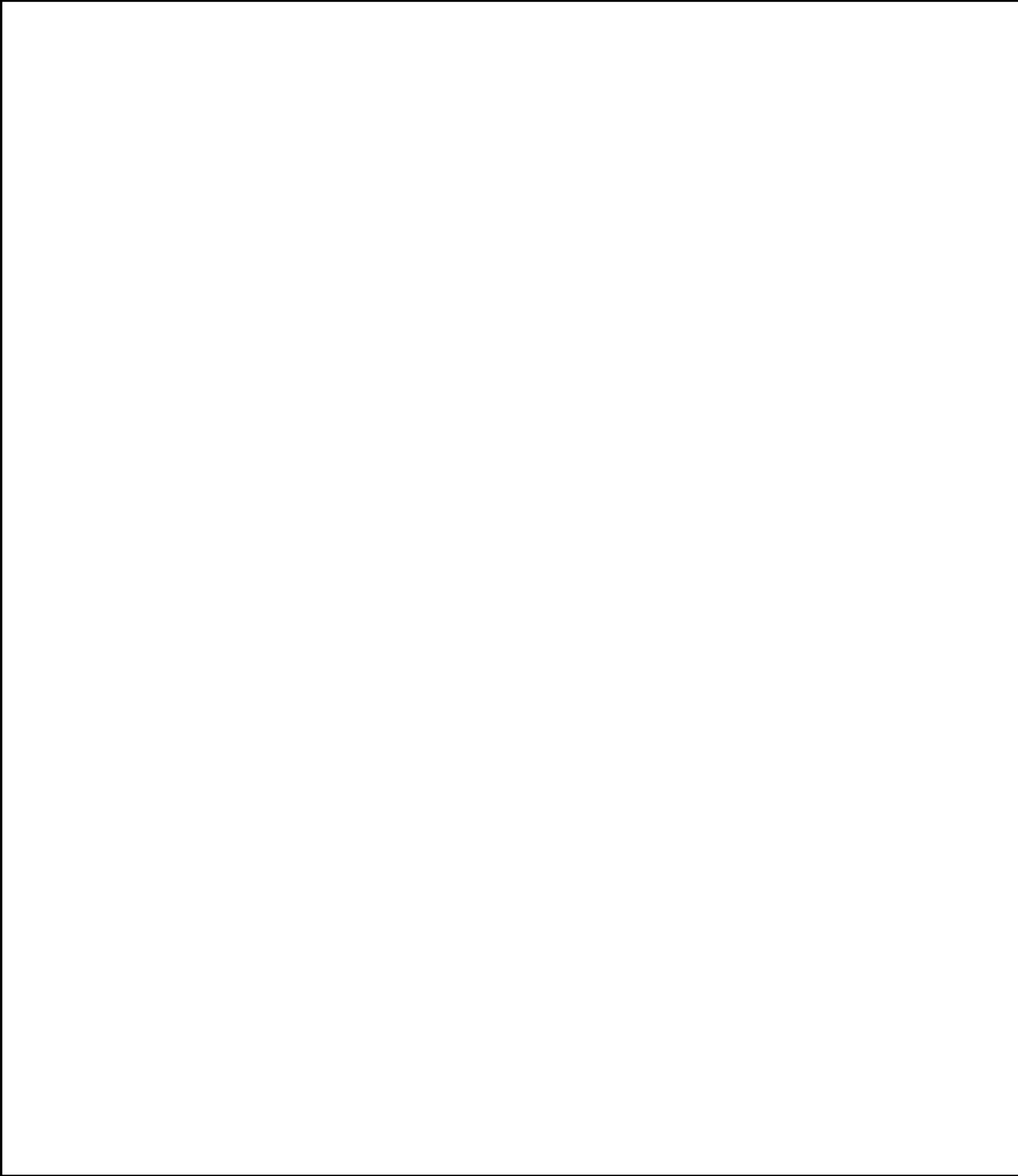
DRAWING TITLE
PLUMBING SCHEMATICS

SCALE
 N.T.S.

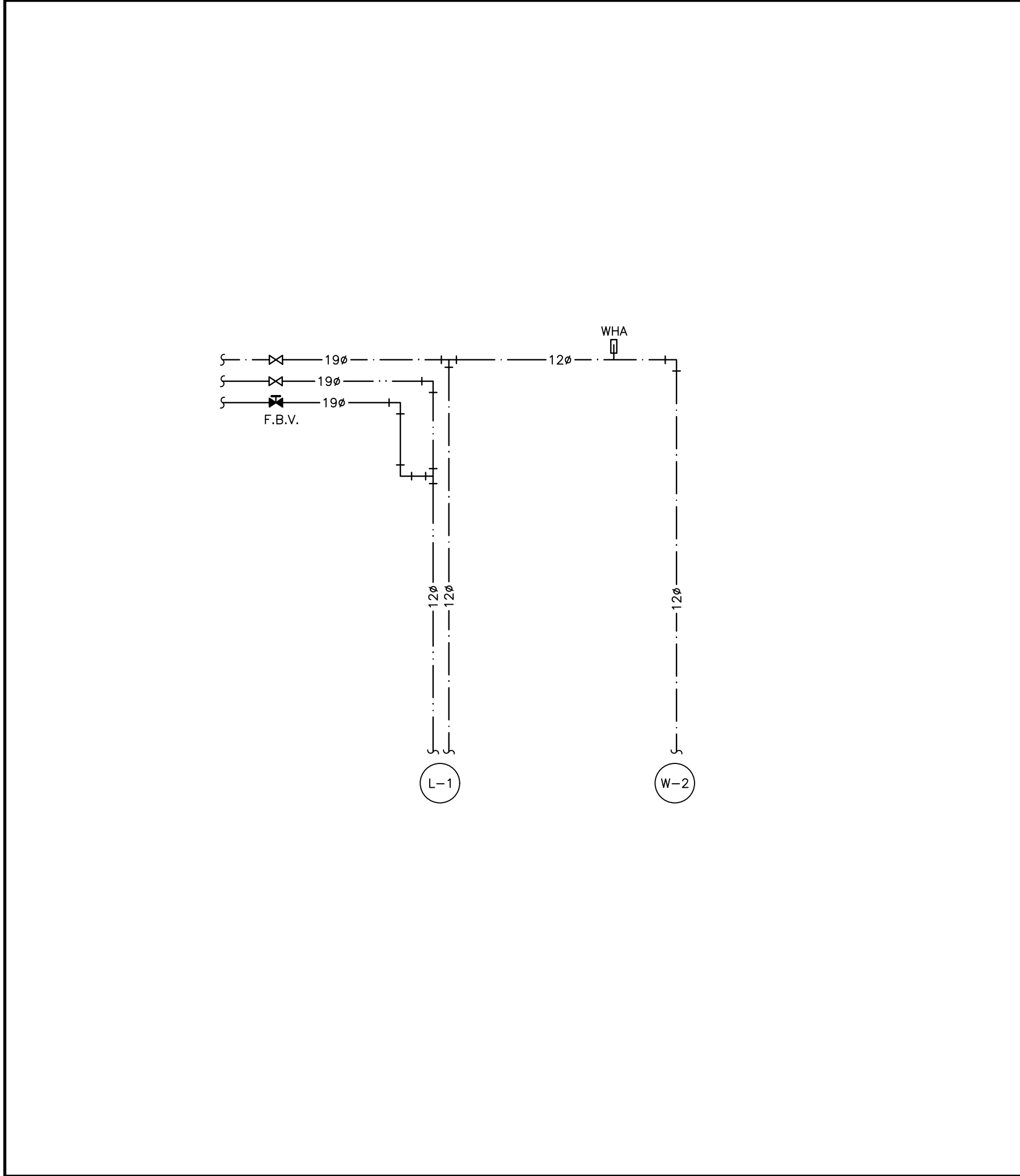
DATE
JUNE 16, 2021

PROJECT NUMBER
21376

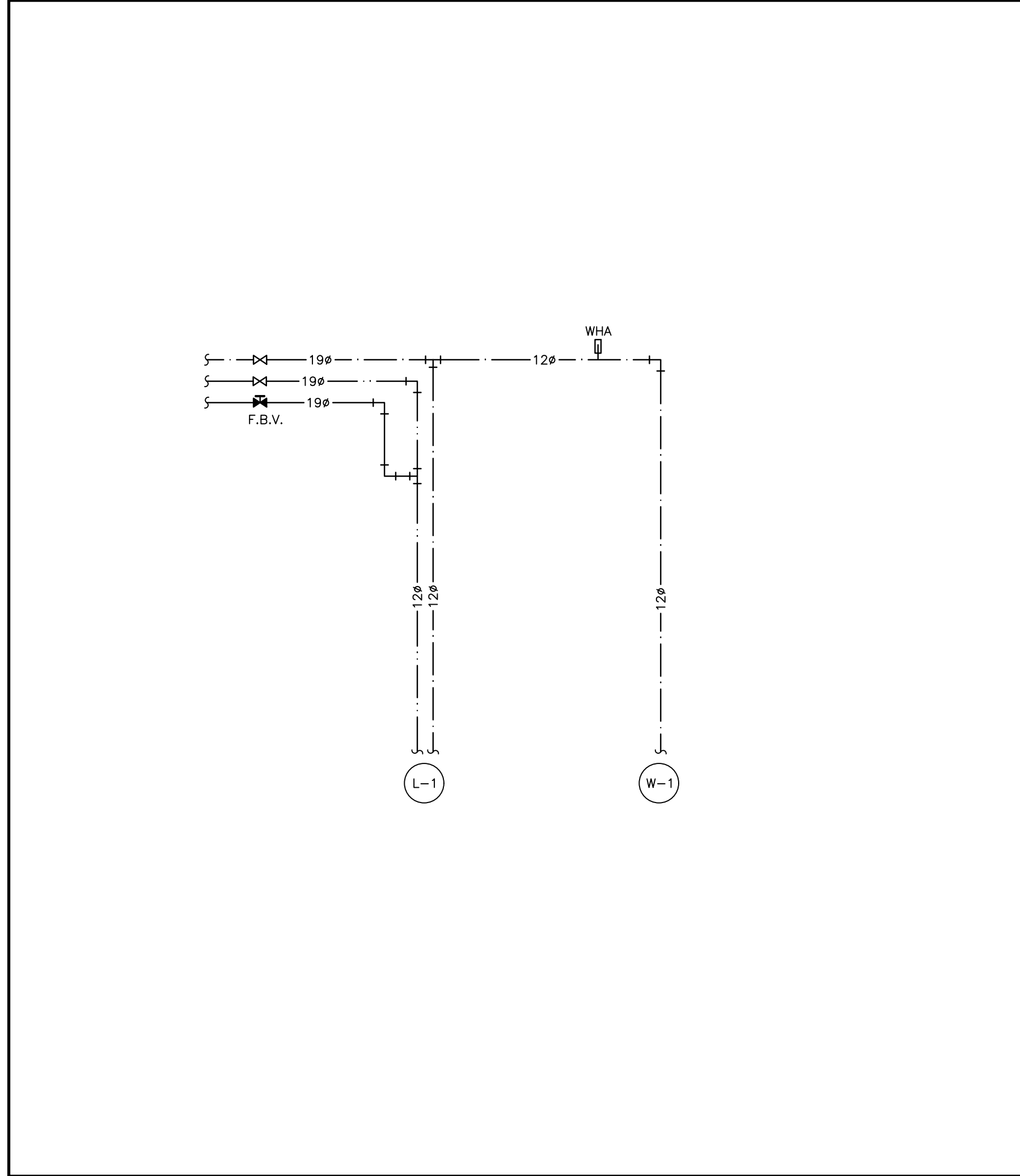
DRAWING NUMBER
M201



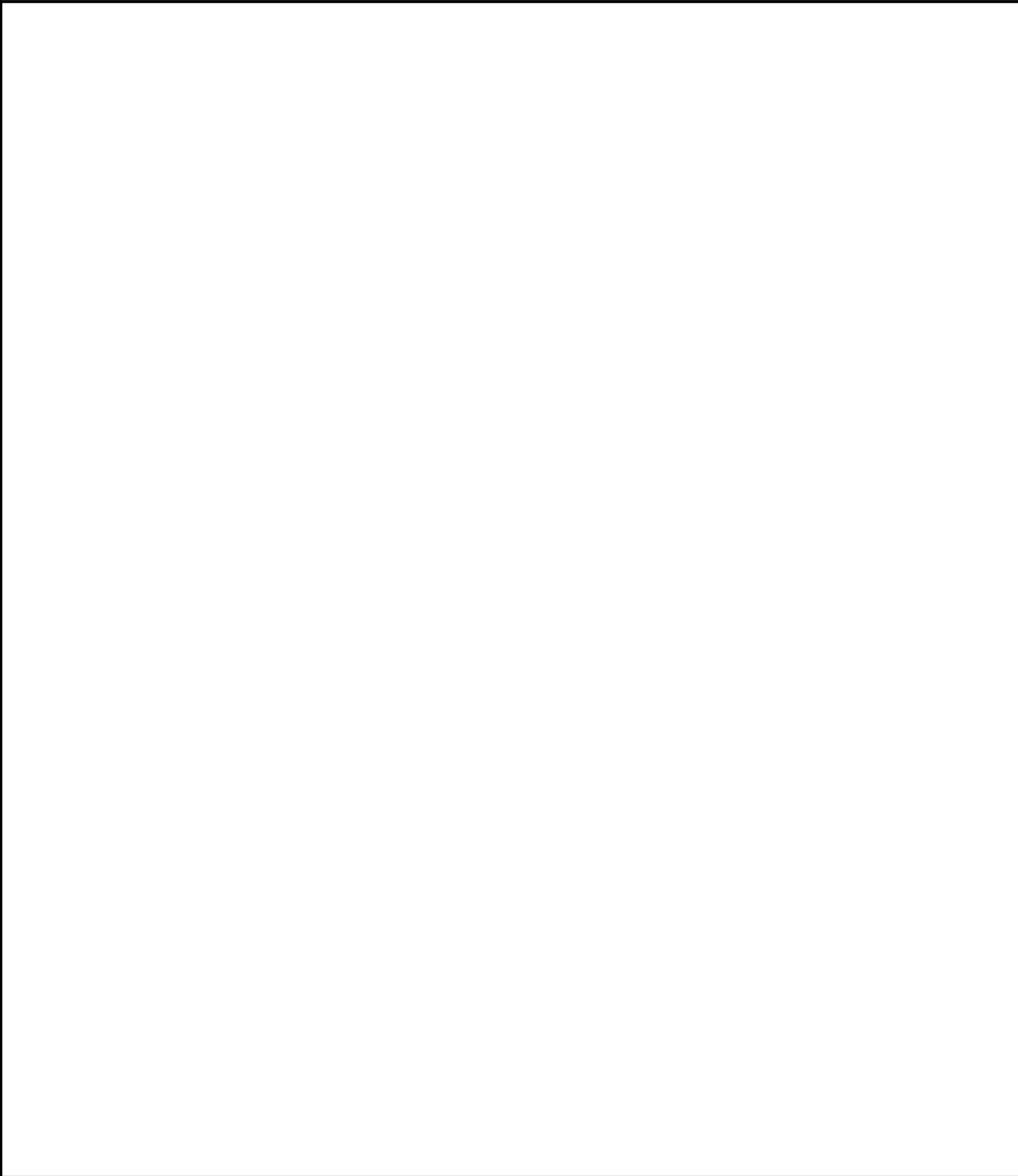
5 NOT USED
 M201



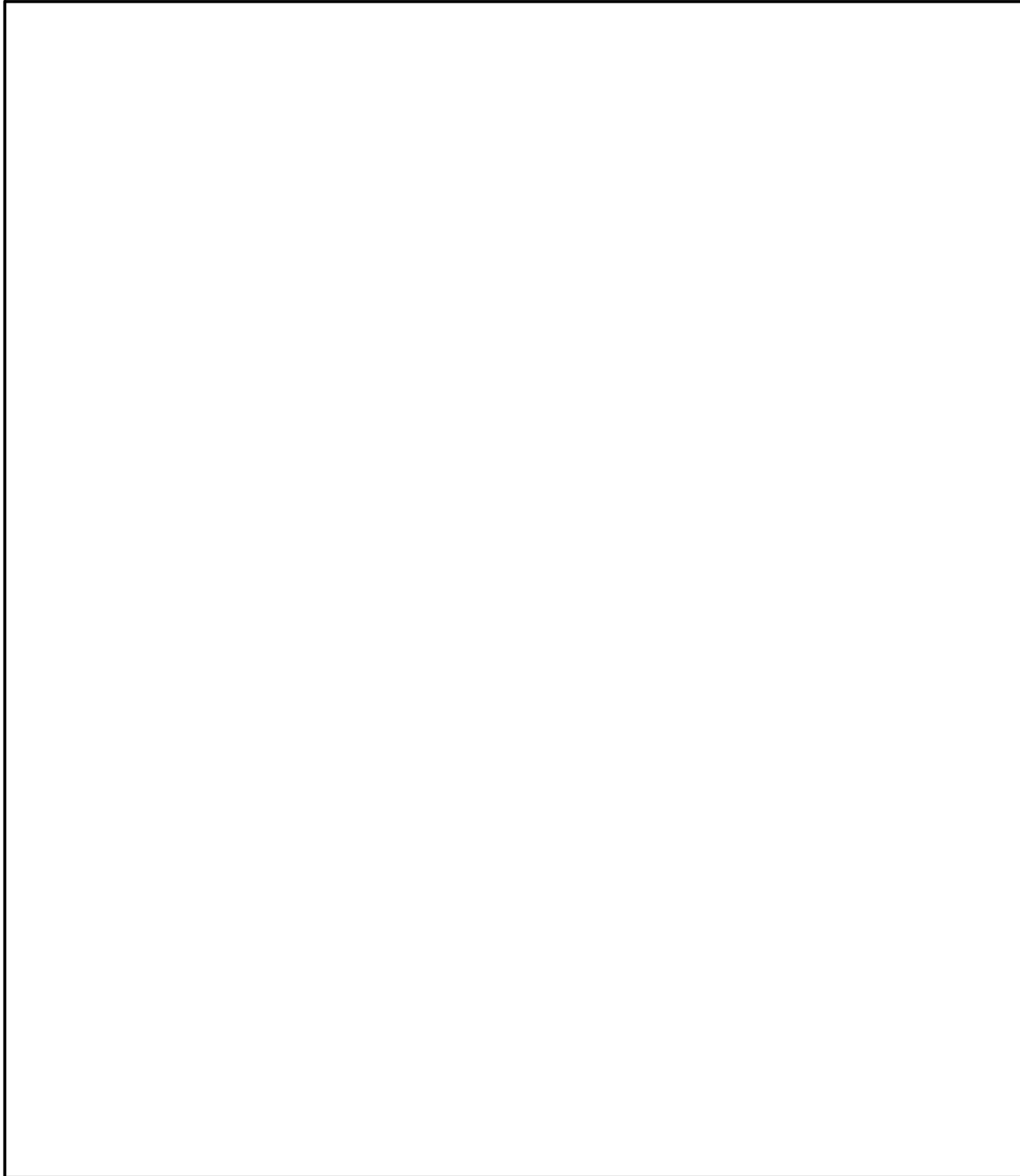
3 BARRIER FREE WASHROOM
 M201



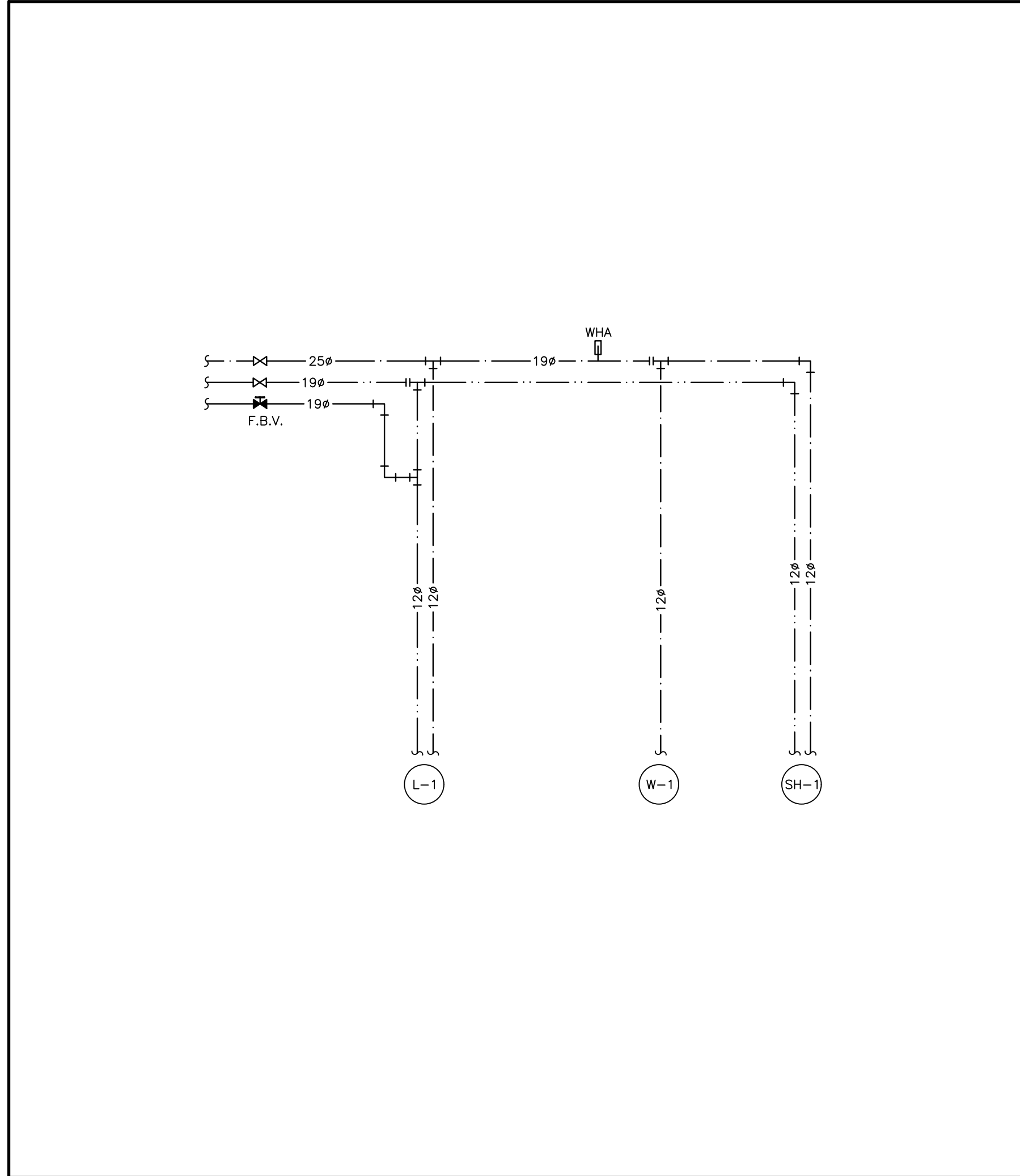
1 WASHROOM
 M201



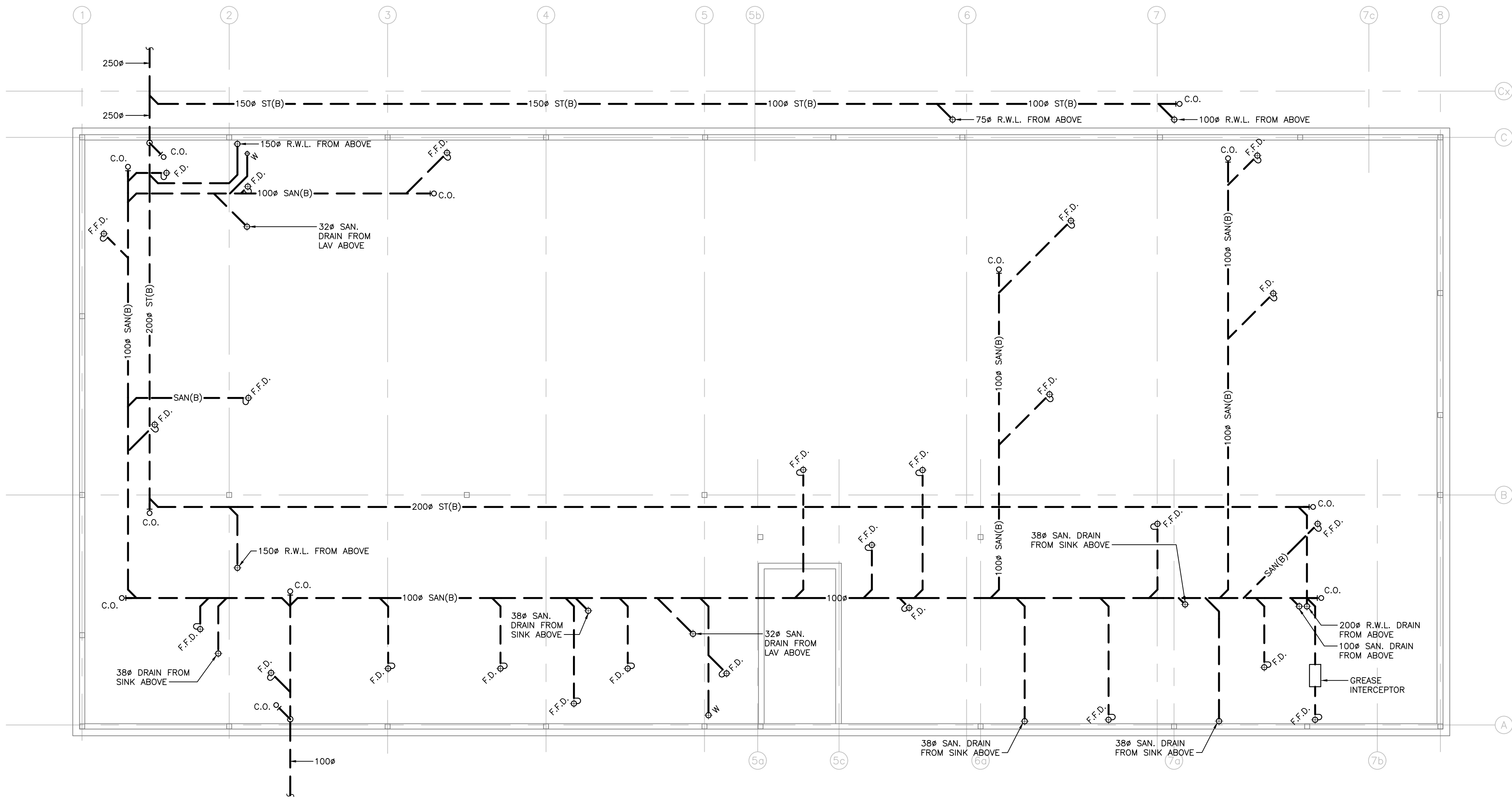
6 NOT USED
 M201



4 NOT USED
 M201



2 WASHROOM WITH SHOWER
 M201



GENERAL NOTES:

- DO NOT SCALE DRAWINGS. THE LOCATIONS OF ALL ITEMS SHOWN ON THE DRAWINGS OR SPECIFIED THAT ARE NOT DEFINITELY FIXED BY DIMENSIONS ARE APPROXIMATE. DETERMINE THE EXACT LOCATIONS NECESSARY TO SECURE THE BEST CONDITIONS AND RESULTS BASED ON SITE CONDITIONS. REVIEW ALL REVISIONS WITH THE CONSULTANT.
- READ FLOOR PLANS IN CONJUNCTION WITH SCHEMATICS. ASSUME INFORMATION SHOWN ON FLOOR PLANS TO BE APPLICABLE TO THE RELATED SYSTEM SCHEMATIC AND VICE-VERSA TO PROVIDE A COMPLETE AND OPERATIONAL SYSTEM.
- VERIFY STRUCTURAL INTEGRITY OF ALL TEMPORARY AND PERMANENT OPENINGS. PROVIDE ADDITIONAL FRAMING TO ENSURE STRUCTURAL INTEGRITY AS REQUIRED.
- REFER TO THE STANDARD DETAILS AND DETAIL SHEETS FOR ADDITIONAL INFORMATION.

PLUMBING AND DRAINAGE NOTES:

- PROVIDE MINIMUM 75mm (3 IN.) FOR UNDER GROUND SANITARY DRAINAGE UNLESS INDICATED OTHERWISE.
- PROVIDE APPROVED BACK FLOW PREVENTION FOR ALL TRAP PRIMER SYSTEMS.
- PROVIDE MINIMUM 100mm (4 IN.) FOR UNDER GROUND DRAINAGE UNLESS INDICATED OTHERWISE.
- PROVIDE MINIMUM 19mm (3/4 IN.) DOMESTIC COLD WATER AND DOMESTIC HOT WATER PIPES UNLESS INDICATED OTHERWISE.
- INSTALL ALL PIPING OVERHEAD, TIGHT TO UNDERSIDE OF THE STRUCTURE WITH SUFFICIENT ROOM FOR INSULATION UNLESS INDICATED OTHERWISE. ROUTE PIPING WITHIN STRUCTURAL STEEL STRATA OR THROUGH CONCRETE BEAMS WHERE PRACTICAL.
- HEAT TRACE THE ENTIRE SERVICE TO BE PROTECTED FROM FREEZING IN ALL AREAS INDICATED ON THE DRAWINGS AND NOTED IN THE SPECIFICATIONS. PROVIDE HEAT TRACING TO ACCOMMODATE ALTERATIONS IN THE PIPE LAYOUT DUE TO INTERFERENCES OR OTHER INSTALLATION REQUIREMENTS. CONNECT HEAT TRACING CIRCUIT TO THE ELECTRICAL POWER LOCATIONS INDICATED ON THE DRAWINGS OR THE NEAREST CIRCUIT AVAILABLE. COORDINATE WITH ELECTRICAL DIVISION.
- PROVIDE SHUT-OFF VALVES ON ALL MAIN RISERS AND AT EACH CONNECTION TO EQUIPMENT.
- PROVIDE COMPLETE VENTING SYSTEMS IN ACCORDANCE WITH THE PLUMBING OR BUILDING CODE.
- HEAT TRACE ALL PIPING WITHIN UNHEATED SPACES SUCH AS PARKING LEVELS, SOFFITS AND WITHIN WALLS WHERE FREEZING MAY OCCUR.

Contractor must check and verify all dimensions on the job, and report any discrepancies to the Architect before proceeding with the work. Do not scale this drawing.

REVISIONS AND ISSUES

REV	DESCRIPTION	DATE	BY
1	ISSUED FOR TENDER	2021.08.25	
2	ISSUED FOR PERMIT	2021.09.09	
3	ISSUED FOR ADDENDUM #1	2021.09.15	
4	ISSUED FOR ADDENDUM #2	2021.09.27	
5	RE-ISSUED FOR TENDER AND PERMIT	2022.01.31	
6	ISSUED FOR CONSTRUCTION	2022.07.15	
7			
8			

MJMA

maclennan jaunkains miller architects
 425 adelade street west level 6
 toronto ontario m5v 3c1
 416 593 6796
 www.mjmaarchitects.com

TRITON ENGINEERING SERVICES LTD

CIVIL ENGINEERS
 18 ROBB BOULEVARD - UNIT 8
 ORANGEVILLE, ONTARIO
 TEL 519 941 0330 FAX 519 941 1830

BLACKWELL

STRUCTURAL ENGINEERS
 134 PETER STREET, SUITE 1301
 TORONTO, ONTARIO, M5V 2H2
 TEL 416.593.5300 FAX 416.593.4840

SMITH + ANDERSON

MECHANICAL AND ELECTRICAL ENGINEERS
 1100 - 100 SHEPPARD AVENUE EAST
 TORONTO, ONTARIO, M2N 6N5
 TEL 416.487.8151

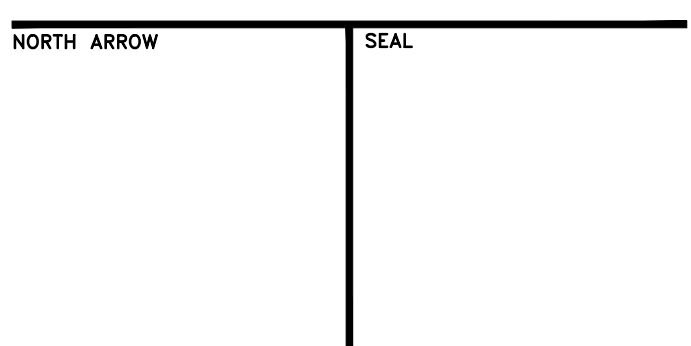


Smith + Anderson

1100 - 100 Sheppard Ave. East, Toronto On, M2N 6N5
 416 487 8151 f 416 487 8104 smthandanderson.com

SAYERS FOOD LIMITED

132 BURLEIGH STREET
 t: 705.656.4531
 e: sayers@apsley.ca



PROJECT TITLE
**NEW SAYERS FOOD STORE
 BURLEIGH STREET, APSLEY**

DRAWING TITLE
**FOUNDATION PLAN
 PLUMBING AND DRAINAGE**

SCALE
 1:100

DATE
JUNE 16, 2021

PROJECT NUMBER
21376

DRAWING NUMBER
M300

Contractor must check and verify all dimensions on the job, and report any discrepancies to the Architect before proceeding with the work. Do not scale this drawing.

REVISIONS AND ISSUES

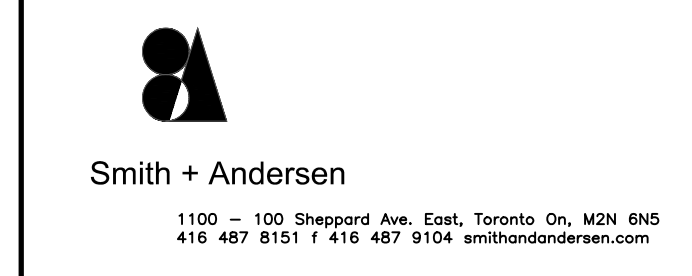
REV	DESCRIPTION	DATE	BY
1	ISSUED FOR TENDER	2021.08.25	
2	ISSUED FOR PERMIT	2021.09.09	
3	ISSUED FOR ADDENDUM #1	2021.09.15	
4	ISSUED FOR ADDENDUM #2	2021.09.27	
5	RE-ISSUED FOR TENDER AND PERMIT	2022.01.31	
6	ISSUED FOR CONSTRUCTION	2022.07.15	
7			
8			

MJMA
 maclennan jaunkains miller architects
 425 adelade street west level 6
 toronto ontario m5v 3c1
 416 593 6796
 www.mjmaarchitects.com

TRITON ENGINEERING SERVICES LTD
 CIVIL ENGINEERS
 18 ROBB BOULEVARD - UNIT 8
 ORANGEVILLE, ONTARIO
 TEL 519 941 0330 FAX 519 941 1830

BLACKWELL
 STRUCTURAL ENGINEERS
 134 PETER STREET, SUITE 1301
 TORONTO, ONTARIO, M5V 2H2
 TEL 416-593-5300 FAX 416-593-4840

SMITH + ANDERSON
 MECHANICAL AND ELECTRICAL ENGINEERS
 1100 - 100 SHEPPARD AVENUE EAST
 TORONTO, ONTARIO, M2N 6N5
 TEL 416-487-8151

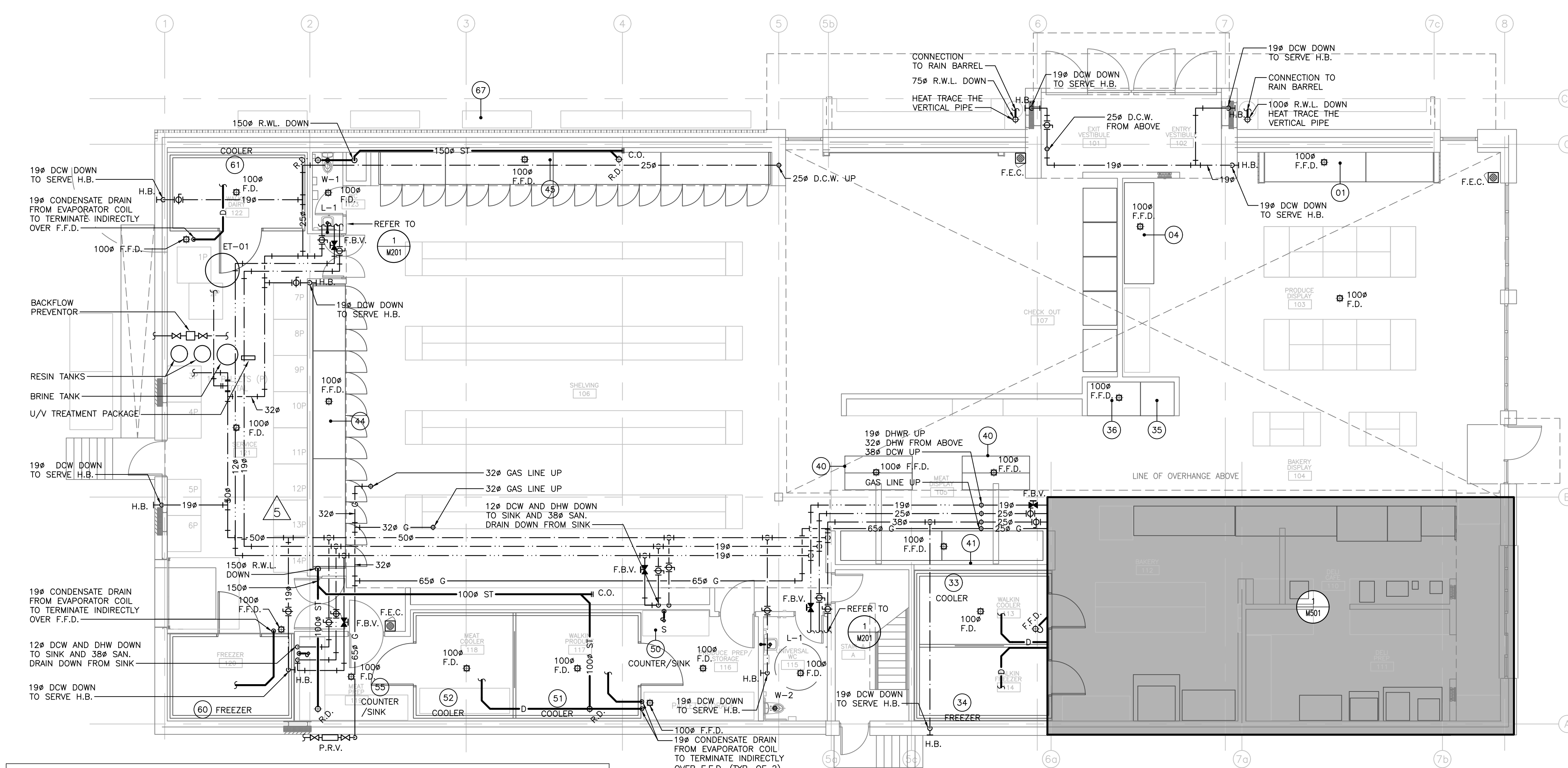


GENERAL NOTES:

- DO NOT SCALE DRAWINGS. THE LOCATIONS OF ALL ITEMS SHOWN ON THE DRAWINGS OR SPECIFIED THAT ARE NOT DEFINITELY FIXED BY DIMENSIONS ARE APPROXIMATE. DETERMINE THE EXACT LOCATIONS NECESSARY TO SECURE THE BEST CONDITIONS AND RESULTS BASED ON SITE CONDITIONS. REVIEW ALL REVISIONS WITH THE CONSULTANT.
- READ FLOOR PLANS IN CONJUNCTION WITH SCHEMATICS. ASSUME INFORMATION SHOWN ON FLOOR PLANS TO BE APPLICABLE TO THE RELATED SYSTEM SCHEMATIC AND VICE-VERSA TO PROVIDE A COMPLETE AND OPERATIONAL SYSTEM.
- VERIFY STRUCTURAL INTEGRITY OF ALL TEMPORARY AND PERMANENT OPENINGS. PROVIDE ADDITIONAL FRAMING TO ENSURE STRUCTURAL INTEGRITY AS REQUIRED.
- REFER TO THE STANDARD DETAILS AND DETAIL SHEETS FOR ADDITIONAL INFORMATION.

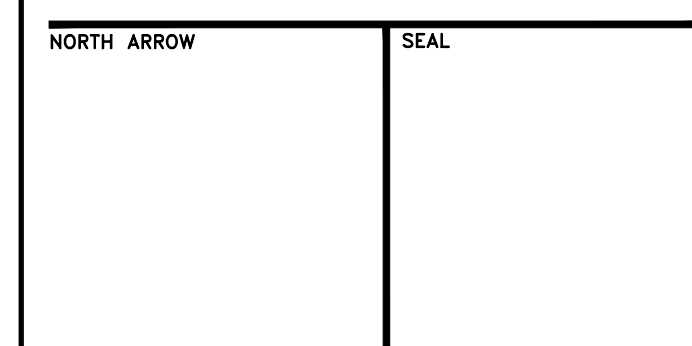
PLUMBING AND DRAINAGE NOTES:

- PROVIDE MINIMUM 75mm (3 IN.) FOR UNDER GROUND SANITARY DRAINAGE UNLESS INDICATED OTHERWISE.
- PROVIDE APPROVED BACK FLOW PREVENTION FOR ALL TRAP PRIMER SYSTEMS.
- PROVIDE MINIMUM 100mm (4 IN.) FOR UNDER GROUND STORM DRAINAGE UNLESS INDICATED OTHERWISE.
- PROVIDE MINIMUM 19mm (3/4 IN.) DOMESTIC COLD WATER AND DOMESTIC HOT WATER PIPES UNLESS INDICATED OTHERWISE.
- INSTALL ALL PIPING OVERHEAD, TIGHT TO UNDERSIDE OF THE STRUCTURE WITH SUFFICIENT ROOM FOR INSULATION UNLESS INDICATED OTHERWISE. ROUTE PIPING WITHIN STRUCTURAL STEEL STRAIN OR THROUGH CONCRETE BEAMS WHERE PRACTICAL.
- HEAT TRACE THE ENTIRE SERVICE TO BE PROTECTED FROM FREEZING IN ALL AREAS INDICATED ON THE DRAWINGS AND NOTED IN THE SPECIFICATIONS. PROVIDE HEAT TRACING TO ACCOMMODATE ALTERATIONS IN THE PIPE LAYOUT DUE TO INTERFERENCES OR OTHER INSTALLATION REQUIREMENTS. CONNECT HEAT TRACING CIRCUIT TO THE ELECTRICAL POWER LOCATIONS INDICATED ON THE DRAWINGS OR THE NEAREST CIRCUIT AVAILABLE. COORDINATE WITH ELECTRICAL DIVISION.
- PROVIDE SHUT-OFF VALVES ON ALL MAIN RISERS AND AT EACH CONNECTION TO EQUIPMENT.
- PROVIDE COMPLETE VENTING SYSTEMS IN ACCORDANCE WITH THE PLUMBING OR BUILDING CODE.
- HEAT TRACE ALL PIPING WITHIN UNHEATED SPACES SUCH AS PARKING LEVELS, SOFFITS AND WITHIN WALLS WHERE FREEZING MAY OCCUR.



KITCHEN EQUIPMENT SCHEDULE								
ITEM NO.	EQUIPMENT CATEGORY	COLD WATER SIZE(MM)	HOT WATER SIZE(MM)	FILTERED H2O	DIRECT DRAIN SIZE(MM)	INDIRECT DRAIN ROUGH-IN SIZE(MM)	GAS SIZE(MM)	MBTU/H
1	12' PRODUCE COOLER					38	FFD	
1	8' PRODUCE COOLER					38	FFD	
4	12' SALAD COOLER					38	FFD	
35	CAKE					38	FFD	
36	2 DOOR BAKERY FREEZER					38	FFD	
41	24' MEAT SHELF					38	FFD	
44	5 DOOR DAIRY SHELVING					38	FFD	
44	3 DOOR DAIRY SHELVING					38	FFD	
45	5 DOOR FREEZER SHELVING					38	FFD	
50	COUNTER/SINK	12	12		38			
51	COOLER					25	FD	
52	COOLER					25	FD	
55	COUNTER/SINKS	12	12		38			
60	FREEZER					38	FD	
61	COOLER					38	FD	

SAYERS FOOD LIMITED
 132 BURLEIGH STREET
 T: 705.656.4531
 e: sayers@apsley.ca



PROJECT TITLE
**NEW SAYERS FOOD STORE
 BURLEIGH STREET, APSLEY**

DRAWING TITLE
**GROUND FLOOR PLAN
 PLUMBING AND DRAINAGE**

SCALE
 1:100

DATE
JUNE 16, 2021

PROJECT NUMBER
21376

DRAWING NUMBER
M301

Contractor must check and verify all dimensions on the job, and report any discrepancies to the Architect before proceeding with the work. Do not scale this drawing.

REVISIONS AND ISSUES

REV	DESCRIPTION	DATE	BY
1	ISSUED FOR TENDER	2021.08.25	
2	ISSUED FOR PERMIT	2021.09.09	
3	ISSUED FOR ADDENDUM #1	2021.09.15	
4	ISSUED FOR ADDENDUM #2	2021.09.27	
5	RE-ISSUED FOR TENDER AND PERMIT	2022.01.31	
6	RE-ISSUED FOR PERMIT	2022.03.18	
7	ISSUED FOR CONSTRUCTION	2022.07.15	
8			

MJMA
 maclean jaunkains miller architects
 425 adelade street west level 6
 toronto ontario m5v 3c1
 416 593 6794
 www.mjmaarchitects.com

TRITON ENGINEERING SERVICES LTD
 CIVIL ENGINEERS
 18 ROBB BOULEVARD - UNIT 8
 ORANGEVILLE, ONTARIO
 TEL 519 941 0330 FAX 519 941 1830

BLACKWELL
 STRUCTURAL ENGINEERS
 134 PETER STREET, SUITE 1301
 TORONTO, ONTARIO, M5V 2H2
 TEL 416-593-5300 FAX 416-593-4840

SMITH + ANDERSON
 MECHANICAL AND ELECTRICAL ENGINEERS
 1100 - 100 SHEPPARD AVENUE EAST
 TORONTO, ONTARIO, M2N 6N5
 TEL 416-487-8151

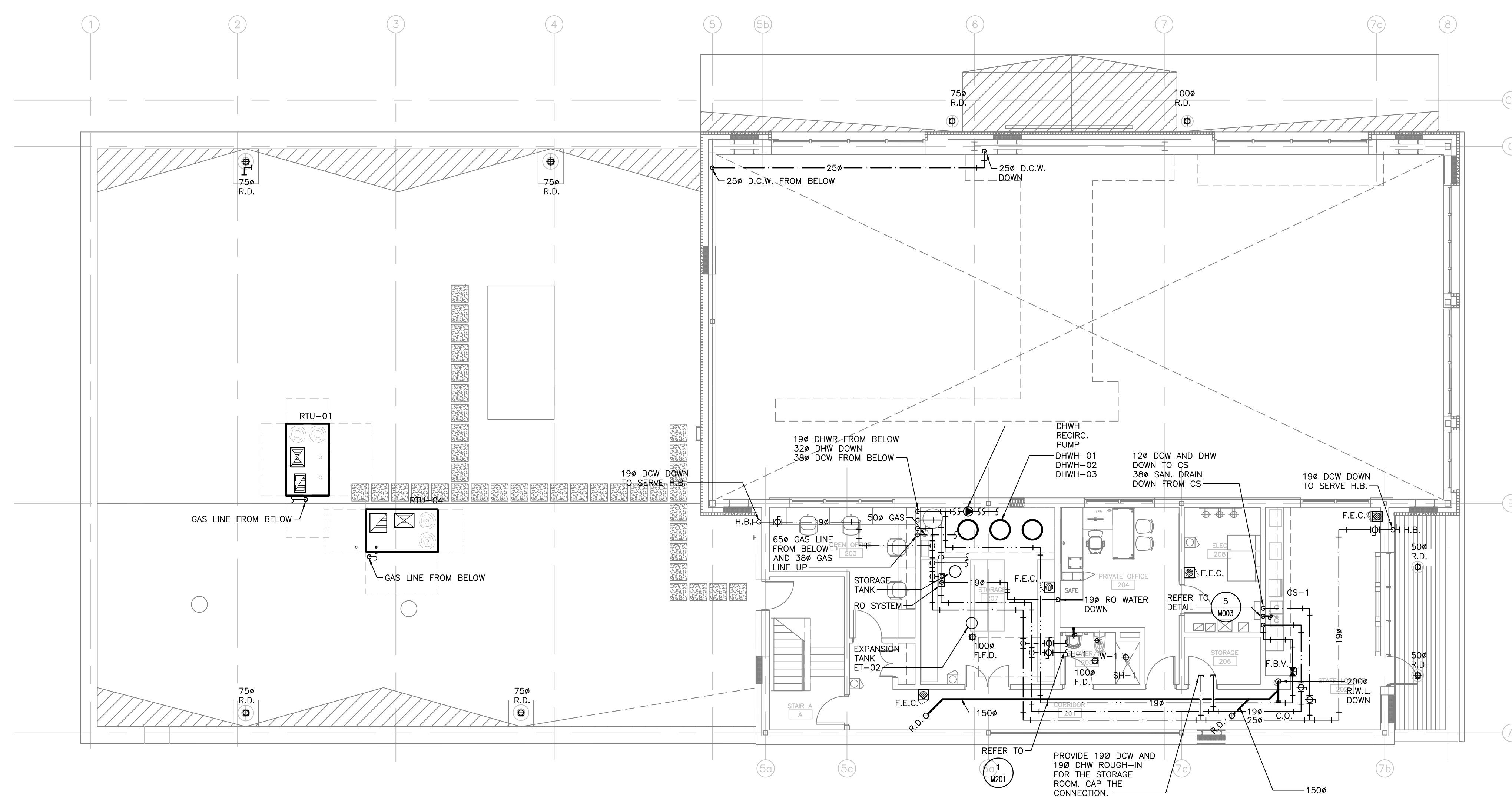


GENERAL NOTES:

- DO NOT SCALE DRAWINGS. THE LOCATIONS OF ALL ITEMS SHOWN ON THE DRAWINGS OR SPECIFIED THAT ARE NOT DEFINITELY FIXED BY DIMENSIONS ARE APPROXIMATE. DETERMINE THE EXACT LOCATIONS NECESSARY TO SECURE THE BEST CONDITIONS AND RESULTS BASED ON SITE CONDITIONS. REVIEW ALL REVISIONS WITH THE CONSULTANT.
- READ FLOOR PLANS IN CONJUNCTION WITH SCHEMATICS. ASSUME INFORMATION SHOWN ON FLOOR PLANS TO BE APPLICABLE TO THE RELATED SYSTEM SCHEMATIC AND VICE-VERSA TO PROVIDE A COMPLETE AND OPERATIONAL SYSTEM.
- VERIFY STRUCTURAL INTEGRITY OF ALL TEMPORARY AND PERMANENT OPENINGS. PROVIDE ADDITIONAL FRAMING TO ENSURE STRUCTURAL INTEGRITY AS REQUIRED.
- REFER TO THE STANDARD DETAILS AND DETAIL SHEETS FOR ADDITIONAL INFORMATION.

PLUMBING AND DRAINAGE NOTES:

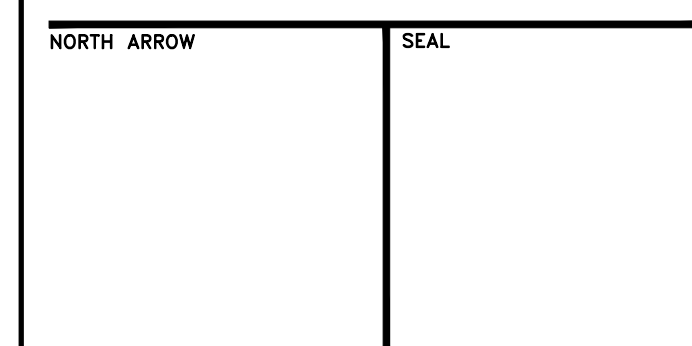
- PROVIDE MINIMUM 75mm (3 IN.) FOR UNDER GROUND SANITARY DRAINAGE UNLESS INDICATED OTHERWISE.
- PROVIDE APPROVED BACK FLOW PREVENTION FOR ALL TRAP PRIMER SYSTEMS.
- PROVIDE MINIMUM 100mm (4 IN.) FOR UNDER GROUND STORM DRAINAGE UNLESS INDICATED OTHERWISE.
- PROVIDE MINIMUM 19mm (3/4 IN.) DOMESTIC COLD WATER AND DOMESTIC HOT WATER PIPES UNLESS INDICATED OTHERWISE.
- INSTALL ALL PIPING OVERHEAD, TIGHT TO UNDERSIDE OF THE STRUCTURE WITH SUFFICIENT ROOM FOR INSULATION UNLESS INDICATED OTHERWISE. ROUTE PIPING WITHIN STRUCTURAL STEEL STRATA OR THROUGH CONCRETE BEAMS WHERE PRACTICAL.
- HEAT TRACE THE ENTIRE SERVICE TO BE PROTECTED FROM FREEZING IN ALL AREAS INDICATED ON THE DRAWINGS AND NOTED IN THE SPECIFICATIONS. PROVIDE HEAT TRACING TO ACCOMMODATE ALTERATIONS IN THE PIPE LAYOUT DUE TO INTERFERENCES OR OTHER INSTALLATION REQUIREMENTS. CONNECT HEAT TRACING CIRCUIT TO THE ELECTRICAL POWER LOCATIONS INDICATED ON THE DRAWINGS OR THE NEAREST CIRCUIT AVAILABLE. COORDINATE WITH ELECTRICAL DIVISION. PROVIDE SHUT-OFF VALVES ON ALL MAIN RISERS AND AT EACH CONNECTION TO EQUIPMENT.
- PROVIDE COMPLETE VENTING SYSTEMS IN ACCORDANCE WITH THE PLUMBING OR BUILDING CODE.
- HEAT TRACE ALL PIPING WITHIN UNHEATED SPACES SUCH AS PARKING LEVELS, SOFFITS AND WITHIN WALLS WHERE FREEZING MAY OCCUR.



KITCHEN EQUIPMENT SCHEDULE									
ITEM NO.	EQUIPMENT CATEGORY	COLD WATER SIZE(MM)	HOT WATER SIZE(M)	FILTERED H2O	DIRECT DRAIN SIZE(M)	INDIRECT DRAIN SIZE(M)	INDIRECT DRAIN ROUGH-IN	GAS SIZE(M)	MBTU/H
73	RESIDENTIAL FRIDGE	6		Yes					
74	RESIDENTIAL DW	12			38				

SAYERS FOOD LIMITED

132 BURLEIGH STREET
 t: 705.656.4531
 e: sayers@apsley.ca



PROJECT TITLE
**NEW SAYERS FOOD STORE
 BURLEIGH STREET, APSLEY**

DRAWING TITLE
**SECOND FLOOR PLAN
 PLUMBING AND DRAINAGE**

SCALE
 1:100

DATE
JUNE 16, 2021

PROJECT NUMBER
21376

DRAWING NUMBER
M302

Contractor must check and verify all dimensions on the job, and report any discrepancies to the Architect before proceeding with the work. Do not scale this drawing.

REVISIONS AND ISSUES

REV	DESCRIPTION	DATE	BY
1	ISSUED FOR TENDER	2021.08.25	
2	ISSUED FOR PERMIT	2021.09.09	
3	RE-ISSUED FOR TENDER AND PERMIT	2022.01.31	
4	ISSUED FOR CONSTRUCTION	2022.07.15	
5			
6			
7			
8			

MJMA
 maclennan jaunkins miller architects
 425 adelade street west level 6
 toronto ontario m5v 3c1
 416 593 6796
 www.mjmaarchitects.com

TRITON ENGINEERING SERVICES LTD
 CIVIL ENGINEERS
 18 ROBB BOULEVARD - UNIT 8
 ORANGEVILLE, ONTARIO
 TEL 519 941 0330 FAX 519 941 1830

BLACKWELL
 STRUCTURAL ENGINEERS
 134 PETER STREET, SUITE 1301
 TORONTO, ONTARIO, M5V 2H2
 TEL 416.593.5300 FAX 416.593.4840

SMITH + ANDERSON
 MECHANICAL AND ELECTRICAL ENGINEERS
 1100 - 100 SHEPPARD AVENUE EAST
 TORONTO, ONTARIO, M2N 6N5
 TEL 416.487.8151



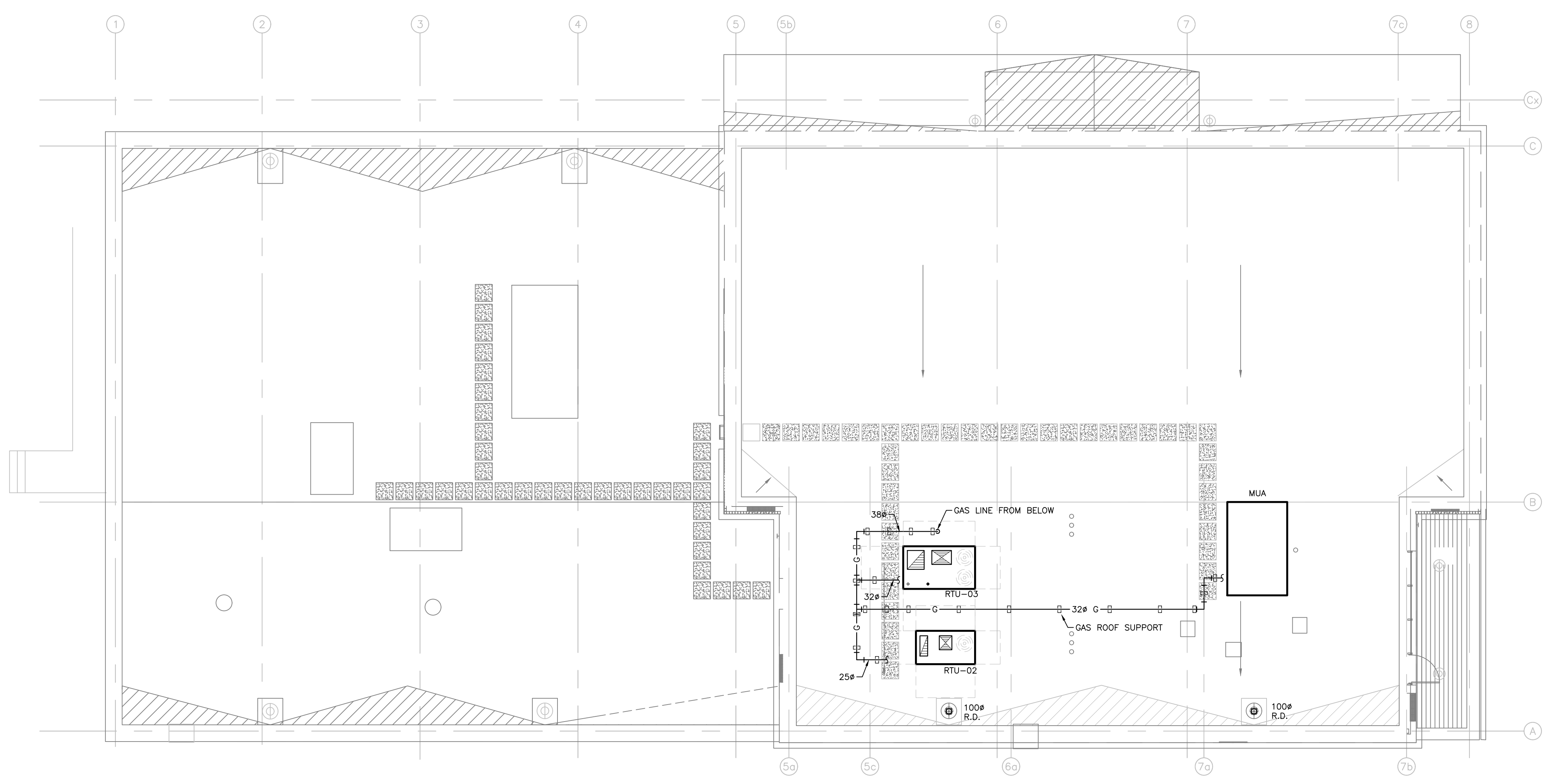
Smith + Anderson
 1100 - 100 Sheppard Ave. East, Toronto On, M2N 6N5
 416 487 8151 f 416 487 8104 smthandanderson.com

GENERAL NOTES:

- DO NOT SCALE DRAWINGS. THE LOCATIONS OF ALL ITEMS SHOWN ON THE DRAWINGS OR SPECIFIED THAT ARE NOT DEFINITELY FIXED BY DIMENSIONS ARE APPROXIMATE. DETERMINE THE EXACT LOCATIONS NECESSARY TO SECURE THE BEST CONDITIONS AND RESULTS BASED ON SITE CONDITIONS. REVIEW ALL REVISIONS WITH THE CONSULTANT.
- READ FLOOR PLANS IN CONJUNCTION WITH SCHEMATICS. ASSUME INFORMATION SHOWN ON FLOOR PLANS TO BE APPLICABLE TO THE RELATED SYSTEM SCHEMATIC AND VICE-VERSA TO PROVIDE A COMPLETE AND OPERATIONAL SYSTEM.
- VERIFY STRUCTURAL INTEGRITY OF ALL TEMPORARY AND PERMANENT OPENINGS. PROVIDE ADDITIONAL FRAMING TO ENSURE STRUCTURAL INTEGRITY AS REQUIRED.
- REFER TO THE STANDARD DETAILS AND DETAIL SHEETS FOR ADDITIONAL INFORMATION.

PLUMBING AND DRAINAGE NOTES:

- PROVIDE MINIMUM 75mm (3 IN.) FOR UNDER GROUND SANITARY DRAINAGE UNLESS INDICATED OTHERWISE.
- PROVIDE APPROVED BACK FLOW PREVENTION FOR ALL TRAP PRIMER SYSTEMS.
- PROVIDE MINIMUM 100mm (4 IN.) FOR UNDER GROUND STORM DRAINAGE UNLESS INDICATED OTHERWISE.
- PROVIDE MINIMUM 19mm (3/4 IN.) DOMESTIC COLD WATER AND DOMESTIC HOT WATER PIPES UNLESS INDICATED OTHERWISE.
- INSTALL ALL PIPING OVERHEAD, TIGHT TO UNDERSIDE OF THE STRUCTURE WITH SUFFICIENT ROOM FOR INSULATION UNLESS INDICATED OTHERWISE. ROUTE PIPING WITHIN STRUCTURAL STEEL STRATA OR THROUGH CONCRETE BEAMS WHERE PRACTICAL.
- HEAT TRACE THE ENTIRE SERVICE TO BE PROTECTED FROM FREEZING IN ALL AREAS INDICATED ON THE DRAWINGS AND NOTED IN THE SPECIFICATIONS. PROVIDE HEAT TRACING TO ACCOMMODATE ALTERATIONS IN THE PIPE LAYOUT DUE TO INTERFERENCES OR OTHER INSTALLATION REQUIREMENTS. CONNECT HEAT TRACING CIRCUIT TO THE ELECTRICAL POWER LOCATIONS INDICATED ON THE DRAWINGS OR THE NEAREST CIRCUIT AVAILABLE. COORDINATE WITH ELECTRICAL DIVISION.
- PROVIDE SHUT-OFF VALVES ON ALL MAIN RISERS AND AT EACH CONNECTION TO EQUIPMENT.
- PROVIDE COMPLETE VENTING SYSTEMS IN ACCORDANCE WITH THE PLUMBING OR BUILDING CODE.
- HEAT TRACE ALL PIPING WITHIN UNHEATED SPACES SUCH AS PARKING LEVELS, SOFFITS AND WITHIN WALLS WHERE FREEZING MAY OCCUR.



SAYERS FOOD LIMITED

132 BURLEIGH STREET
 t: 705.656.4531
 e: sayers@apsley.ca

NORTH ARROW	SEAL
-------------	------

PROJECT TITLE
**NEW SAYERS FOOD STORE
 BURLEIGH STREET, APSLEY**

DRAWING TITLE
**ROOF PLAN PLUMBING AND
 DRAINAGE**

SCALE
 1:100
 DATE
JUNE 16, 2021

PROJECT NUMBER
21376
 DRAWING NUMBER

M303

GENERAL NOTES:

- DO NOT SCALE DRAWINGS. THE LOCATIONS OF ALL ITEMS SHOWN ON THE DRAWINGS OR SPECIFIED THAT ARE NOT DEFINITELY FIXED BY DIMENSIONS ARE APPROXIMATE. DETERMINE THE EXACT LOCATIONS NECESSARY TO SECURE THE BEST CONDITIONS AND RESULTS BASED ON SITE CONDITIONS. REVIEW ALL REVISIONS WITH THE CONSULTANT.
- READ FLOOR PLANS IN CONJUNCTION WITH SCHEMATICS. ASSUME INFORMATION SHOWN ON FLOOR PLANS TO BE APPLICABLE TO THE RELATED SYSTEM SCHEMATIC AND VICE-VERSA TO PROVIDE A COMPLETE AND OPERATIONAL SYSTEM.
- VERIFY STRUCTURAL INTEGRITY OF ALL TEMPORARY AND PERMANENT OPENINGS. PROVIDE ADDITIONAL FRAMING TO ENSURE STRUCTURAL INTEGRITY AS REQUIRED.
- REFER TO THE STANDARD DETAILS AND DETAIL SHEETS FOR ADDITIONAL INFORMATION.

HVAC NOTES:

- REFER TO ARCHITECTURAL REFLECTED CEILING PLANS FOR EXACT LOCATIONS OF GRILLES AND DIFFUSERS. REQUEST CLARIFICATION FOR ANY DIFFUSER OR GRILLE WITH MORE THAN A 600MM (24 IN.) DISCREPANCY IN LOCATION.
- TEMPERATURE SENSORS ARE LOCATED TO AID IN PRICING ONLY AND ALL REQUIRED SENSORS MAY NOT BE SHOWN (REFER TO SPECIFICATIONS). COORDINATE FINAL LOCATION WITH THE ARCHITECT WITHIN 1000MM (40 IN.) OF LOCATION SHOWN. REVIEW ALL RELOCATIONS OUTSIDE OF THIS RANGE WITH THE CONSULTANT.
- INSTALL TEMPERATURE SENSORS AT NOMINALLY 1200MM (48 IN.) ABOVE THE FINISHED FLOOR UNLESS INDICATED OTHERWISE.
- PROVIDE DIFFUSER DUCT RUN-OUTS THE SAME SIZE AS THE DIFFUSER INLETS UNLESS INDICATED OTHERWISE.
- MAINTAIN A MINIMUM OF 2400MM (96 IN.) CLEARANCE TO THE UNDERSIDE OF PIPES, DUCTS, CONDUITS, SUSPENDED EQUIPMENT, ETC. THROUGHOUT ACCESS ROUTES IN MECHANICAL ROOMS.
- INSTALL ALL PIPING OVERHEAD, TIGHT TO UNDERSIDE OF THE STRUCTURE WITH SUFFICIENT ROOM FOR INSULATION UNLESS INDICATED OTHERWISE. ROUTE PIPING WITHIN STRUCTURAL STEEL STRAITS OR THROUGH CONCRETE BEAMS WHERE PRACTICAL.
- VERIFY STRUCTURAL INTEGRITY OF ALL TEMPORARY AND PERMANENT OPENINGS. PROVIDE ADDITIONAL FRAMING TO ENSURE STRUCTURAL INTEGRITY AS REQUIRED.
- PROVIDE ALL OPEN ENDED DUCTWORK COMPLETE WITH WIRE MESH.
- PROVIDE 600X400X1200 (WXHXL) INTERNAL ACOUSTIC INSULATED ELBOW OR STRAIGHT TRANSFER DUCTS UNLESS INDICATED OTHERWISE. TRANSFER AIR DUCTS IN LIEU OF SILENCERS ARE NOT PERMITTED.

Contractor must check and verify all dimensions on the job, and report any discrepancies to the Architect before proceeding with the work. Do not scale this drawing.

REVISIONS AND ISSUES

REV	DESCRIPTION	DATE	BY
1	ISSUED FOR TENDER	2021.08.25	
2	ISSUED FOR PERMIT	2021.09.09	
3	ISSUED FOR ADDENDUM #1	2021.09.15	
4	RE-ISSUED FOR TENDER AND PERMIT	2022.01.31	
5	ISSUED FOR CONSTRUCTION	2022.07.15	
6			
7			
8			

MJMA

maclean jaunkains miller architects
425 adelaide street west level 6
toronto ontario m5v 3c1
416 593 6796
www.mjmaarchitects.com

TRITON ENGINEERING SERVICES LTD
CIVIL ENGINEERS

18 ROBB BOULEVARD - UNIT 8
ORANGVILLE, ONTARIO
TEL 519 941 0330 FAX 519 941 1830

BLACKWELL

STRUCTURAL ENGINEERS
134 PETER STREET, SUITE 1301
TORONTO, ONTARIO, M5V 2H2
TEL 416-593-5300 FAX 416-593-4840

SMITH + ANDERSON

MECHANICAL AND ELECTRICAL ENGINEERS
1100 - 100 SHEPPARD AVENUE EAST
TORONTO, ONTARIO, M2N 6N5
TEL 416-487-8151



Smith + Anderson

1100 - 100 Sheppard Ave. East, Toronto On, M2N 6N5
416 487 8151 f 416 487 8104 smthanderson.com

SAYERS FOOD LIMITED

132 BURLEIGH STREET
t: 705.656.4531
e: sayers@apsley.ca

NORTH ARROW

SEAL

PROJECT TITLE

NEW SAYERS FOOD STORE
BURLEIGH STREET, APSLEY

DRAWING TITLE

GROUND FLOOR PLAN HVAC

SCALE

1:100

DATE

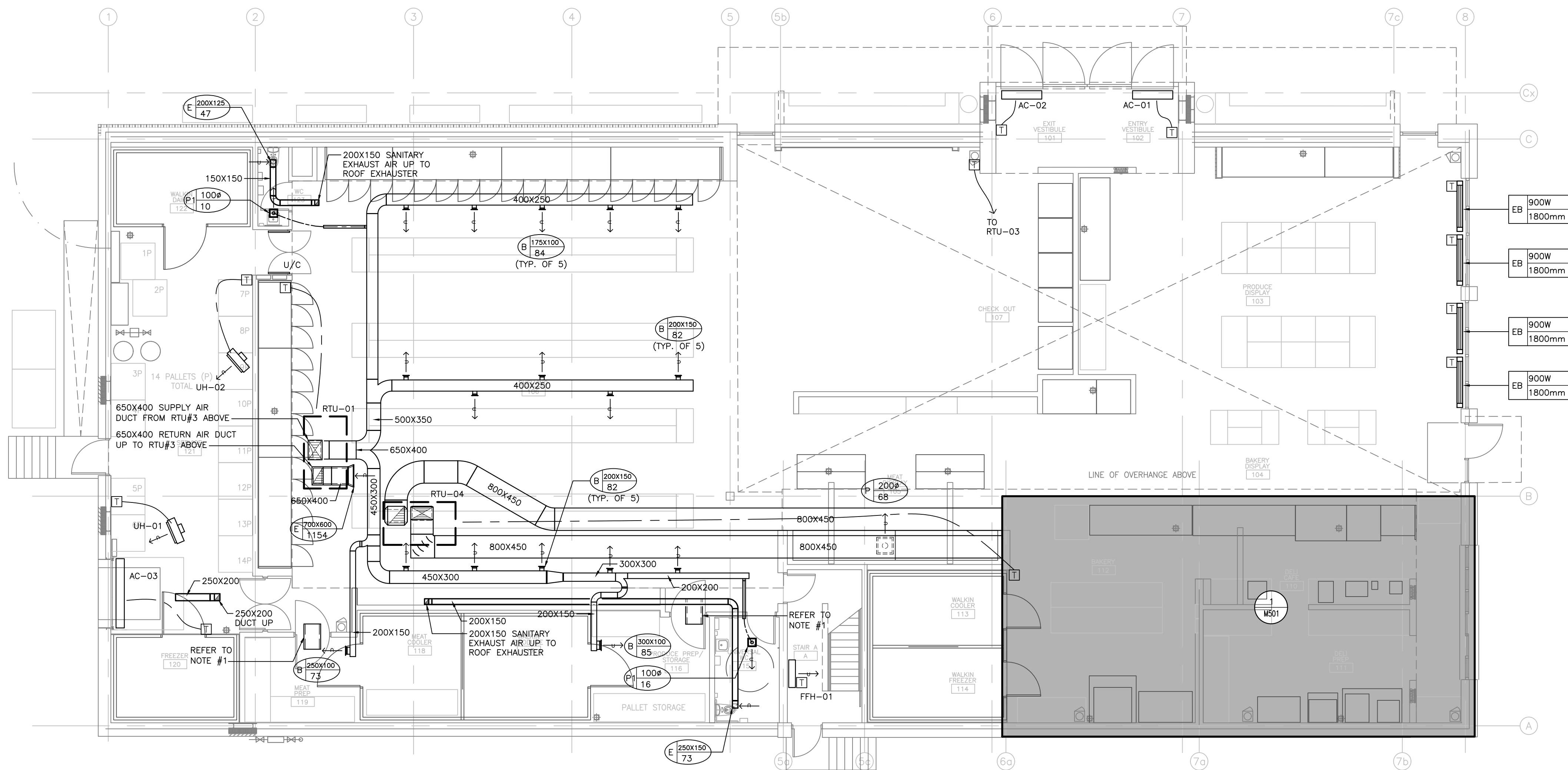
JUNE 16, 2021

PROJECT NUMBER

21376

DRAWING NUMBER

M401



DRAWING NOTE:

- PROVIDE 600X400X1200 (WXHXL) INTERNAL ACOUSTIC INSULATED ELBOW OR STRAIGHT TRANSFER DUCTS UNLESS INDICATED OTHERWISE. TRANSFER AIR DUCTS IN LIEU OF SILENCERS ARE NOT PERMITTED.

GENERAL NOTES:

- DO NOT SCALE DRAWINGS. THE LOCATIONS OF ALL ITEMS SHOWN ON THE DRAWINGS OR SPECIFIED THAT ARE NOT DEFINITELY FIXED BY DIMENSIONS ARE APPROXIMATE. DETERMINE THE EXACT LOCATIONS NECESSARY TO SECURE THE BEST CONDITIONS AND RESULTS BASED ON SITE CONDITIONS. REVIEW ALL REVISIONS WITH THE CONSULTANT.
- READ FLOOR PLANS IN CONJUNCTION WITH SCHEMATICS. ASSUME INFORMATION SHOWN ON FLOOR PLANS TO BE APPLICABLE TO THE RELATED SYSTEM SCHEMATIC AND VICE-VERSA TO PROVIDE A COMPLETE AND OPERATIONAL SYSTEM.
- VERIFY STRUCTURAL INTEGRITY OF ALL TEMPORARY AND PERMANENT OPENINGS. PROVIDE ADDITIONAL FRAMING TO ENSURE STRUCTURAL INTEGRITY AS REQUIRED.
- REFER TO THE STANDARD DETAILS AND DETAIL SHEETS FOR ADDITIONAL INFORMATION.

HVAC NOTES:

- REFER TO ARCHITECTURAL REFLECTED CEILING PLANS FOR EXACT LOCATIONS OF GRILLES AND DIFFUSERS. REQUEST CLARIFICATION FOR ANY DIFFUSER OR GRILLE WITH MORE THAN A 600MM (24 IN.) DISCREPANCY IN LOCATION.
- TEMPERATURE SENSORS ARE LOCATED TO AID IN PRICING ONLY AND ALL REQUIRED SENSORS MAY NOT BE SHOWN (REFER TO SPECIFICATIONS). COORDINATE FINAL LOCATION WITH THE ARCHITECT WITHIN 1000MM (40 IN.) OF LOCATION SHOWN. REVIEW ALL RELOCATIONS OUTSIDE OF THIS RANGE WITH THE CONSULTANT.
- INSTALL TEMPERATURE SENSORS AT NOMINALLY 1200MM (48 IN.) ABOVE THE FINISHED FLOOR UNLESS INDICATED OTHERWISE.
- PROVIDE DIFFUSER DUCT RUN-OUTS THE SAME SIZE AS THE DIFFUSER INLETS UNLESS INDICATED OTHERWISE.
- MAINTAIN A MINIMUM OF 2400MM (96 IN.) CLEARANCE TO THE UNDERSIDE OF PIPES, DUCTS, CONDUITS, SUSPENDED EQUIPMENT, ETC. THROUGHOUT ACCESS ROUTES IN MECHANICAL ROOMS.
- INSTALL ALL PIPING OVERHEAD, TIGHT TO UNDERSIDE OF THE STRUCTURE WITH SUFFICIENT ROOM FOR INSULATION UNLESS INDICATED OTHERWISE. ROUTE PIPING WITHIN STRUCTURAL STEEL STRAITS OR THROUGH CONCRETE BEAMS WHERE PRACTICAL.
- VERIFY STRUCTURAL INTEGRITY OF ALL TEMPORARY AND PERMANENT OPENINGS. PROVIDE ADDITIONAL FRAMING TO ENSURE STRUCTURAL INTEGRITY AS REQUIRED.
- PROVIDE 600X400X1200 (WxHxL) INTERNAL ACOUSTIC INSULATED ELBOW OR STRAIGHT TRANSFER DUCTS UNLESS INDICATED OTHERWISE. TRANSFER AIR DUCTS IN LIEU OF SILENCERS ARE NOT PERMITTED.

Contractor must check and verify all dimensions on the job, and report any discrepancies to the Architect before proceeding with the work. Do not scale this drawing.

REVISIONS AND ISSUES

REV	DESCRIPTION	DATE	BY
1	ISSUED FOR TENDER	2021.08.25	
2	ISSUED FOR PERMIT	2021.09.09	
3	RE-ISSUED FOR TENDER AND PERMIT	2022.01.31	
4	ISSUED FOR CONSTRUCTION	2022.07.15	
5			
6			
7			
8			

MJMA

maclean jaunkains miller architects
425 adelade street west level 6
toronto ontario m5v 3c1
416 593 6796
www.mjmaarchitects.com

TRITON ENGINEERING SERVICES LTD
CIVIL ENGINEERS

18 ROBB BOULEVARD - UNIT 8
ORANGVILLE, ONTARIO
TEL 519 941 0330 FAX 519 941 1830

BLACKWELL

STRUCTURAL ENGINEERS
134 PETER STREET, SUITE 1301
TORONTO, ONTARIO, M5V 2H2
TEL 416-593-5300 FAX 416-593-4840

SMITH + ANDERSON
MECHANICAL AND ELECTRICAL ENGINEERS

1100 - 100 SHEPPARD AVENUE EAST
TORONTO, ONTARIO, M2N 6N5
TEL 416-487-8151



Smith + Anderson

1100 - 100 Sheppard Ave. East, Toronto On, M2N 6N5
416 487 8151 f 416 487 8104 smithanderson.com

SAYERS FOOD LIMITED

132 BURLEIGH STREET
t: 705.656.4531
e: sayers@apsley.ca

NORTH ARROW SEAL

PROJECT TITLE

NEW SAYERS FOOD STORE
BURLEIGH STREET, APSLEY

DRAWING TITLE

ROOF PLAN HVAC

SCALE

1:100

DATE

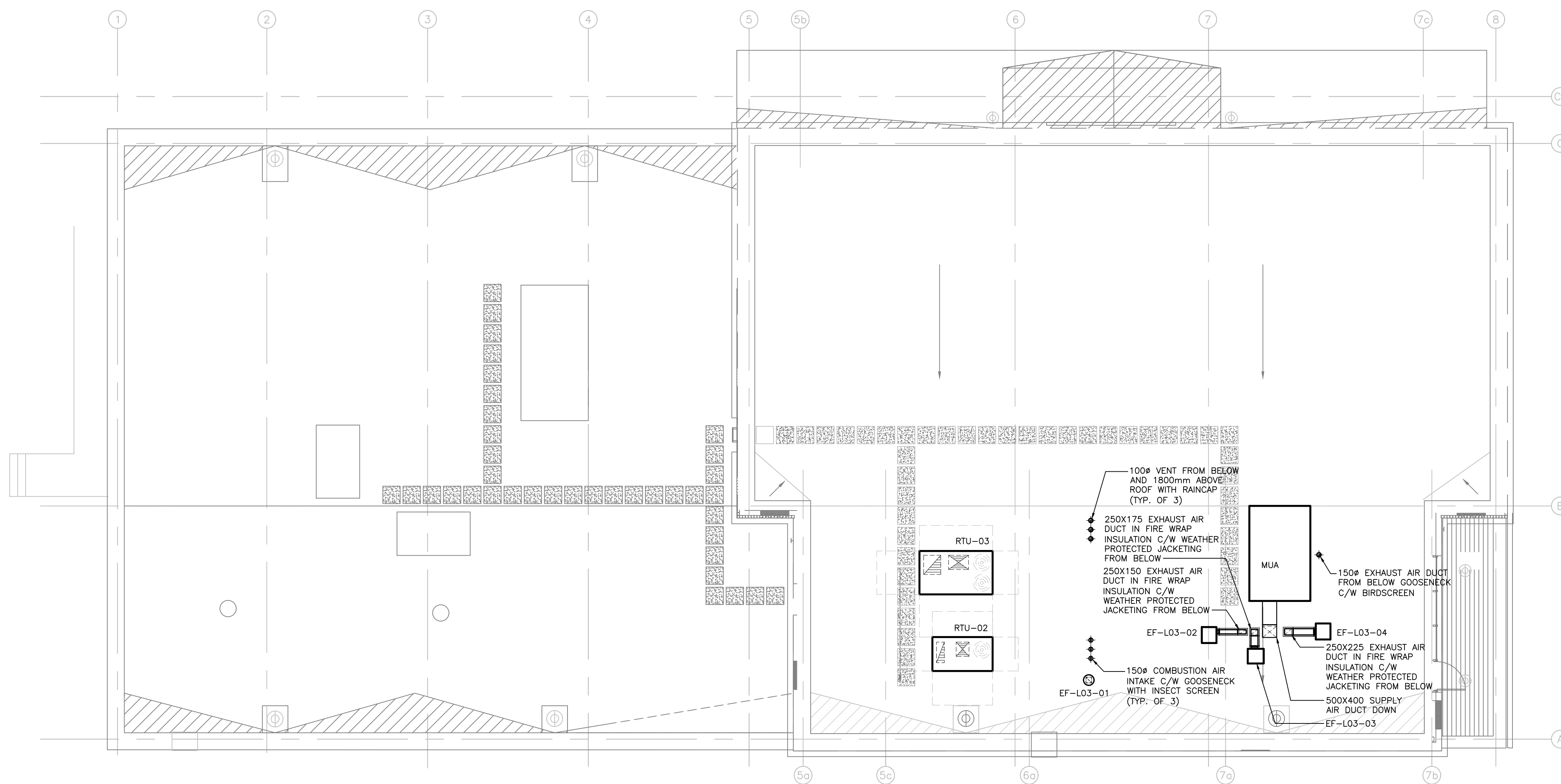
JUNE 16, 2021

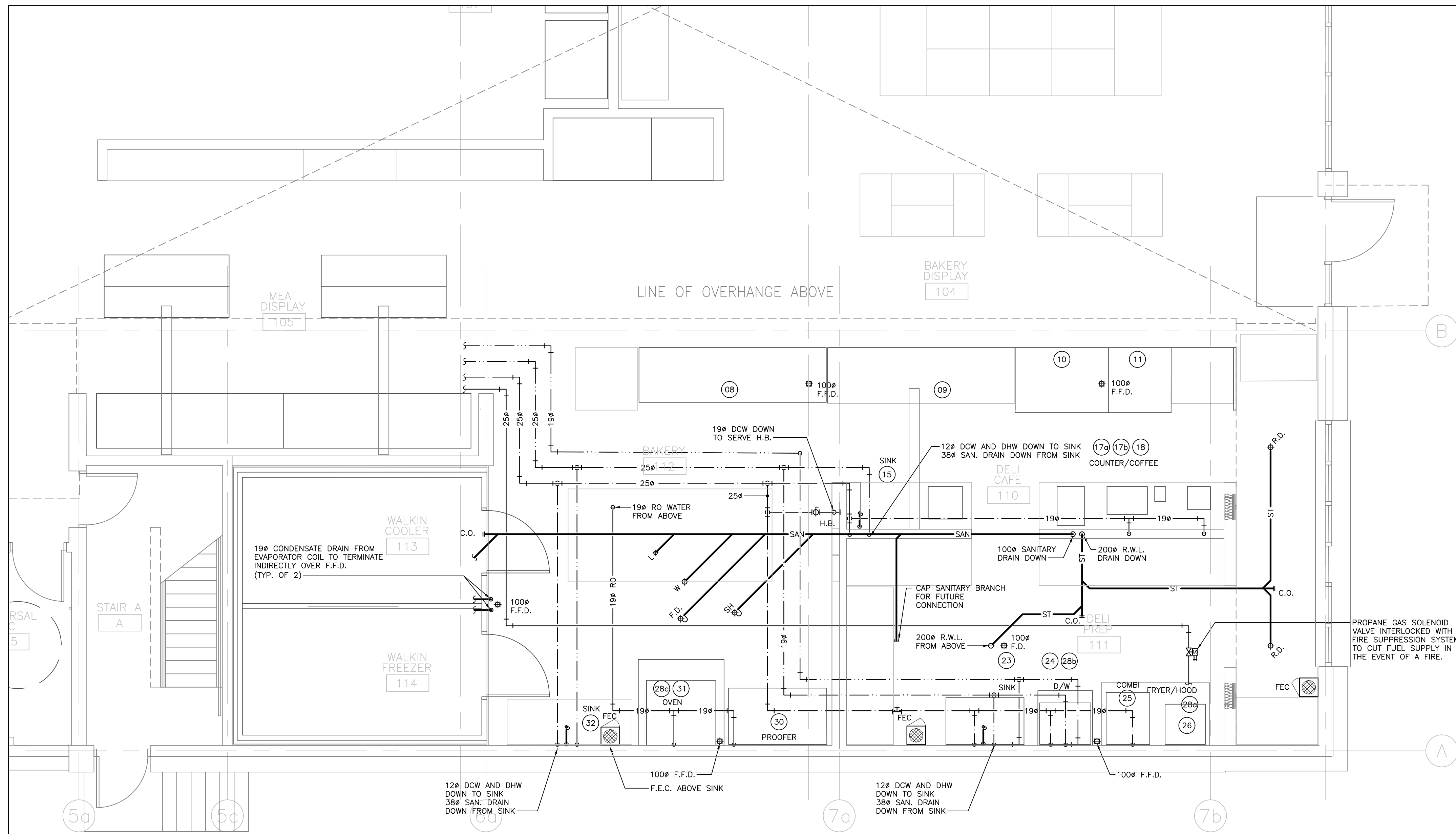
PROJECT NUMBER

21376

DRAWING NUMBER

M403





KITCHEN EQUIPMENT SCHEDULE

ITEM NO.	EQUIPMENT CATEGORY	COLD WATER SIZE(MM)	HOT WATER SIZE(M M)	FILTERED H2O	DIRECT DRAIN SIZE(M M)	INDIR DRAIN SIZE(M M)	INDIRECT DRAIN ROUGH-IN	GAS SIZE(M M)	MBTU/ H
8	12' DELI SELF SERVE					38	FFD		
9	MEAT & CHEESE					38	FFD		
10	SUB SERV					38(x2)	FFD		
11	HOT SRVC					38(x2)	FFD		
15	MEAT SLICER COUNTER/SINK	12	12		38				
17a	ESPRESSO MACHINE	12			25				
18	COFFEE MAKER	6							
23	SINK	12	12		38				
24	DISHWASHER	19	19	19	16				
25	COMBI	19				50	FD	19	
26	FRYER							32	700
30	PROOFER	12				19	FD		
31	OVEN	6 NPT		YES					
32	COUNTER/SINK	12	12		38				
33	COOLER					38	FD		
34	FREEZER					38	FD		

GENERAL NOTES:

- DO NOT SCALE DRAWINGS. THE LOCATIONS OF ALL ITEMS SHOWN ON THE DRAWINGS OR SPECIFIED THAT ARE NOT DEFINITELY FIXED BY DIMENSIONS ARE APPROXIMATE. DETERMINE THE EXACT LOCATIONS NECESSARY TO SECURE THE BEST CONDITIONS AND RESULTS BASED ON SITE CONDITIONS. REVIEW ALL REVISIONS WITH THE CONSULTANT.
- READ FLOOR PLANS IN CONJUNCTION WITH SCHEMATICS. ASSUME INFORMATION SHOWN ON FLOOR PLANS TO BE APPLICABLE TO THE RELATED SYSTEM SCHEMATIC AND VICE-VERSA TO PROVIDE A COMPLETE AND OPERATIONAL SYSTEM.
- VERIFY STRUCTURAL INTEGRITY OF ALL TEMPORARY AND PERMANENT OPENINGS. PROVIDE ADDITIONAL FRAMING TO ENSURE STRUCTURAL INTEGRITY AS REQUIRED.
- REFER TO THE STANDARD DETAILS AND DETAIL SHEETS FOR ADDITIONAL INFORMATION.

PLUMBING AND DRAINAGE NOTES:

- PROVIDE MINIMUM 75mm (3 IN.) FOR UNDER GROUND SANITARY DRAINAGE UNLESS INDICATED OTHERWISE.
- PROVIDE APPROVED BACK FLOW PREVENTION FOR ALL TRAP PRIMER SYSTEMS.
- PROVIDE MINIMUM 100mm (4 IN.) FOR UNDER GROUND STORM DRAINAGE UNLESS INDICATED OTHERWISE.
- PROVIDE MINIMUM 19mm (3/4 IN.) DOMESTIC COLD WATER AND DOMESTIC HOT WATER PIPES UNLESS INDICATED OTHERWISE.
- INSTALL ALL PIPING OVERHEAD, TIGHT TO UNDERSIDE OF THE STRUCTURE WITH SUFFICIENT ROOM FOR INSULATION UNLESS INDICATED OTHERWISE. ROUTE PIPING WITHIN STRUCTURAL STEEL STRATA OR THROUGH CONCRETE BEAMS WHERE PRACTICAL.
- PROVIDE ADDITIONAL P.R.V.'S AS REQUIRED

Contractor must check and verify all dimensions on the job, and report any discrepancies to the Architect before proceeding with the work. Do not scale this drawing.

REVISIONS AND ISSUES

REV	DESCRIPTION	DATE	BY
1	ISSUED FOR TENDER	2021.08.25	
2	ISSUED FOR PERMIT	2021.09.09	
3	ISSUED FOR ADDENDUM #1	2021.09.15	
4	ISSUED FOR ADDENDUM #2	2021.09.27	
5	RE-ISSUED FOR TENDER AND PERMIT	2022.01.31	
6	RE-ISSUED FOR PERMIT	2022.03.18	
7	ISSUED FOR CONSTRUCTION	2022.07.15	
8			

MJMA

maclennan jaunkains miller architects
 425 adelaide street west level 6
 toronto ontario m5v 3c1
 416 593 6796
 www.mjmaarchitects.com

TRITON ENGINEERING SERVICES LTD

CIVIL ENGINEERS
 18 ROBB BOULEVARD - UNIT 8
 ORANGEVILLE, ONTARIO
 TEL 519 941 0330 FAX 519 941 1830

BLACKWELL

STRUCTURAL ENGINEERS
 134 PETER STREET, SUITE 1301
 TORONTO, ONTARIO, M5V 2H2
 TEL 416.593.5300 FAX 416.593.4840

SMITH + ANDERSON

MECHANICAL AND ELECTRICAL ENGINEERS
 1100 - 100 SHEPPARD AVENUE EAST
 TORONTO, ONTARIO, M2N 6N5
 TEL 416.487.8151



Smith + Anderson

1100 - 100 Sheppard Ave. East, Toronto On, M2N 6N5
 416 487 8151 f 416 487 8104 smthandanderson.com

SAYERS FOOD LIMITED

132 BURLINGHAM STREET
 t: 705.656.4531
 e: sayers@apsley.ca

NORTH ARROW SEAL

PROJECT TITLE

NEW SAYERS FOOD STORE
 BURLINGHAM STREET, APSLEY

DRAWING TITLE

GROUND FLOOR PLAN
 KITCHEN PLUMBING AND
 DRAINAGE

SCALE

1:50

DATE

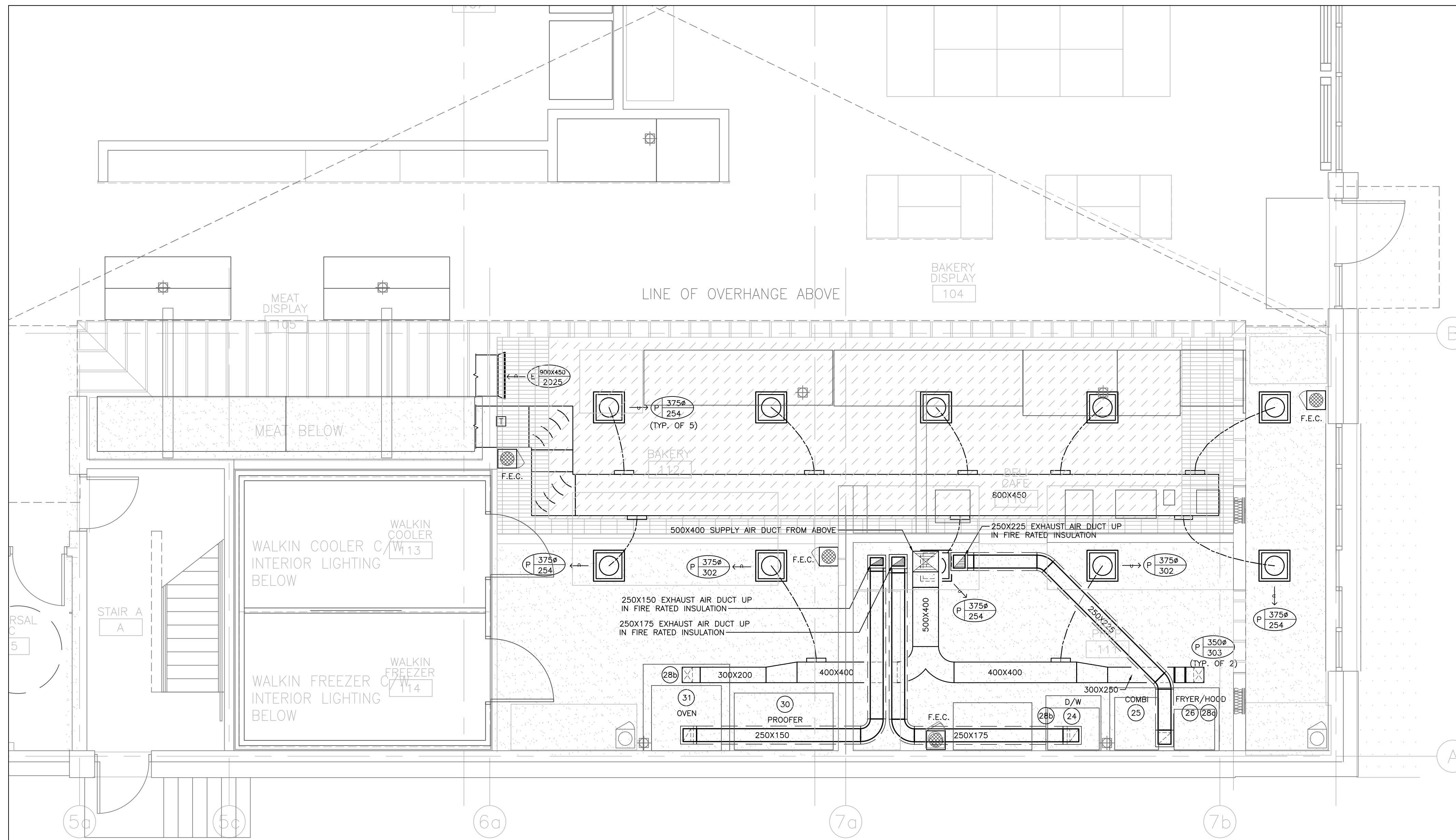
JUNE 16, 2021

PROJECT NUMBER

21376

DRAWING NUMBER

M501



KITCHEN EQUIPMENT SCHEDULE					
ITEM NO.	EQUIPMENT CATEGORY	DUCT CONNECTION SIZE(MM)	EXHAUST FLOW (CFM)	PRESSURE DROP	REMARK
28a	EXHAUST HOOD (Supply)	203x279	504	0.11	SERVING 25, 26
28a	EXHAUST HOOD (Return)	254x229	840	0.38	SERVING 25, 26
28b	EXHAUST HOOD	254X178	700	0.25	SERVING 24
28c	EXHAUST HOOD (Supply)	254X152	363	0.37	SERVING 31
28c	EXHAUST HOOD (Return)	254X152	605	0.11	SERVING 31

GENERAL NOTES:

- DO NOT SCALE DRAWINGS. THE LOCATIONS OF ALL ITEMS SHOWN ON THE DRAWINGS OR SPECIFIED THAT ARE NOT DEFINITELY FIXED BY DIMENSIONS ARE APPROXIMATE. DETERMINE THE EXACT LOCATIONS NECESSARY TO SECURE THE BEST CONDITIONS AND RESULTS BASED ON SITE CONDITIONS. REVIEW ALL REVISIONS WITH THE CONSULTANT.
- READ FLOOR PLANS IN CONJUNCTION WITH SCHEMATICS. ASSUME INFORMATION SHOWN ON FLOOR PLANS TO BE APPLICABLE TO THE RELATED SYSTEM SCHEMATIC AND VICE-VERSA TO PROVIDE A COMPLETE AND OPERATIONAL SYSTEM.
- VERIFY STRUCTURAL INTEGRITY OF ALL TEMPORARY AND PERMANENT OPENINGS. PROVIDE ADDITIONAL FRAMING TO ENSURE STRUCTURAL INTEGRITY AS REQUIRED.
- REFER TO THE STANDARD DETAILS AND DETAIL SHEETS FOR ADDITIONAL INFORMATION.

HVAC NOTES:

- REFER TO ARCHITECTURAL REFLECTED CEILING PLANS FOR EXACT LOCATIONS OF GRILLES AND DIFFUSERS. REQUEST CLARIFICATION FOR ANY DIFFUSER OR GRILLE WITH MORE THAN A 600MM (24 IN.) DISCREPANCY IN LOCATION.
- TEMPERATURE SENSORS ARE LOCATED TO AID IN PRICING ONLY AND ALL REQUIRED SENSORS MAY NOT BE SHOWN (REFER TO SPECIFICATIONS). COORDINATE FINAL LOCATION WITH THE ARCHITECT WITHIN 100MM (40 IN.) OF LOCATION SHOWN. REVIEW ALL RELOCATIONS OUTSIDE OF THIS RANGE WITH THE CONSULTANT.
- INSTALL TEMPERATURE SENSORS AT NOMINALLY 1200MM (48 IN.) ABOVE THE FINISHED FLOOR UNLESS INDICATED OTHERWISE.
- PROVIDE DIFFUSER DUCT RUN-OUTS THE SAME SIZE AS THE DIFFUSER INLETS UNLESS INDICATED OTHERWISE.
- MAINTAIN A MINIMUM OF 2400MM (96 IN.) CLEARANCE TO THE UNDERSIDE OF PIPES, DUCTS, CONDUITS, SUSPENDED EQUIPMENT, ETC. THROUGHOUT ACCESS ROUTES IN MECHANICAL ROOMS.
- INSTALL ALL PIPING OVERHEAD, TIGHT TO UNDERSIDE OF THE STRUCTURE WITH SUFFICIENT ROOM FOR INSULATION UNLESS INDICATED OTHERWISE. ROUTE PIPING WITHIN STRUCTURAL STEEL STRATA OR THROUGH CONCRETE BEAMS WHERE PRACTICAL.
- VERIFY STRUCTURAL INTEGRITY OF ALL TEMPORARY AND PERMANENT OPENINGS. PROVIDE ADDITIONAL FRAMING TO ENSURE STRUCTURAL INTEGRITY AS REQUIRED.
- PROVIDE ALL OPEN ENDED DUCTWORK COMPLETE WITH WIRE MESH.
- PROVIDE 600X400X1200 (WXXHXXL) INTERNAL ACOUSTIC INSULATED ELBOW OR STRAIGHT TRANSFER DUCTS UNLESS INDICATED OTHERWISE. TRANSFER AIR DUCTS IN LIEU OF SILENCERS ARE NOT PERMITTED.

Contractor must check and verify all dimensions on the job, and report any discrepancies to the Architect before proceeding with the work. Do not scale this drawing.

REVISIONS AND ISSUES

REV	DESCRIPTION	DATE	BY
1	ISSUED FOR TENDER	2021.08.25	
2	ISSUED FOR PERMIT	2021.09.09	
3	RE-ISSUED FOR TENDER AND PERMIT	2022.01.31	
4	ISSUED FOR CONSTRUCTION	2022.07.15	
5			
6			
7			
8			

MJMA

maclean jaunkains miller architects

425 adelaide street west level 6
toronto ontario m5v 3c1
416 593 6796
www.mjmaarchitects.com

TRITON ENGINEERING SERVICES LTD

CIVIL ENGINEERS

18 ROBB BOULEVARD - UNIT 8
ORANGEVILLE, ONTARIO
TEL 519 941 0330 FAX 519 941 1830

BLACKWELL

STRUCTURAL ENGINEERS

134 PETER STREET, SUITE 1301
TORONTO, ONTARIO, M5V 2H2
TEL 416.593.5300 FAX 416.593.4840

SMITH + ANDERSON

MECHANICAL AND ELECTRICAL ENGINEERS

1100 - 100 SHEPPARD AVENUE EAST
TORONTO, ONTARIO, M2N 6N5
TEL 416.487.8151



Smith + Andersen

1100 - 100 Sheppard Ave. East, Toronto On, M2N 6N5
416 487 8151 f 416 487 8104 smthanderson.com

SAYERS FOOD LIMITED

132 BURLIEGH STREET
t: 705.656.4531
e: sayers@apspley.ca

NORTH ARROW

SEAL

PROJECT TITLE

NEW SAYERS FOOD STORE
BURLIEGH STREET, APSLEY

DRAWING TITLE

GROUND FLOOR PLAN
KITCHEN HVAC

SCALE

1:50

DATE

JUNE 16, 2021

PROJECT NUMBER

21376

DRAWING NUMBER

M502