

# TOWER STEEL BUILDINGS

## LP BUILDING – PORT PERRY

**FO# 26320**

**Building 1 of 2**



08/31/2022

T&Z Consulting Services, LLC  
Ontario CofA No. 100521725



8 Easy Street  
Port Perry, ON L9L 1B2

### INDEX OF DRAWINGS

Page	Drawing Title	REV NO.
	Cover Page	0
1	Specifications	0
2	Anchor Bolt Plan	0
3	Rigid Frame Reactions	0
4	EndWall Reactions, Design Criteria	0
5	Anchor Bolt Details	0
6	Roof Framing	0
7	Roof Panel Layout	0
8	Rigid Frame #1	0
9	Rigid Frame #2	0
10	Rigid Frame #3	0

Page	Drawing Title	REV NO.
11	Front Sidewall Framing	0
12	Back Sidewall Framing	0
13	Left Endwall Framing	0
14	Right Endwall Framing	0
15	Detail Page #1	0
16	Detail Page #2	0
17		0
18		0
19		0
20		0
21		0

Page	Drawing Title	REV NO.
22		0
23		0
24		0
25		0
26		0
27		0
28		0
29		0
30		0
31		0
32		0

GENERAL

All materials included in the Metal Building System are in accordance with the manufacturer's standard materials and details unless otherwise specified on the order documents. (MBMA 2018 Metal Building Systems Manual, Part IV, Section 2.1)

DESIGN RESPONSIBILITY

The manufacturer is responsible only for the structural design of the Metal Building System it sells to the purchaser / customer. Neither the manufacturer nor the manufacturer's engineer is the design professional or engineer of record for the construction project. The manufacturer is not responsible for the design of any component or materials not sold by it, or their interface and connection with Metal Building System unless such design responsibility is specifically required by the order documents. (MBMA 2018 Metal Building Systems Manual, Part IV, Section 3.1)

FOUNDATION DESIGN AND ANCHOR BOLTS

The manufacturer is not responsible for the design, materials, and workmanship of the foundation. The anchor bolt plans prepared by the manufacturer are intended to show only the anchor bolt location, diameter (based on ASTM A36 bolts), and quantity required to connect the Metal Building System to the foundation. (MBMA 2018 Metal Building Systems Manual, Part IV, Section 3.2.2). It is the responsibility of the end customer to ensure that adequate provisions are made for specifying bolt embedment, bearing angles, tie rods, and / or associated items embedded in the concrete foundation, as well as foundation design based on the loads imposed by the Metal Building System, or other imposed loads, and the bearing capacity of the soil and other conditions of the building site. (MBMA 2018 Metal Building Systems Manual, Part IV, Section 3.2.2) U.S.-Anchor bolts shall be accurately set to a tolerance of +/- 1/8 in both elevation and location (AISC Code of Standard Practice for Steel Buildings and Bridges). Canada -Anchor bolts shall be accurately set in accordance with CISC Code of Standard Practice, June 2008, Clause 7.7.1

ADJACENT EXISTING BUILDINGS

The manufacturer does not investigate the influence of the Metal Building System on adjacent existing buildings or structures. The end customer assures that such buildings and structures are adequate to resist snow loads or other conditions as a result of the presence of the Metal Building System. (MBMA 2018 Metal Building Systems Manual, Part IV, Section 3.2.5)

SHOP-PRIMED STEEL

All structural members of the Metal Building System not fabricated of corrosion resistant material or protected by corrosion resistant coating are painted with one coat of shop primer. All surfaces to receive shop primer are cleaned of loose rust, loose mill scale and other foreign matter by using, as a minimum the hand tool cleaning method SSPC-SP2 (Steel Manual, Structures Painting Council) prior to painting. The coat of shop primer is intended to protect the steel framing for only a short period of exposure to ordinary atmospheric conditions. Shop-primed steel should be placed on blocking to prevent contact with the ground, and so positioned as to minimize water holding pockets, dust, mud and other contamination of the primer film. Repairs of damage to primed surfaces and or removal of foreign material due to improper field storage or site conditions are not the responsibility of the manufacturer. (CISC Code of Standard Practice, June 2008, Clause 6.8; (MBMA 2018 Metal Building Systems Manual, Part IV, Section 4.2.4).

ERECTION-GENERAL

The erector, by entering into contract to erect the building, holds itself out as skilled in the erection of Metal Building Systems and is responsible for complying with all applicable local, federal, and state construction and safety regulations including OSHA regulations as well as any applicable requirements of local, national, or international union rules or practices. (CISC Code of Standard Practice, June 2008, Clause 7.2; (MBMA 2018 Metal Building System Manual, Part IV, Section 6.9).

The erector shall erect the Metal Building System in accordance with the erection drawings, the Erection and Detail Manual (February 2012), and / or the Seam-Lok Technical - Erection manual (May 2012) as furnished by the manufacturer. The aforementioned erection information is intended to illustrate the layout of the framing members, provide the associated connection details, and suggests sequence of erection. It is not intended to specify any particular method of erection to be followed by the erector. The erector remains solely responsible for the safety and appropriateness of all techniques and methods utilized by its crews in the erection of the Metal Building System. The erector is responsible for supplying any safety devices such as scaffolds, runways, nets, et, which may be required to safely erect the Metal Building System. (MBMA 2018 Metal Building Systems Manual, Part IV, Section 6.9) The manufacturer expressly disclaims any responsibility for injury to persons in the course of erection or for damages to the product itself. Field erection of a Pre-Engineered Metal Building, as in all construction projects, involves hazards to persons within the area of the construction and risk of damage to the property itself. Only experienced persons who are skilled and qualified in the erection of Metal Building Systems should be permitted to field-erect a building due to the hazards of this construction activity. The manufacturer is not responsible for the erection of the Metal Building System, the supply of any tools or equipment, or any other field work. The manufacturer provides no field supervision for the erection of the structure nor does the manufacturer perform any intermediate or final inspections of the Metal Building System during or after erection.

The erector shall furnish temporary guys and bracing where needed for squaring, plumbing, and securing the structural framing against loads, such as wind loads acting on the exposed framing as well as loads due to erection equipment and erection operation, but not including loads resulting from the performance of work by others. Bracing furnished by the manufacturer for the Metal Building System cannot be assumed to be adequate during erection. Temporary supports such as temporary guys, braces, false work, cribbing, or other elements required for the erection operation will be determined, erected, and installed by the erector. (AISC Code of Standard Practice for Steel Buildings and Bridges, April 14, 2010, Section 7.10.3; CISC Code of Standard Practices, June, 2008, Clause 1.5; MBMA 2018 Metal Buildings System Manual, Part IV, Section 6.2.1.5).

ERECTION TOLERANCES

U.S. ; Erection tolerances are those set forth in AISC code of standard practice except individual members are considered, plumb, level and aligned if the deviation does not exceed 1:500. (AISC Code of Standard Practice for Steel Buildings and Bridges April 14, 2010 Section 7.13.1; MBMA 2018 Metal Building Systems Manual, Part IV, Section 6.8) Canada; Erection tolerances are those set forth in CISC Code of Standard Practice except individual members are considered plumb, level and aligned if the deviation does not exceed 1:500. (CISC Handbook of Steel Construction, Tenth Edition, Second Revised Printing, Part 1, Clause 29.3; MBMA 2018 Metal Building Systems Manual, Part IV, Section 6.8)

BOLT TIGHTENING

The proper tightening and inspection of all fasteners is the responsibility of the erector (Reference RCSC for structural joints using high strength bolts; August 1, 2014). All high strength (ASTM F3125, A325, A490) bolts and nuts must be tightened by the "turn-of-the-nut" method unless otherwise specified by the end customer in the contract documents. Inspection of high strength bolt and nut installation by other than the erector must also be specified in the contract documents and the erector is responsible for ensuring that the installation procedures are compatible prior to the start of erection (CISC Handbook of Steel Construction, Tenth Edition, Second Revised Printing, Part 1, Clause 23.8.2), (MBMA 2018 Metal Building Systems Manual, Part IV, Section 6.9).

MATERIALS	ASTM DESIGNATION	MINIMUM YIELD	MATERIALS	ASTM DESIGNATION	MINIMUM YIELD
Hot-Rolled Mill Sections	A 36, A 572, A 992	Fy = 36 ksi and/or 50 ksi	Roof and Wall Sheeting	A 792, Gr. 50 Class 1 A 792, Gr. 80	Fy = 50 ksi Fy = 80 ksi
Structural Steel Plates	A 572, A 1011	Fy = 55 ksi	Mild Steel Bolts	A 307	Fy = 36 ksi
Structural Steel Bars	A 572 or A 529	Fy = 55 ksi	High Strength Bolts	F3125: A 325-N A 490-N	Fy = 92 or 81 ksi N/A
Cold Formed Light Gauge Shapes	A 653 Gr. 55	Fy = 55 ksi	Anchor Rods (If supplied)	A 36	Fy = 36 ksi
Cable Bracing	A 475, EHS	N/A	Pipe and Hollow Structural Sections	A 500 Gr. B	Fy = 42 ksi, 46 ksi
Rod Bracing	A 36	Fy = 36 ksi			

CORRECTION OF ERRORS AND REPAIRS

The correction of minor misfits by the use of drift pins to draw the components into line, shimming, moderate amounts of reaming, chipping, and cutting, and the replacement of minor shortages of material are a normal part of erection and are not subject to claim. (AISC Code of Standard Practice for Steel Buildings and Bridges, April 14, 2010, Section 7.14; CISC Code of Standard Practice, June 2008, Clause 7.15; MBMA 2018 Metal Building Systems Manual, Part IV, Section 6.10).

DRAWING DISCREPANCIES

In case of discrepancies between the manufacturers steel plans and plans for other trades, the manufacturers steel plans govern. (AISC Code of Standard Practice for Steel Buildings and Bridges, April 14, 2010, Section 3.3; CISC Code of Standard Practice, June 2008, Clause 3.4; MBMA 2018 Metal Building Systems Manual, Part IV, Section 3.1).

DELIVERIES

Delivery of any material by the manufacturers carrier, a common carrier, or to purchasers/ customers own leased, chartered, or authorized conveyance shall constitute delivery to builder, and thereafter, such material shall be at builders risk. If builder chooses to use its own, or private carrier, it shall be solely responsible for compliance with all applicable government regulations. All charges shall be borne by the builder. The manufacturers responsibility for damage or loss ceases upon delivery of shipment to carrier. The manufacturer will endeavor to deliver on the required date. The manufacturers truck is not considered as being late if deliveries are between 8am - 12pm (morning) and 12pm - 5pm (afternoon). However, the manufacturer cannot be held responsible for circumstances beyond our control. For deliveries via the manufacturers truck, the manufacturer will only honor claims that were approved by the customer service department at the time of delivery. For deliveries via contract carriers, it is the responsibility of the customer to file claims with the carrier. The manufacturer cannot assume any liability for the claim.

SHORTAGES

The purchaser /customer should make an inspection upon arrival of all building components. The purchaser/customer must note on the freight bill any missing item(s) and notify the manufacturers customer service department immediately; otherwise, the manufacturer cannot be held responsible for any shortages. If any item is damaged, note on the bill of lading and file a claim with the freight agent. Concealed shortages must be reported to the manufacturers customer service department within the following time frames (date from receipt of first delivery), based on the project shipment size, i.e., number of truck loads used in delivery.  
**1 to 3 loads...2 weeks 4 loads and over...3 weeks The manufacturers responsibility for shortages expires at the end of these time periods.**

FABRICATION ERRORS

The purchaser/customer is responsible for contacting the customer service department to advise the manufacturer of fabrication problems and corresponding cost estimates. The manufacturer will be responsible for providing the builder with verbal approval to proceed with appropriate field corrections. This will be done in a timely manner. IF THE BUILDER PROCEEDS WITH CORRECTIVE WORK WITHOUT THE MANUFACTURERS APPROVAL, HE DOES SO AT HIS OWN RISK. The manufacturer shall not be responsible for any claims where the purchaser/customer has not documented the problem, its correction, and reasonable costs for repair, and submitted this documentation for payment within 30 days of the occurrence.

INVOICE PAYMENT

By acceptance of the materials of services set forth in the invoice, the purchaser/customer agrees to pay the invoice amount within the time period specified on the invoice. AT NO TIME IS IT ACCEPTABLE TO DEDUCT A BACK CHARGE OR SHORTAGE FROM AN INVOICE.

SAFETY PROCEDURES

The manufacturer is committed to manufacturing a quality product that can be erected safely. Although good job site practices and a commitment to safety by the erector are beyond the control of the manufacturer, the manufacturer highly recommends the erector provide good, safe working conditions on the job site. The erector should follow all local, state, and federal health and safety regulations at all times. Accident prevention practices should be implemented and each employee should know emergency procedures. The manufacturer also recommends daily meetings to discuss erection safety procedures. For additional information concerning federal health and safety regulations, contact the occupational safety and health administration (osha).

U.S. Department of Labor  
Occupational Safety and Health Administration  
200 Constitution Avenue, N.W.  
Washington, DC 20210  
www.osha.gov

The manufacturer shall not be responsible for personal injury or property damage as a result of failure to follow all applicable safety regulations and material handling and installation recommendations.



LP BUILDING - PORT PERRY

60'-6" x 42'-3" x 25'-6"

DATE: 8/17/22 REVISION: 0

ENG: MQZ DWN: BJC APPD: AJR

F.O.26320

REVISION HISTORY		DRAWING STATUS
DATE	DESCRIPTION	REV.

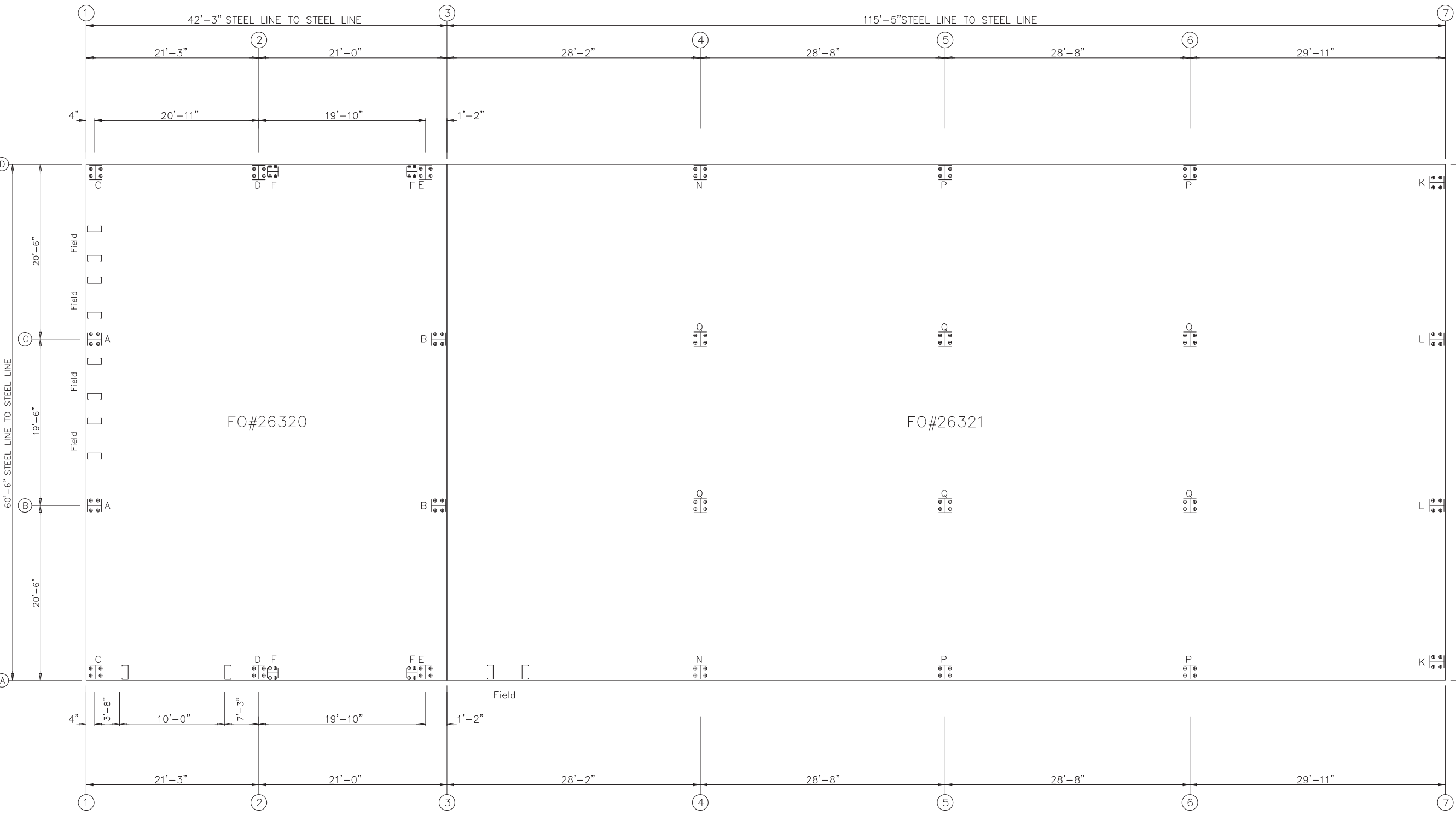
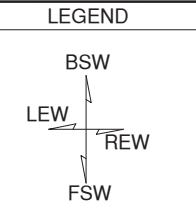
FOR APPROVAL: THESE DRAWINGS, BEING FOR APPROVAL, ARE BY DEFINITION NOT FINAL, AND ARE FOR CONCEPTUAL REPRESENTATION ONLY. THEIR PURPOSE IS TO CONFIRM PROPER INTERPRETATION OF THE PROJECT DOCUMENTS. ONLY DRAWINGS ISSUED "FOR CONSTRUCTION" CAN BE CONSIDERED AS COMPLETE.

FOR PERMIT: THESE DRAWINGS, BEING FOR PERMIT, ARE BY DEFINITION NOT FINAL. ONLY DRAWINGS ISSUED "FOR CONSTRUCTION" CAN BE CONSIDERED AS COMPLETE.

FOR CONSTRUCTION: FINAL DRAWINGS.



08/31/2022



ANCHOR BOLT PLAN  
 NOTE: All Base Plates @ 100'-0" (U.N.)  
 Finished Floor @ 100'-0"



LP BUILDING - PORT PERRY  
 60'-6" x 116'-11" x 14'-0"  
 DATE: 8/3/22 REVISION: 0  
 ENG: MQZ DWN: BJC APPD: AJR

F.O. 26320

LP BUILDING - PORT PERRY

DRAWING STATUS	
REV.	DESCRIPTION

DATE	DESCRIPTION

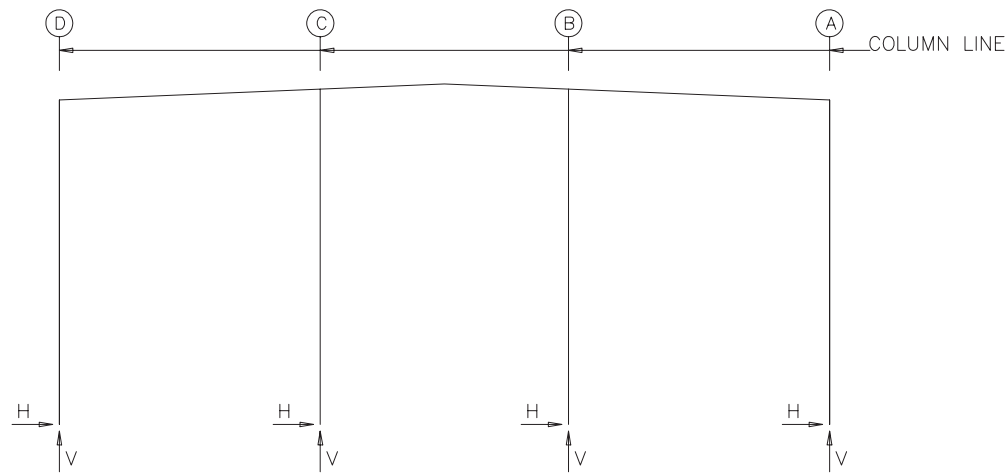
<input type="checkbox"/> FOR APPROVAL: THESE DRAWINGS, BEING FOR APPROVAL, ARE BY DEFINITION NOT FINAL, AND ARE FOR CONCEPTUAL REPRESENTATION ONLY. THEIR PURPOSE IS TO CONFIRM PROPER INTERPRETATION OF THE PROJECT DOCUMENTS. ONLY DRAWINGS ISSUED "FOR CONSTRUCTION" CAN BE CONSIDERED AS COMPLETE.	<input type="checkbox"/> FOR PERMIT: THESE DRAWINGS, BEING FOR PERMIT, ARE BY DEFINITION NOT FINAL. ONLY DRAWINGS ISSUED "FOR CONSTRUCTION" CAN BE CONSIDERED AS COMPLETE.	<input type="checkbox"/> FOR CONSTRUCTION: FINAL DRAWINGS.
--	--	--



08/31/2022

DRAWING IS NOT TO SCALE

FRAME LINES: 1



RIGID FRAME: BASIC COLUMN REACTIONS (k)

Frame Line	Column Line	Dead		Collateral		Live		Snow		Wind_Left1		Wind_Right1	
		Horiz	Vert	Horiz	Vert	Horiz	Vert	Horiz	Vert	Horiz	Vert	Horiz	Vert
1	D	0.1	1.3	0.0	0.5	0.2	2.2	0.4	5.1	-2.7	-5.4	3.2	1.3
1	A	-0.1	1.3	0.0	0.5	-0.2	2.2	-0.4	5.1	-3.2	1.3	2.7	-5.4
1	C	0.0	1.6	0.0	1.1	0.0	4.7	0.0	10.8	0.0	-0.4	0.0	-7.5
1	B	0.0	1.6	0.0	1.1	0.0	4.7	0.0	10.8	0.0	-0.4	0.0	-7.5

Frame Line	Column Line	Wind_Left2		Wind_Right2		Wind_Long1		Wind_Long2		Seismic_Left		Seismic_Right	
		Horiz	Vert	Horiz	Vert	Horiz	Vert	Horiz	Vert	Horiz	Vert	Horiz	Vert
1	D	-4.0	-3.6	1.8	3.2	1.3	-2.7	1.2	-2.1	-0.7	-1.2	0.7	1.2
1	A	-1.8	3.2	4.0	-3.6	-1.2	-2.1	-1.3	-2.7	-0.7	1.2	0.7	-1.2
1	C	0.0	2.0	0.0	-5.0	0.0	-4.7	0.0	-2.5	0.0	1.7	0.0	-1.7
1	B	0.0	-5.0	0.0	2.0	0.0	-2.5	0.0	-4.7	0.0	-1.7	0.0	1.7

Frame Line	Column Line	F1PAT_SL_1		F1PAT_SL_2		F1PAT_SL_3		F1PAT_SL_4		F1PAT_SL_5		F1UNB_SL_L	
		Horiz	Vert	Horiz	Vert	Horiz	Vert	Horiz	Vert	Horiz	Vert	Horiz	Vert
1	D	0.1	2.6	0.0	-0.3	0.1	0.3	0.1	2.3	0.1	0.0	0.3	5.0
1	A	-0.1	0.3	0.0	-0.3	-0.1	2.6	-0.1	0.0	-0.1	2.3	-0.3	2.7
1	C	0.0	3.2	0.0	2.9	0.0	-0.7	0.0	6.1	0.0	2.2	0.0	10.7
1	B	0.0	-0.7	0.0	2.9	0.0	3.2	0.0	2.2	0.0	6.1	0.0	5.5

Frame Line	Column Line	F1UNB_SL_R	
		Horiz	Vert
1	D	0.3	2.7
1	A	-0.3	5.0
1	C	0.0	5.5
1	B	0.0	10.7

Frame Line	Column Line	Dead		Collateral		Live		Snow		Wind_Left1		Wind_Right1	
		Horiz	Vert	Horiz	Vert	Horiz	Vert	Horiz	Vert	Horiz	Vert	Horiz	Vert
2	D	1.6	5.0	1.5	3.9	6.3	16.2	14.4	37.4	-7.7	-14.5	1.9	-7.1
2	A	-1.6	5.0	-1.5	3.9	-6.3	16.2	-14.4	37.4	-1.9	-7.1	7.7	-14.5

Frame Line	Column Line	Wind_Left2		Wind_Right2		Wind_Long1		Wind_Long2		Seismic_Left		Seismic_Right	
		Horiz	Vert	Horiz	Vert	Horiz	Vert	Horiz	Vert	Horiz	Vert	Horiz	Vert
2	D	-7.6	-4.3	2.0	3.0	-0.4	-11.8	-0.6	-9.8	-1.4	-1.1	1.4	1.1
2	A	-2.0	3.0	7.6	-4.3	0.6	-9.8	0.4	-11.8	-1.4	1.1	1.4	-1.1

Frame Line	Column Line	F2UNB_SL_L		F2UNB_SL_R	
		Horiz	Vert	Horiz	Vert
2	D	10.8	32.8	10.8	23.3
2	A	-10.8	23.3	-10.8	32.8

Frame Line	Column Line	Dead		Collateral		Live		Snow		Snow_Drift		Wind_Left1	
		Horiz	Vert	Horiz	Vert	Horiz	Vert	Horiz	Vert	Horiz	Vert	Horiz	Vert
3	D	0.9	4.4	0.7	2.5	3.1	10.3	7.2	24.0	0.3	5.0	-7.6	-13.2
3	A	-0.9	4.4	-0.7	2.5	-3.1	10.3	-7.2	24.0	-0.3	5.0	-4.2	-6.1

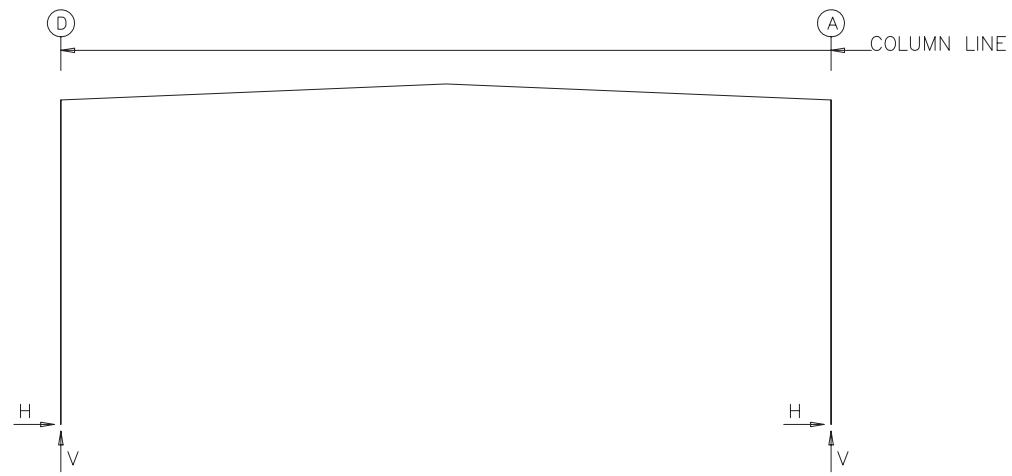
  

Frame Line	Column Line	Wind_Right1		Wind_Left2		Wind_Right2		Wind_Long1		Wind_Long2		Seismic_Left	
		Horiz	Vert	Horiz	Vert	Horiz	Vert	Horiz	Vert	Horiz	Vert	Horiz	Vert
3	D	4.2	-6.1	-9.6	-8.8	2.3	-1.7	1.1	-10.4	1.0	-9.0	-1.6	-1.3
3	A	7.6	-13.2	-2.3	-1.7	9.6	-8.8	-1.0	-9.0	-1.1	-10.4	-1.7	1.3

Frame Line	Column Line	Seismic_Right		F3UNB_SL_L		F3UNB_SL_R	
		Horiz	Vert	Horiz	Vert	Horiz	Vert
3	D	1.7	1.3	5.1	14.2	5.1	10.1
3	A	1.6	-1.3	-5.1	10.1	-5.1	14.2

FRAME LINES: 2 3



RIGID FRAME: ANCHOR BOLTS & BASE PLATES

Frm Line	Col Line	Anc. Bolt Qty	Bolt Dia	Base_Plate (in)			AFF/BFF (in)
				Width	Length	Thick	
1	D	4	0.750	8.000	10.88	0.500	0.0
1	A	4	0.750	8.000	10.88	0.500	0.0
1	C	4	0.750	8.000	9.875	0.500	0.0
1	B	4	0.750	8.000	9.875	0.500	0.0

RIGID FRAME: ANCHOR BOLTS & BASE PLATES

Frm Line	Col Line	Anc. Bolt Qty	Bolt Dia	Base_Plate (in)			AFF/BFF (in)
				Width	Length	Thick	
2	D	4	0.750	8.000	15.81	0.500	0.0
2	A	4	0.750	8.000	15.81	0.500	0.0

RIGID FRAME: ANCHOR BOLTS & BASE PLATES

Frm Line	Col Line	Anc. Bolt Qty	Bolt Dia	Base_Plate (in)			AFF/BFF (in)
				Width	Length	Thick	
3	D	4	0.750	8.000	16.00	0.500	0.0
3	A	4	0.750	8.000	16.00	0.500	0.0

WIND BENT REACTIONS

Loc	Wall Line	Col Line	± Reactions				Bolt & Base Plate				
			Wind(k)		Seismic(k)		Bolt Qty	Bolt Dia	Base_Plate (in)		
			Horz	Vert	Horz	Vert			Width	Length	Thick
F_SW	A	2	3.1	8.7	6.0	16.5	4	0.750	10.000	16.000	0.500
F_SW	A	3	3.1	8.7	6.0	16.5	4	0.750	10.000	16.000	0.500
B_SW	D	3	3.1	8.7	6.0	16.5	4	0.750	10.000	16.000	0.500
B_SW	D	2	3.1	8.7	6.0	16.5	4	0.750	10.000	16.000	0.500



LP BUILDING - PORT PERRY  
 60'-6" x 42'-3" x 25'-6"  
 DATE: 8/12/22 REVISION: 0  
 ENG: MQZ DWN: BJC APPD: AJR

F.O. 26320

REV.	DESCRIPTION	DATE

DRAWING STATUS
<input type="checkbox"/> FOR APPROVAL: THESE DRAWINGS, BEING FOR APPROVAL, ARE BY DEFINITION NOT FINAL, AND ARE FOR CONCEPTUAL REPRESENTATION ONLY. THEIR PURPOSE IS TO CONFIRM PROPER INTERPRETATION OF THE PROJECT DOCUMENTS. ONLY DRAWINGS ISSUED "FOR CONSTRUCTION" CAN BE CONSIDERED AS COMPLETE.
<input checked="" type="checkbox"/> FOR PERMIT: THESE DRAWINGS, BEING FOR PERMIT, ARE BY DEFINITION NOT FINAL. ONLY DRAWINGS ISSUED "FOR CONSTRUCTION" CAN BE CONSIDERED AS COMPLETE.
<input type="checkbox"/> FOR CONSTRUCTION: FINAL DRAWINGS.



08/31/2022

**ENDWALL COLUMN:** BASIC COLUMN REACTIONS (k )

Frm Line	Col Line	Wind Press Horz	Wind Suct Horz
1	C	-3.4	2.3
1	B	-3.4	2.3

Frm Line	Col Line	Dead Vert	Collat Vert	Live Vert	Snow Vert	Snow Drift Vert	Wind_Press Horz	Wind_Press Vert	Wind_Suct Horz	Wind_Suct Vert
3	B	2.9	1.5	6.2	14.3	9.3	-3.6	-6.3	2.5	-6.3
3	C	2.9	1.5	6.2	14.3	9.3	-3.6	-6.3	2.5	-6.3

**ANCHOR BOLTS & BASE PLATES**

Frm Line	Col Line	Anc_Bolt Qty	Anc_Dia	Base_Plate Width	Base_Plate Length	Base_Plate Thick	AFF/BFF (in)
3	B	4	0.750	6.000	10.13	0.375	0.0
3	C	4	0.750	6.000	10.13	0.375	0.0

**ANCHOR BOLT SUMMARY**

Qty	Locate	Dia (in)	Type
⊕ 16	Endwall	3/4"	
⊕ 24	Frame	3/4"	
⊕ 16	WindCol	3/4"	

**BUILDING BRACING REACTIONS**

Loc	Wall Line	Col Line	Reactions in plane of wall ± Reactions(k)				Panel Shear (lb/ft)		Note
			Wind Horz	Wind Vert	Seismic Horz	Seismic Vert	Wind	Seis	
L_EW	1								(h)
F_SW	A	2,3							(a)
R_EW	3								(h)
B_SW	D	2,3							(a)

(a)Wind bent in bay  
(h)Rigid frame at endwall

**DESIGN INFORMATION**

- All loading conditions are examined and only the maximum / minimum H or V and the corresponding H or V are reported.
- Positive reactions are shown in the sketch. Foundation loads are in opposite directions.
- Bracing reactions are in the plane of the brace with the H pointing away from the braced bay. The vertical reaction is downward.
- Building reactions are based on the following building data:

DESIGN CRITERIA		SEISMIC CRITERIA		DEFLECTION LIMITS	
Width (ft)	= 60.5	Seismic Importance	= 1.00	ENDWALL COLUMN	L/ 180
Length (ft)	= 42.25	Risk Category	= II - Normal	ENDWALL RAFTER (Live)	L/ 180
Eave Height (ft)	= 25.5			ENDWALL RAFTER (Wind)	L/ 180
Roof Slope (rise/12)	= 0.5:12	Mapped Spectral Response Accelerations		WALL GIRTS	L/ 90
Building Code	= NBC 15	Sa (0.2)	= 0.144	PURLIN (LIVE)	L/ 180
Local Code (State/Prov)	= ONBC 12 W/ 2020 AMEND	Sa (0.5)	= 0.091	PURLIN (WIND)	L/ 180
Dead Load (psf)	= 3.770	Sa (1.0)	= 0.053	WALL PANEL	L/ 90
Collateral Load (psf)	= 5.00	Sa (2.0)	= 0.027	ROOF PANEL (Live)	L/ 180
Roof Live Load (psf)	= 21.00	Sa (5.0)	= 0.0067	ROOF PANEL (Wind)	L/ 120
Frame Live Load (psf)	= 21.00	Sa (10.0)	= 0.0028	Main Frame (Horiz)	H/ 60
Snow:		Site Class	= D	Main Frame (Vert)	L/ 180
Ground Snow Load (psf)	= 50.16	-----Base Shear-----		WIND BRACING	H/ 60
Snow Importance	= 1.0000	Expanded Formula = S(Ta)*Mv*le*W/(Rd*Ro)		Main Frame (Crane)	H/ 100
Associated Rain Load (psf)	= 8.36	Longitudinal Base Shear (k)	= 23.84	Main Frame (Seismic)	H/ 40
Wind Exposure Factor	= 1.00	Transverse Base Shear (k)	= 5.84	SEISMIC BRACING	H/ 40
Slippery Roof	= N	---Seismic Response Coefficients---		PARTITION COLUMN	L/ 120
Roof Snow Load (psf)	= 48.49	Frame = 0.069		PARTITION GIRT	L/ 120
Wind:		FSW = 0.069		PARTITION PANEL	L/ 120
Wind (1/50) (psf)	= 9.2	BSW = 0.069			
Risk Category	= II - Normal	---Response Modification Factors---			
Importance - Wind	= 1.00	Frame = 1.5			
Wind Exposure	= 0	FSW = 1.5			
Enclosure Classification	= 2	BSW = 1.5			
---Internal Pressure Coefficients---					
Pressure	= 0.30				
Suction	= -0.45				
----Components & Cladding----					
Design Pressure:					
Pressure (psf)	= 23.62				
Suction (psf)	= -23.67				
Equivalent Static Force Procedure.					



**LP BUILDING - PORT PERRY**  
**60'-6" x 42'-3" x 25'-6"**  
**DATE: 8/12/22** **REVISION: 0**  
**ENG: MQZ** **DWN: BJC** **APPD: AJR**

**F.O. 26320**

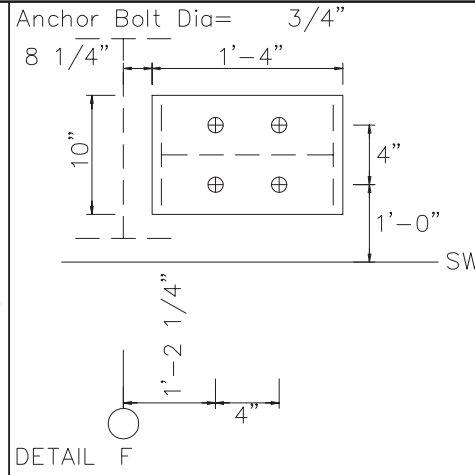
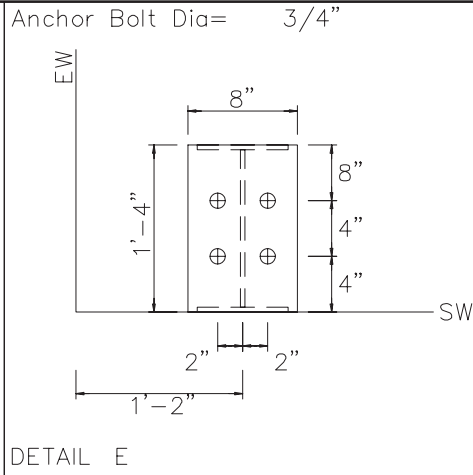
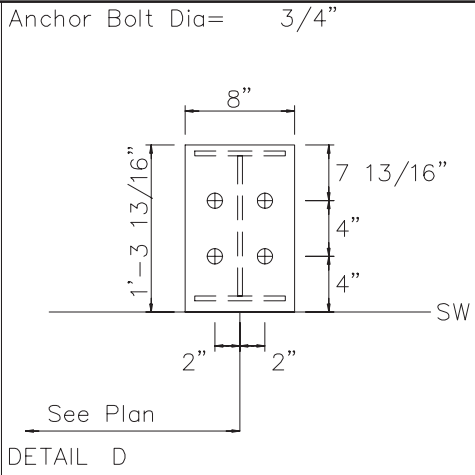
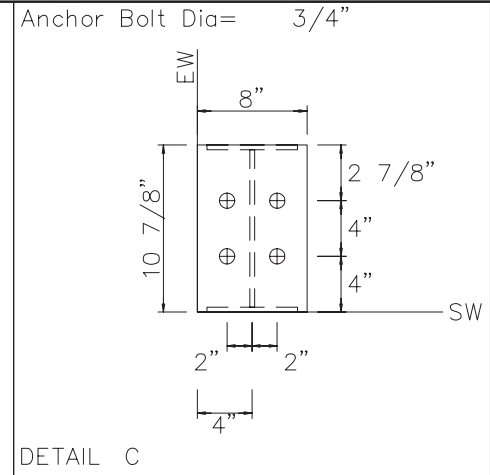
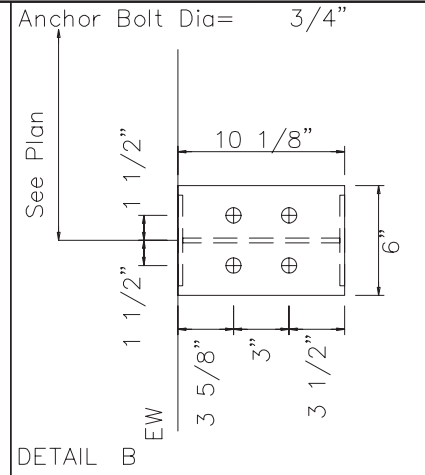
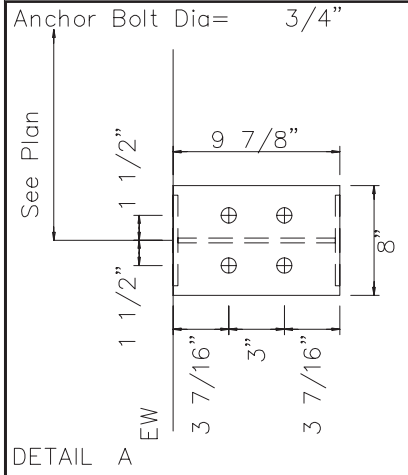
REV.	REVISION HISTORY	
	DESCRIPTION	DATE

<input type="checkbox"/>	<b>DRAWING STATUS</b>	FOR APPROVAL: THESE DRAWINGS, BEING FOR APPROVAL, ARE BY DEFINITION NOT FINAL, AND ARE FOR CONCEPTUAL REPRESENTATION ONLY. THEIR PURPOSE IS TO CONFIRM PROPER INTERPRETATION OF THE PROJECT DOCUMENTS. ONLY DRAWINGS ISSUED "FOR CONSTRUCTION" CAN BE CONSIDERED AS COMPLETE.
<input checked="" type="checkbox"/>	<b>FOR PERMIT:</b>	THESE DRAWINGS, BEING FOR PERMIT, ARE BY DEFINITION NOT FINAL. ONLY DRAWINGS ISSUED "FOR CONSTRUCTION" CAN BE CONSIDERED AS COMPLETE.
<input type="checkbox"/>	<b>FOR CONSTRUCTION:</b>	FINAL DRAWINGS.



08/31/2022



LP BUILDING - PORT PERRY  
 60'-6" x 42'-3" x 25'-6"  
 DATE: 8/12/22 REVISION: 0  
 ENG: MQZ DWN: BJC APPD: AJR

F.O. 26320

REVISION HISTORY

REV.	DESCRIPTION	DATE

DRAWING STATUS

FOR APPROVAL: THESE DRAWINGS, BEING FOR APPROVAL, ARE BY DEFINITION NOT FINAL, AND ARE FOR CONCEPTUAL REPRESENTATION ONLY. THEIR PURPOSE IS TO CONFIRM PROPER INTERPRETATION OF THE PROJECT DOCUMENTS. ONLY DRAWINGS ISSUED "FOR CONSTRUCTION" CAN BE CONSIDERED AS COMPLETE.

FOR PERMIT: THESE DRAWINGS, BEING FOR PERMIT, ARE BY DEFINITION NOT FINAL. ONLY DRAWINGS ISSUED "FOR CONSTRUCTION" CAN BE CONSIDERED AS COMPLETE.

FOR CONSTRUCTION: FINAL DRAWINGS.

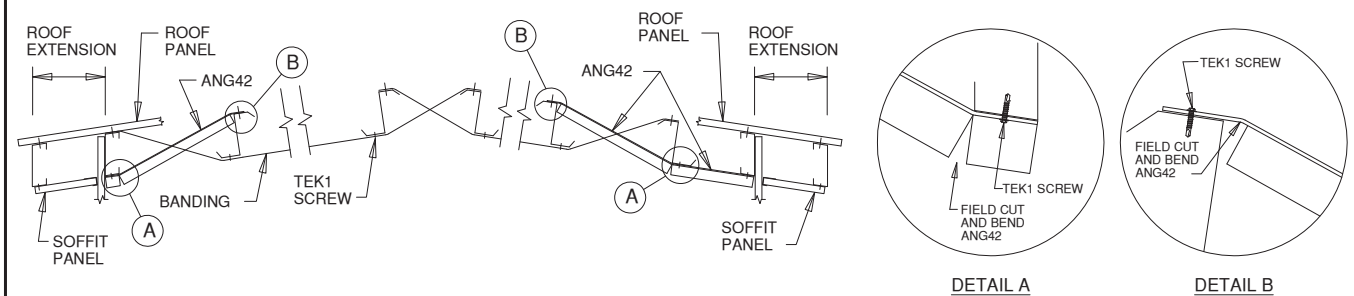


08/31/2022

DRAWING IS NOT TO SCALE

**STANDARD PURLIN BRACING DETAIL FOR SCREW-DOWN PANELS**

NOTE 1: SPACE BANDING EVENLY ACROSS BAYS



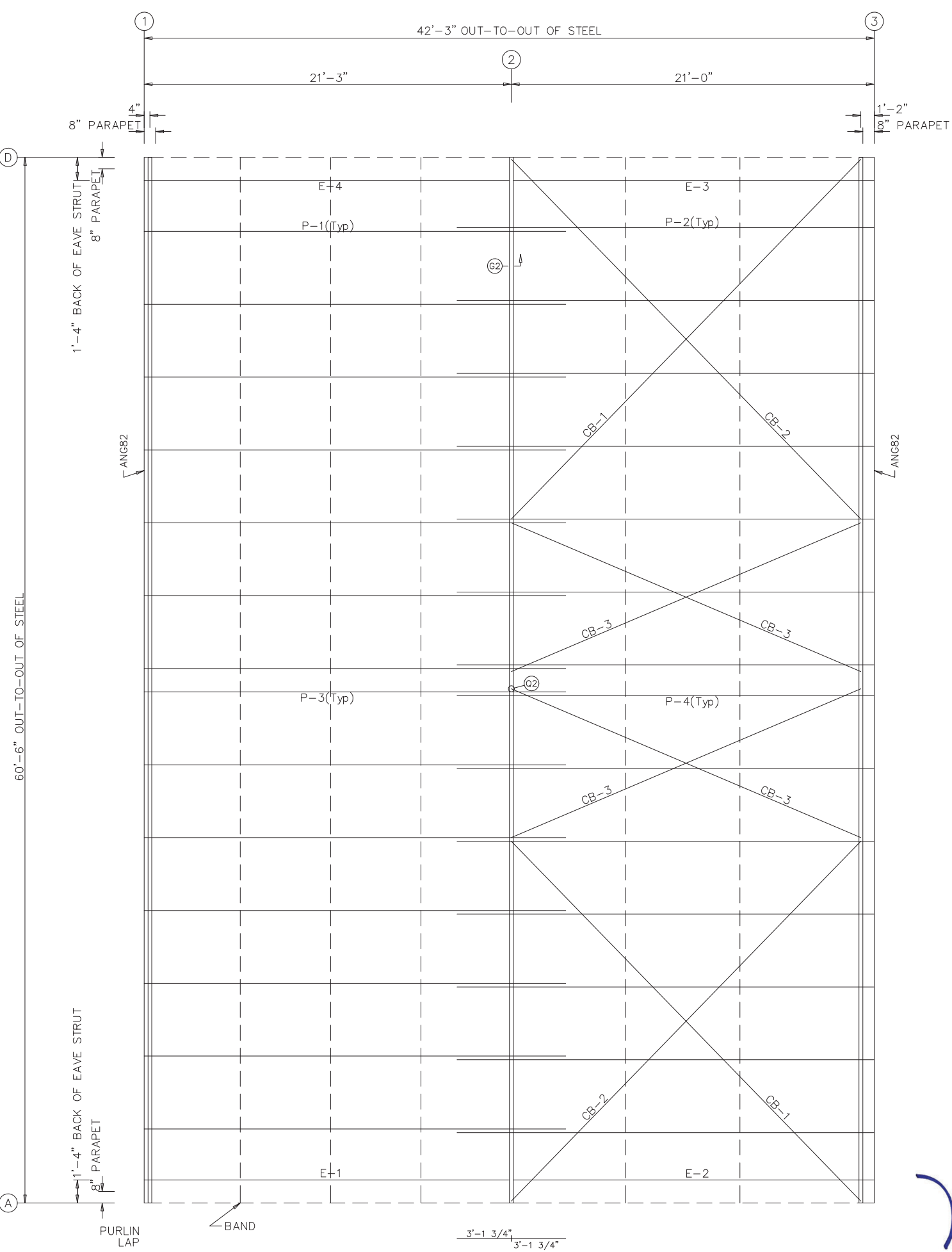
CONDITION 1:  
FIRST PURLIN SPACE  
GREATER THAN 2'-0"

CONDITION 2:  
FIRST PURLIN SPACE LESS  
THAN OR EQUAL TO 2'-0"

**NOTE(S):**  
1.) INTERNAL GUTTER AND DOWNSPOUTS ARE SUPPLIED BY OTHERS.  
2.) BUILDING IS DESIGNED WITH A SECONDARY DRAINAGE SYSTEM OF  
(1) 12" x 8" SCUPPER IN EACH BAY OF THE PARAPET.

**MEMBER TABLE**  
**ROOF PLAN**

QUAN	MARK	PART	LENGTH
7	P-1	10X25Z13	24'-4 1/2"
7	P-2	10X25Z13	24'-1 1/2"
7	P-3	10X25Z13	24'-4 1/2"
7	P-4	10X25Z13	24'-1 1/2"
1	E-1	10X35E13	21'-2 1/2"
1	E-2	10X35E13	20'-11 1/2"
1	E-3	10X35E13	20'-11 1/2"
1	E-4	10X35E13	21'-2 1/2"
2	CB-1	CABLE375	25'-2 5/16"
2	CB-2	CABLE375	24'-10 1/4"
4	CB-3	CABLE250	19'-8 9/16"



**DRAWING IS NOT TO SCALE**

**GENERAL NOTES:**

- Screw Down Roof: Use TEK5WW screws in place of SD150 panel screws at all 10 gage purlins, eave struts, or roof joists.
- Standing Seam Roof: Use FST#6 in place of FST#1 clip to purlin screws at all 10 gage purlins, eave struts, or at roof joists.

ROOF FRAMING PLAN



**LP BUILDING - PORT PERRY**  
60'-6" x 42'-3" x 25'-6"  
DATE: 8/17/22 REVISION: 0  
ENG: MQZ DWN: BJC APPD: AJR

F.O. 26320

**REVISION HISTORY**

REV.	DESCRIPTION	DATE

**LP BUILDING - PORT PERRY**

**DRAWING STATUS**

FOR APPROVAL: THESE DRAWINGS, BEING FOR APPROVAL, ARE BY DEFINITION NOT FINAL, AND ARE FOR CONCEPTUAL REPRESENTATION ONLY. THEIR PURPOSE IS TO CONFIRM PROPER INTERPRETATION OF THE PROJECT DOCUMENTS. ONLY DRAWINGS ISSUED "FOR CONSTRUCTION" CAN BE CONSIDERED AS COMPLETE.

FOR PERMIT: THESE DRAWINGS, BEING FOR PERMIT, ARE BY DEFINITION NOT FINAL. ONLY DRAWINGS ISSUED "FOR CONSTRUCTION" CAN BE CONSIDERED AS COMPLETE.

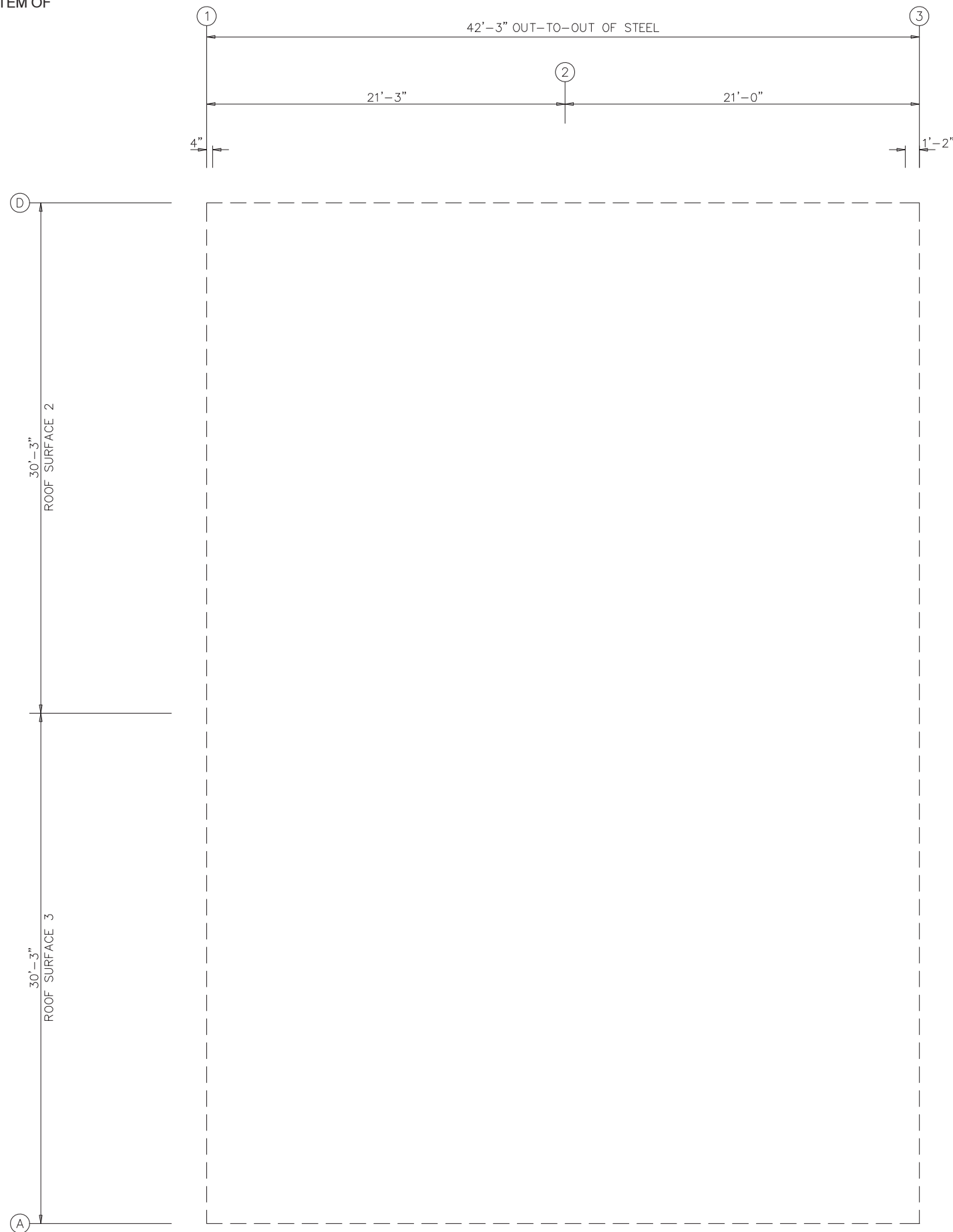
FOR CONSTRUCTION: FINAL DRAWINGS.



08/31/2022

NOTE(S):

- INTERNAL GUTTER AND DOWNSPOUTS ARE SUPPLIED BY OTHERS.
- BUILDING IS DESIGNED WITH A SECONDARY DRAINAGE SYSTEM OF (1) 12" x 8" SCUPPER IN EACH BAY OF THE PARAPET.



GENERAL NOTES:

Panel "Start" and "End" dimensions must be followed for the proper installation of the gable trim(s) provided.

ROOF SHEETING PLAN

PANELS: ARPANEL D PUR/PIR 120 - By Others

DRAWING IS NOT TO SCALE



LP BUILDING - PORT PERRY

60'-6" x 42'-3" x 25'-6"

DATE: 8/17/22 REVISION: 0

ENG: MQZ DWN: BJC APPD: AJR

F.O. 26320

LP BUILDING - PORT PERRY

REVISION HISTORY	
REV.	DESCRIPTION

**DRAWING STATUS**

FOR APPROVAL: THESE DRAWINGS, BEING FOR APPROVAL, ARE BY DEFINITION NOT FINAL, AND ARE FOR CONCEPTUAL REPRESENTATION ONLY. THEIR PURPOSE IS TO CONFIRM PROPER INTERPRETATION OF THE PROJECT DOCUMENTS. ONLY DRAWINGS ISSUED "FOR CONSTRUCTION" CAN BE CONSIDERED AS COMPLETE.

FOR PERMIT: THESE DRAWINGS, BEING FOR PERMIT, ARE BY DEFINITION NOT FINAL. ONLY DRAWINGS ISSUED "FOR CONSTRUCTION" CAN BE CONSIDERED AS COMPLETE.

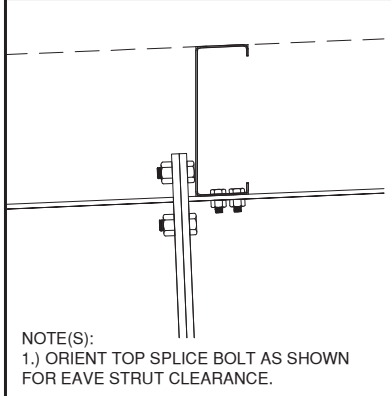
FOR CONSTRUCTION: FINAL DRAWINGS.



08/31/2022



SPLICE BOLT TABLE						
Mark	Qty		Int	Type	Dia	Length
	Top	Bot				
SP-1	4	4	0	A325	0.750	2.00
SP-2	4	4	2	A325	0.500	1.50

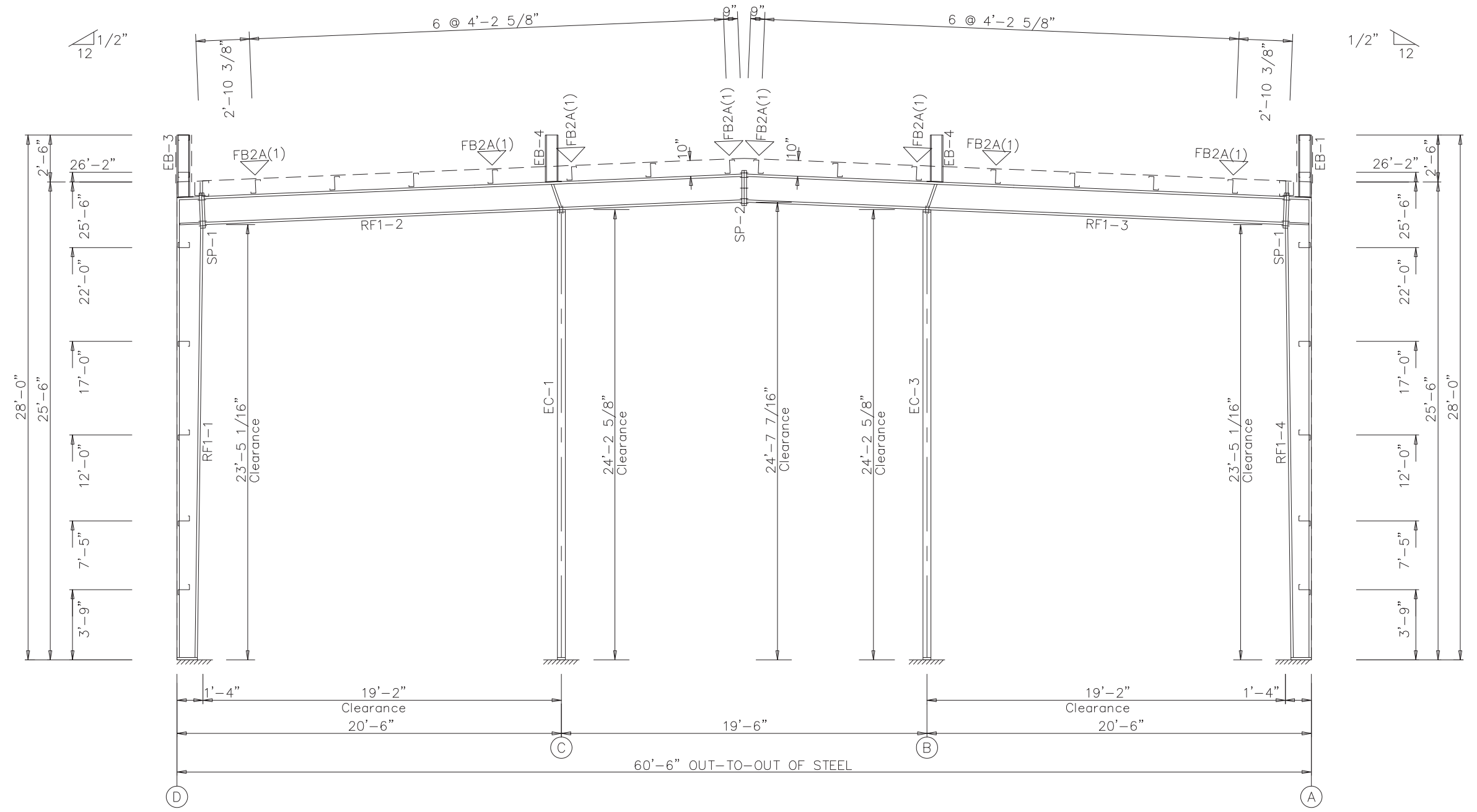


CAP PLATE BOLTS				
Mark	Qty	Type	Dia	Length
EC-3	4	A325	0.500	1.50

EXTENSION BOLTS				
Mark	Qty	Type	Dia	Length

▽ FLANGE BRACES: Both Sides(U.N.)  
FBxxA(1)  
A - L15X1/8

Mark	Web Depth		Web Plate		Outside Flange			Inside Flange		
	Start	End	Thick	Length	W	Thk	Length	W	Thk	Length
RF1-1	10.0	13.2	0.149	180.0	6	1/2"	x 295.2	6	3/8"	x 120.0
RF1-2	13.2	15.0	0.188	115.8	6	5/16"	x 14.7	6	1/2"	x 157.7
	15.0	15.0	0.250	270.0	6	5/16"	x 347.2	6	5/16"	x 346.5
RF1-3	15.0	15.0	0.250	77.2	6	5/16"	x 347.2	6	5/16"	x 346.5
	15.0	15.0	0.250	77.2						
RF1-4	15.0	13.2	0.250	270.0	6	5/16"	x 14.7	6	1/2"	x 157.7
	13.2	10.0	0.149	180.0	6	1/2"	x 295.2	6	3/8"	x 120.0
EC-1	W10X12									
EC-3	W10X12									
EB-1	W8X18									
EB-3	W8X18									
EB-4	W8X18									



RIGID FRAME ELEVATION: FRAME LINE 1

- GENERAL NOTES:
- See Detail Sheets for Connection Information.
  - See Shipping List for Flange Brace Lengths.

DRAWING IS NOT TO SCALE



LP BUILDING - PORT PERRY  
60'-6" x 42'-3" x 25'-6"  
DATE: 8/17/22 REVISION: 0  
ENG: MQZ DWN: BJC APPD: AJR

F.O. 26320

LP BUILDING - PORT PERRY

DRAWING STATUS		REVISION HISTORY	
REV.	DESCRIPTION	REV.	DESCRIPTION

FOR APPROVAL: THESE DRAWINGS, BEING FOR APPROVAL, ARE BY DEFINITION NOT FINAL, AND ARE FOR CONCEPTUAL REPRESENTATION ONLY. THEIR PURPOSE IS TO CONFIRM PROPER INTERPRETATION OF THE PROJECT DOCUMENTS. ONLY DRAWINGS ISSUED "FOR CONSTRUCTION" CAN BE CONSIDERED AS COMPLETE.

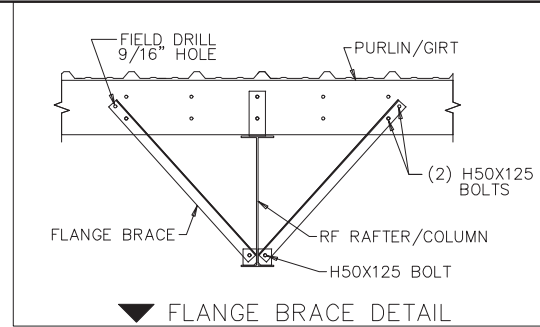
FOR PERMIT: THESE DRAWINGS, BEING FOR PERMIT, ARE BY DEFINITION NOT FINAL. ONLY DRAWINGS ISSUED "FOR CONSTRUCTION" CAN BE CONSIDERED AS COMPLETE.

FOR CONSTRUCTION: FINAL DRAWINGS.



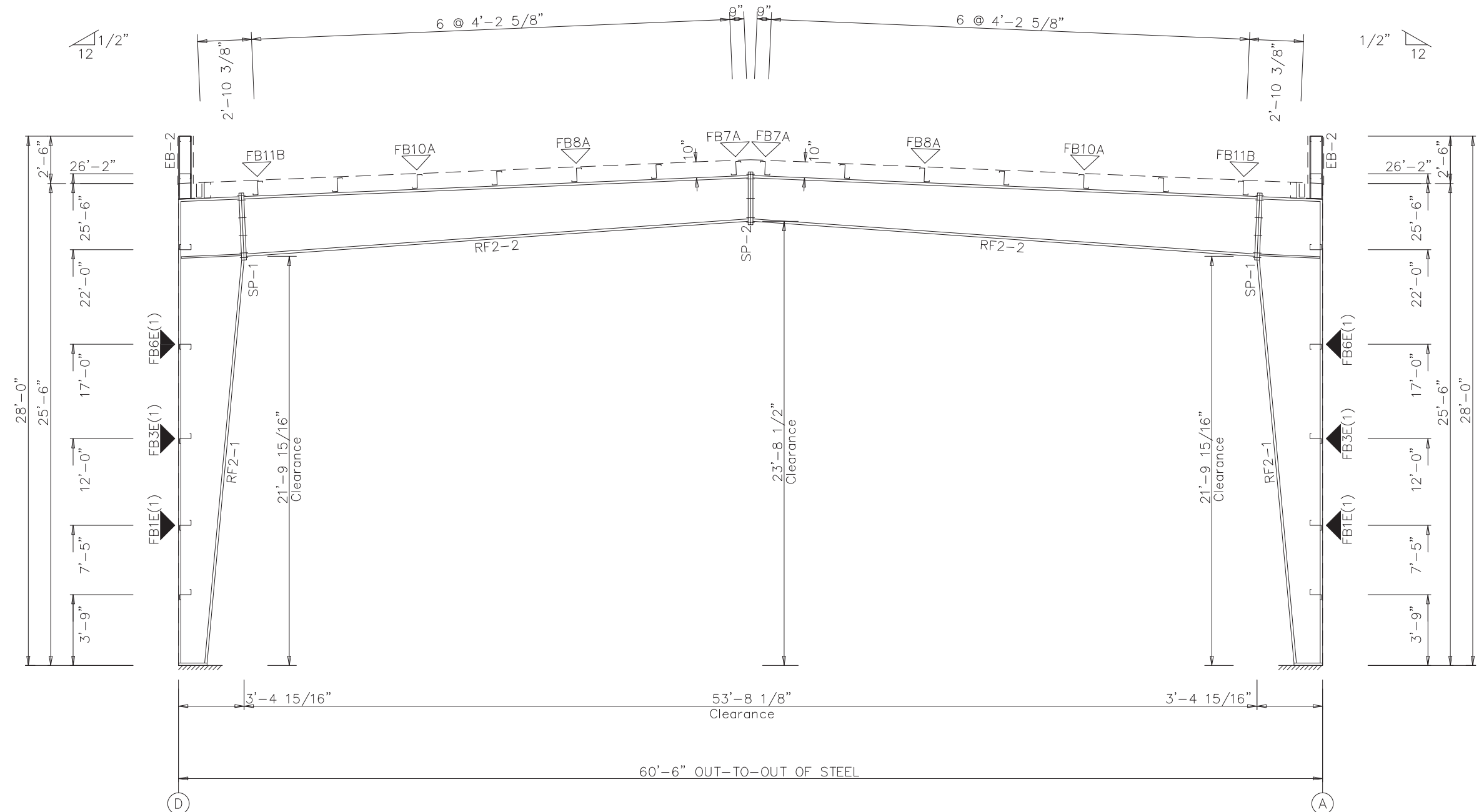
08/31/2022

SPLICE BOLT TABLE						
Mark	Qty		Int	Type	Dia	Length
	Top	Bot				
SP-1	4	4	4	A325	1.000	2.75
SP-2	4	4	2	A325	1.000	2.75



MEMBER TABLE										
Mark	Web Depth		Web Plate		Outside Flange			Inside Flange		
	Start	End	Thick	Length	W	Thk	Length	W	Thk	Length
RF2-1	15.0	32.5	0.188	180.0	6 x 1/4"	x 180.0		6 x 1/2"	x 120.5	
	32.5	40.0	0.219	116.9	6 x 5/16"	x 115.2		6 x 5/8"	x 138.5	
RF2-2	35.0	32.7	0.313	82.3	6 x 1/4"	x 38.7		6 x 1/2"	x 82.4	
	32.7	26.0	0.250	240.0	6 x 1/4"	x 82.3		6 x 1/4"	x 120.0	
EB-2	W8X18				6 x 5/16"	x 120.0		6 x 5/16"	x 118.9	

▽ FLANGE BRACES: Both Sides(U.N.)  
 FBxxE(1)  
 E - L30X1/4  
 B - L20X3/16  
 A - L15X1/8



RIGID FRAME ELEVATION: FRAME LINE 2

GENERAL NOTES:  
 1. See Detail Sheets for Connection Information.  
 2. See Shipping List for Flange Brace Lengths.

DRAWING IS NOT TO SCALE



LP BUILDING - PORT PERRY  
 60'-6" x 42'-3" x 25'-6"  
 DATE: 8/17/22 REVISION: 0  
 ENG: MQZ DWN: BJC APPD: AJR

F.O. 26320

LP BUILDING - PORT PERRY

REVISION HISTORY	
REV.	DESCRIPTION

**DRAWING STATUS**  
 FOR APPROVAL: THESE DRAWINGS, BEING FOR APPROVAL, ARE BY DEFINITION NOT FINAL, AND ARE FOR CONCEPTUAL REPRESENTATION ONLY. THEIR PURPOSE IS TO CONFIRM PROPER INTERPRETATION OF THE PROJECT DOCUMENTS. ONLY DRAWINGS ISSUED "FOR CONSTRUCTION" CAN BE CONSIDERED AS COMPLETE.  
 FOR PERMIT: THESE DRAWINGS, BEING FOR PERMIT, ARE BY DEFINITION NOT FINAL. ONLY DRAWINGS ISSUED "FOR CONSTRUCTION" CAN BE CONSIDERED AS COMPLETE.  
 FOR CONSTRUCTION: FINAL DRAWINGS.

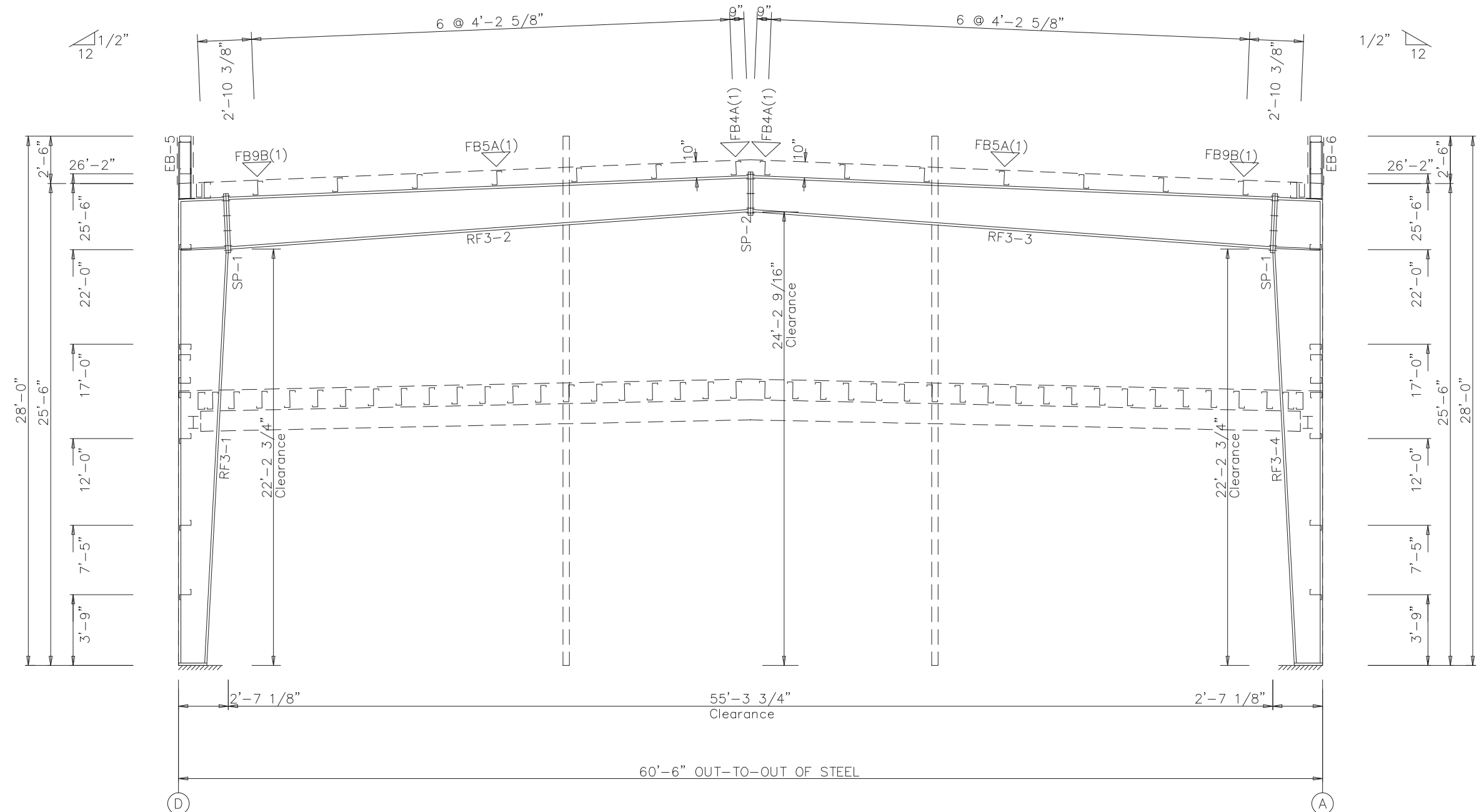


08/31/2022

SPLICE BOLT TABLE						
Mark	Qty		Int	Type	Dia	Length
	Top	Bot				
SP-1	4	4	4	A325	0.750	2.25
SP-2	4	4	2	A325	0.750	2.00

▽ FLANGE BRACES: Both Sides(U.N.)  
 FBxxB(1)  
 B - L20X3/16  
 A - L15X1/8

Mark	Web Depth		Web Plate		Outside Flange			Inside Flange		
	Start	End	Thick	Length	W	Thk	Length	W	Thk	Length
RF3-1	15.0	25.3	0.188	180.0	8	1/2"	x 295.2	8	1/2"	x 180.3
RF3-2	25.3	30.0	0.219	116.5	6	1/4"	x 29.1	8	5/8"	x 83.3
	30.0	21.9	0.188	270.0	6	1/4"	x 212.4	6	5/16"	x 92.5
RF3-3	21.9	20.0	0.188	62.4	6	5/16"	x 120.0	6	1/4"	x 239.3
	20.0	21.9	0.188	62.4	6	5/16"	x 120.0	6	1/4"	x 239.3
RF3-4	21.9	30.0	0.188	270.0	6	1/4"	x 212.4	6	5/16"	x 92.5
	30.0	25.3	0.219	116.5	6	1/4"	x 29.1	8	5/8"	x 83.3
EB-5	25.3	15.0	0.188	180.0	8	1/2"	x 295.2	8	1/2"	x 180.3
	W8X18									
EB-6	W8X18									



RIGID FRAME ELEVATION: FRAME LINE 3

GENERAL NOTES:  
 1. See Detail Sheets for Connection Information.  
 2. See Shipping List for Flange Brace Lengths.

DRAWING IS NOT TO SCALE



LP BUILDING - PORT PERRY  
 60'-6" x 42'-3" x 25'-6"  
 DATE: 8/17/22 REVISION: 0  
 ENG: MQZ DWN: BJC APPD: AJR

F.O. 26320

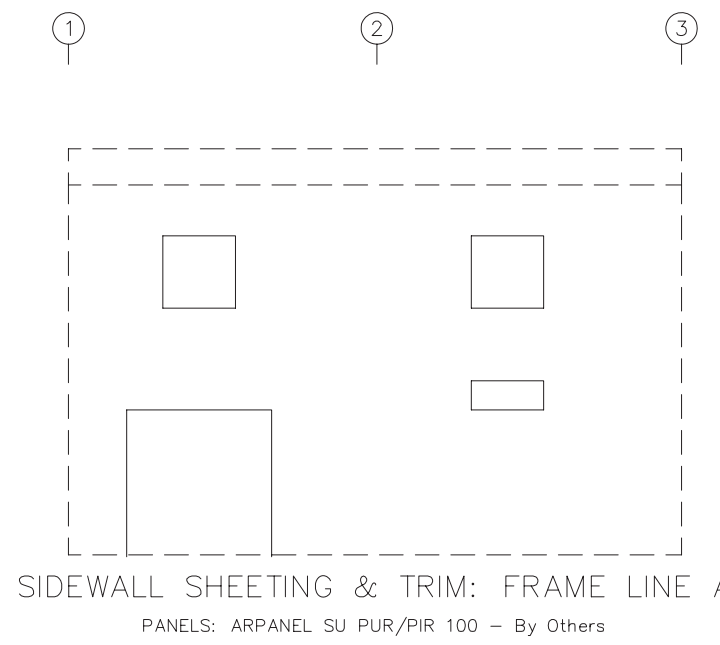
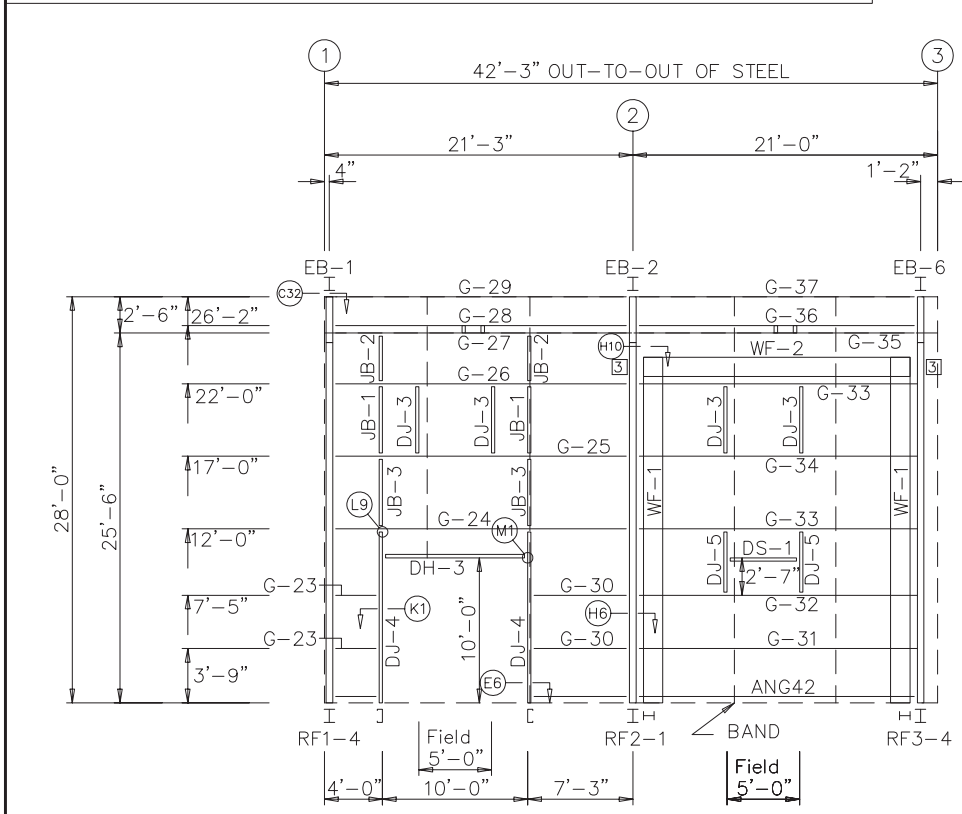
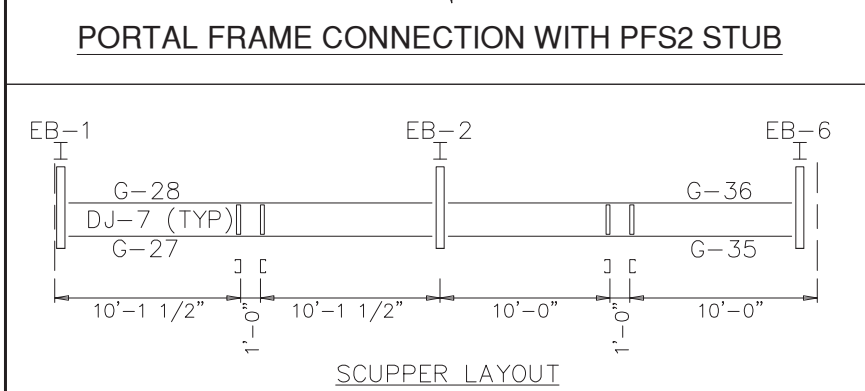
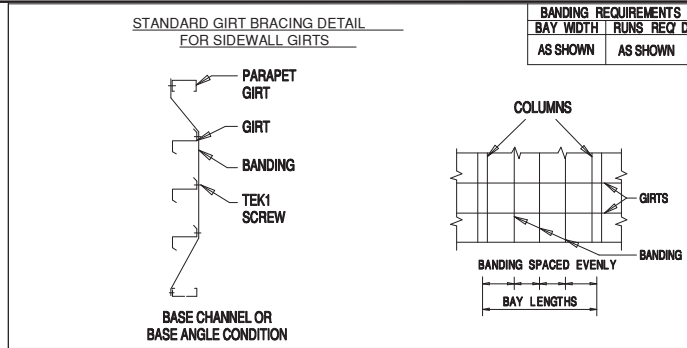
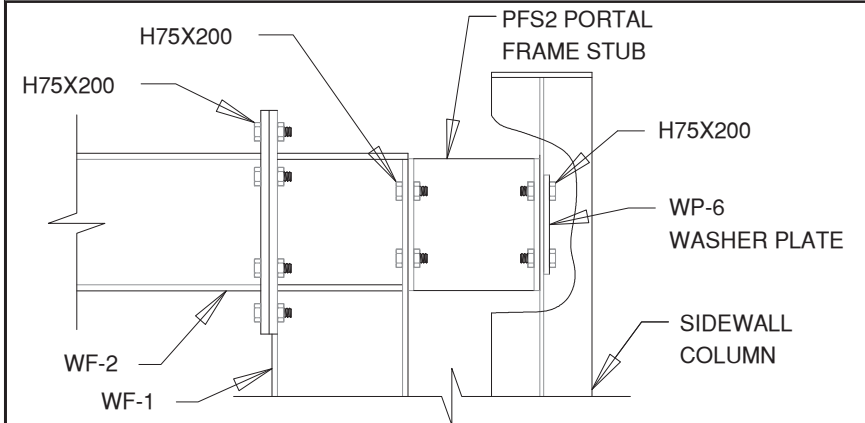
LP BUILDING - PORT PERRY

REVISION HISTORY	
REV.	DESCRIPTION

**DRAWING STATUS**  
 FOR APPROVAL: THESE DRAWINGS, BEING FOR APPROVAL, ARE BY DEFINITION NOT FINAL, AND ARE FOR CONCEPTUAL REPRESENTATION ONLY. THEIR PURPOSE IS TO CONFIRM PROPER INTERPRETATION OF THE PROJECT DOCUMENTS. ONLY DRAWINGS ISSUED "FOR CONSTRUCTION" CAN BE CONSIDERED AS COMPLETE.  
 FOR PERMIT: THESE DRAWINGS, BEING FOR PERMIT, ARE BY DEFINITION NOT FINAL. ONLY DRAWINGS ISSUED "FOR CONSTRUCTION" CAN BE CONSIDERED AS COMPLETE.  
 FOR CONSTRUCTION: FINAL DRAWINGS.



08/31/2022



BOLT TABLE FRAME LINE A				
LOCATION	QUAN	TYPE	DIA	LENGTH
EB-1	6	A325	1/2"	1 1/4"
EB-2	6	A325	1/2"	1 1/4"
EB-6	6	A325	1/2"	1 1/4"

MEMBER TABLE FRAME LINE A				
QUAN	MARK	PART	LENGTH	
2	WF-1	W1610084	24'-4"	
1	WF-2	W1612084	15'-9 1/2"	
1	EB-1	W8X18	3'-4"	
1	EB-2	W8X18	3'-4"	
1	EB-6	W8X18	3'-4"	
4	DJ-3	08X35C14	4'-11 1/2"	
2	DJ-4	08X35C14	11'-11 3/4"	
2	DJ-5	08X35C14	4'-6 1/2"	
4	DJ-7	08X35C14	7 1/2"	
1	DH-3	08X35C14	10'-0"	
1	DS-1	08X35C14	5'-0"	
2	G-23	08X25Z14	3'-1"	
1	G-24	08X25Z10	20'-4 1/2"	
1	G-25	08X35C14	20'-4 1/2"	
1	G-26	08X35C14	20'-4 1/2"	
1	G-27	08X35C13	20'-4 1/2"	
1	G-28	08X35C13	20'-4 1/2"	
1	G-29	08X35C13	20'-4 1/2"	
2	G-30	08X25Z14	6'-8"	
1	G-31	08X25Z14	19'-2 1/2"	
1	G-32	08X25Z14	19'-2 1/2"	
2	G-33	08X35C14	19'-2 1/2"	
1	G-34	08X35C14	19'-2 1/2"	
1	G-35	08X35C13	19'-3 1/2"	
1	G-36	08X35C13	19'-3 1/2"	
1	G-37	08X35C13	19'-3 1/2"	
2	JB-1	08X35C14	4'-11 1/2"	
2	JB-2	08X35C14	2'-10 1/2"	
2	JB-3	08X35C14	4'-8"	

CONNECTION PLATES FRAME LINE A		
ID	QUAN	MARK/PART
3	2	PFS2

**TOWER STEEL BUILDINGS**

LP BUILDING - PORT PERRY  
60'-6" x 42'-3" x 25'-6"  
DATE: 8/17/22 REVISION: 0  
ENG: MQZ DWN: BJC APPD: AJR

**F.O. 26320**

REV.	DESCRIPTION	DATE

**DRAWING STATUS**

FOR APPROVAL: THESE DRAWINGS, BEING FOR APPROVAL, ARE BY DEFINITION NOT FINAL, AND ARE FOR CONCEPTUAL REPRESENTATION ONLY. THEIR PURPOSE IS TO CONFIRM PROPER INTERPRETATION OF THE PROJECT DOCUMENTS. ONLY DRAWINGS ISSUED "FOR CONSTRUCTION" CAN BE CONSIDERED AS COMPLETE.

FOR PERMIT: THESE DRAWINGS, BEING FOR PERMIT, ARE BY DEFINITION NOT FINAL. ONLY DRAWINGS ISSUED "FOR CONSTRUCTION" CAN BE CONSIDERED AS COMPLETE.

FOR CONSTRUCTION: FINAL DRAWINGS.

LICENSED PROFESSIONAL ENGINEER  
M. ZHU  
100184641  
PROVINCE OF ONTARIO

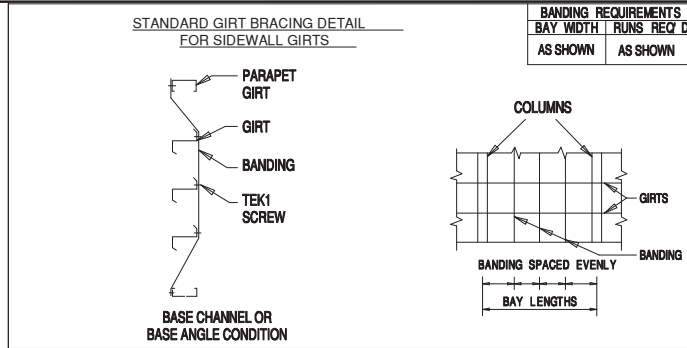
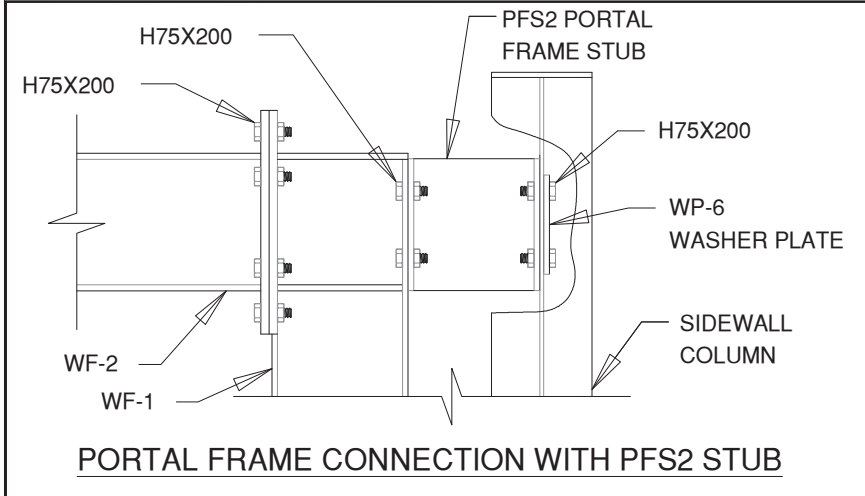
**GENERAL NOTES:**

- Use TEK5WW screws in place of SD150 panel screws at all 10 gage members.
- All connections to door or window jambs where the clip is not designated in the clip table / drawing are made with JC# clips (#= Girt Depth).

**DRAWING IS NOT TO SCALE**

TRIM COLORS			
EAVE TRIM	= By Others	CORNER TRIM	= By Others
BASE TRIM	= By Others	GUTTER	= By Others
DOOR TRIM	= By Others	DOWNSPOUTS	= By Others
RAKE TRIM	= By Others		
* LINER TRIM	= Liner panel color		
* SOFFIT TRIM	= Soffit panel color		

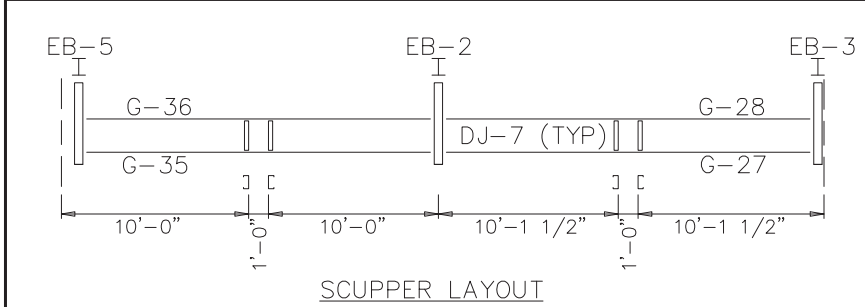
\* ONLY APPLICABLE IF LINER TRIM OR SOFFIT PANEL IS INDICATED ON BUILDING ORDER.



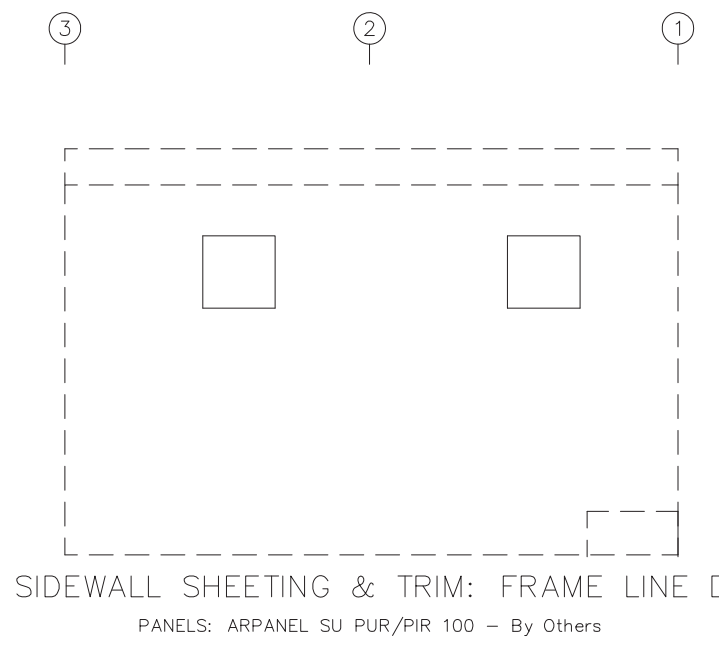
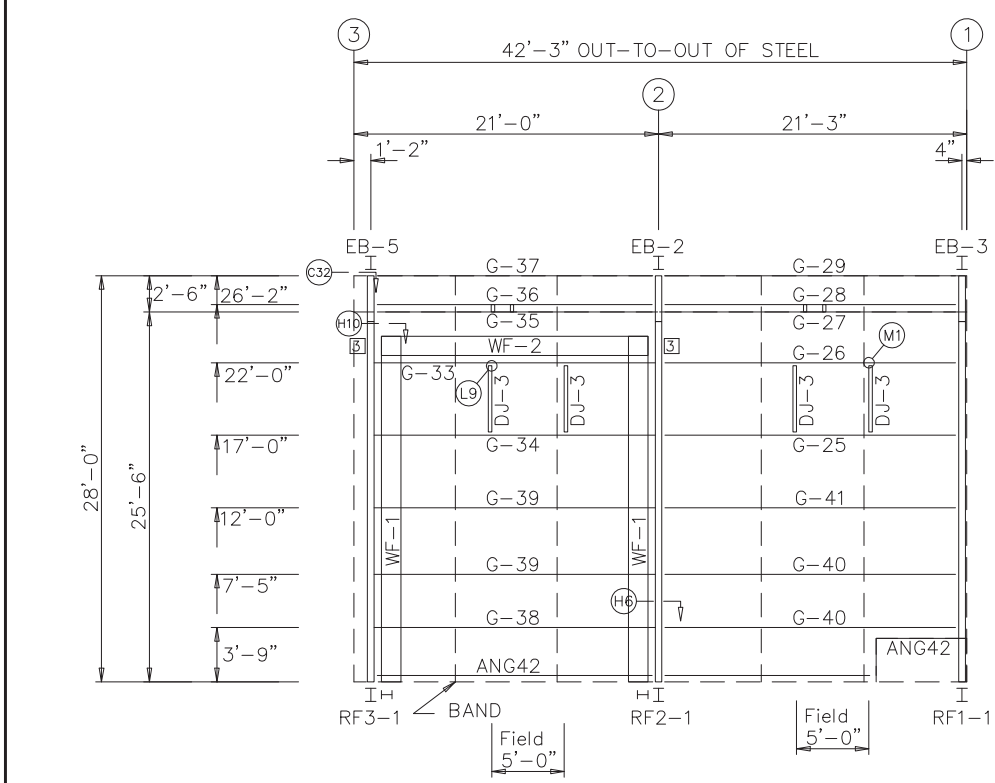
BANDING REQUIREMENTS			
BAY WIDTH	RUNS	REQ	D
AS SHOWN	AS SHOWN		

BOLT TABLE				
FRAME LINE D				
LOCATION	QUAN	TYPE	DIA	LENGTH
EB-2	6	A325	1/2"	1 1/4"
EB-3	6	A325	1/2"	1 1/4"
EB-5	6	A325	1/2"	1 1/4"

MEMBER TABLE				
FRAME LINE D				
QUAN	MARK	PART	LENGTH	
2	WF-1	W1610084	24'-4"	
1	WF-2	W1612084	15'-9 1/2"	
1	EB-2	W8X18	3'-4"	
1	EB-3	W8X18	3'-4"	
1	EB-5	W8X18	3'-4"	
4	DJ-3	08X35C14	4'-11 1/2"	
4	DJ-7	08X35C14	7 1/2"	
1	G-25	08X35C14	20'-4 1/2"	
1	G-26	08X35C14	20'-4 1/2"	
1	G-27	08X35C13	20'-4 1/2"	
1	G-28	08X35C13	20'-4 1/2"	
1	G-29	08X35C13	20'-4 1/2"	
1	G-33	08X35C14	19'-2 1/2"	
1	G-34	08X35C14	19'-2 1/2"	
1	G-35	08X35C13	19'-3 1/2"	
1	G-36	08X35C13	19'-3 1/2"	
1	G-37	08X35C13	19'-3 1/2"	
1	G-38	08X25Z14	19'-2 1/2"	
2	G-39	08X25Z14	19'-2 1/2"	
2	G-40	08X25Z14	20'-4 1/2"	
1	G-41	08X25Z13	20'-4 1/2"	



CONNECTION PLATES		
FRAME LINE D		
ID	QUAN	MARK/PART
3	2	PFS2



**LP BUILDING - PORT PERRY**  
60'-6" x 42'-3" x 25'-6"  
DATE: 8/17/22 REVISION: 0  
ENG: MQZ DWN: BJC APPD: AJR

**F.O. 26320**

REVISION HISTORY	
REV.	DESCRIPTION

DRAWING STATUS	
<input type="checkbox"/>	FOR APPROVAL: THESE DRAWINGS, BEING FOR APPROVAL, ARE BY DEFINITION NOT FINAL, AND ARE FOR CONCEPTUAL REPRESENTATION ONLY. THEIR PURPOSE IS TO CONFIRM PROPER INTERPRETATION OF THE PROJECT DOCUMENTS. ONLY DRAWINGS ISSUED "FOR CONSTRUCTION" CAN BE CONSIDERED AS COMPLETE.
<input checked="" type="checkbox"/>	FOR PERMIT: THESE DRAWINGS, BEING FOR PERMIT, ARE BY DEFINITION NOT FINAL. ONLY DRAWINGS ISSUED "FOR CONSTRUCTION" CAN BE CONSIDERED AS COMPLETE.
<input type="checkbox"/>	FOR CONSTRUCTION: FINAL DRAWINGS.



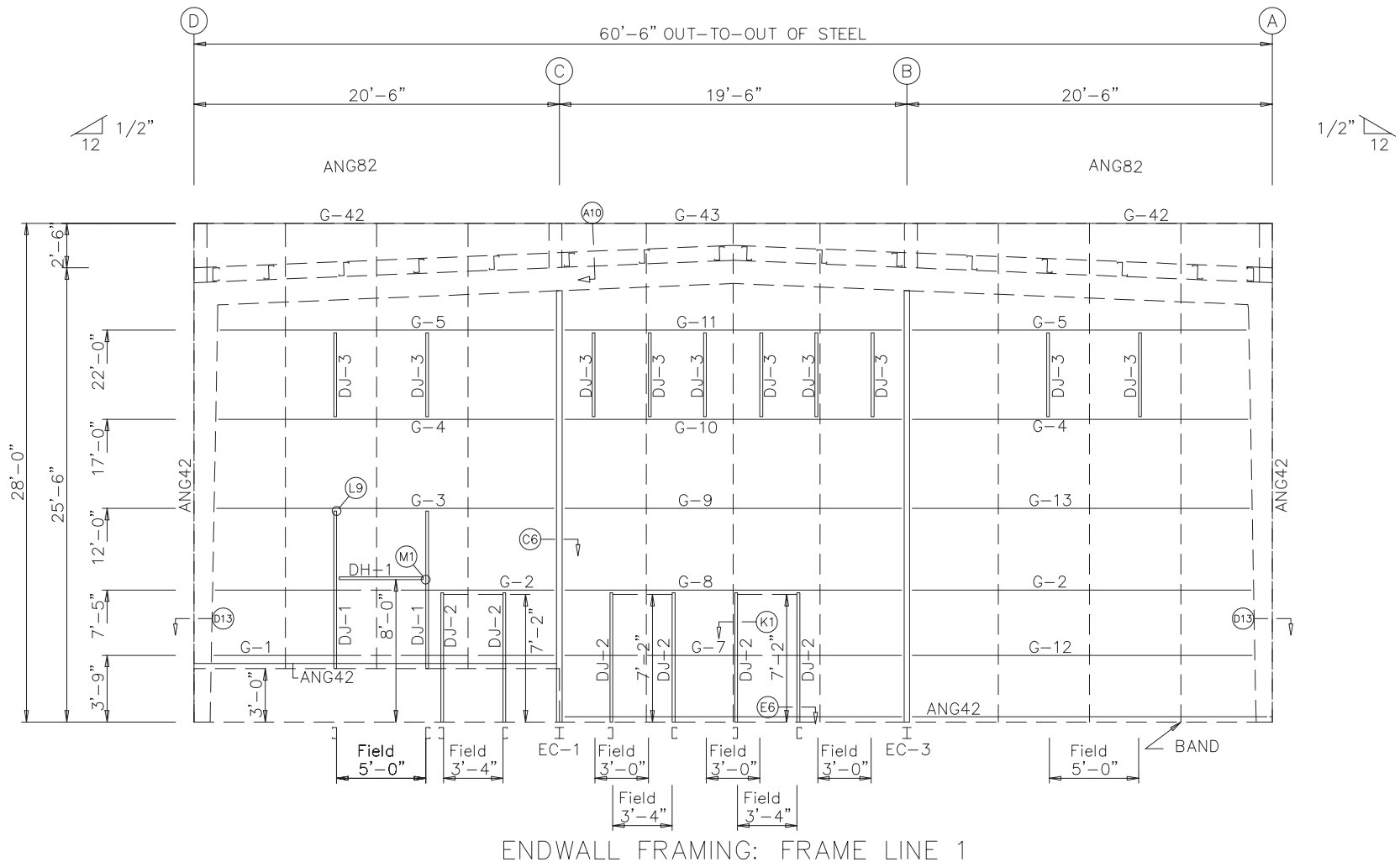
08/31/2022

**DRAWING IS NOT TO SCALE**

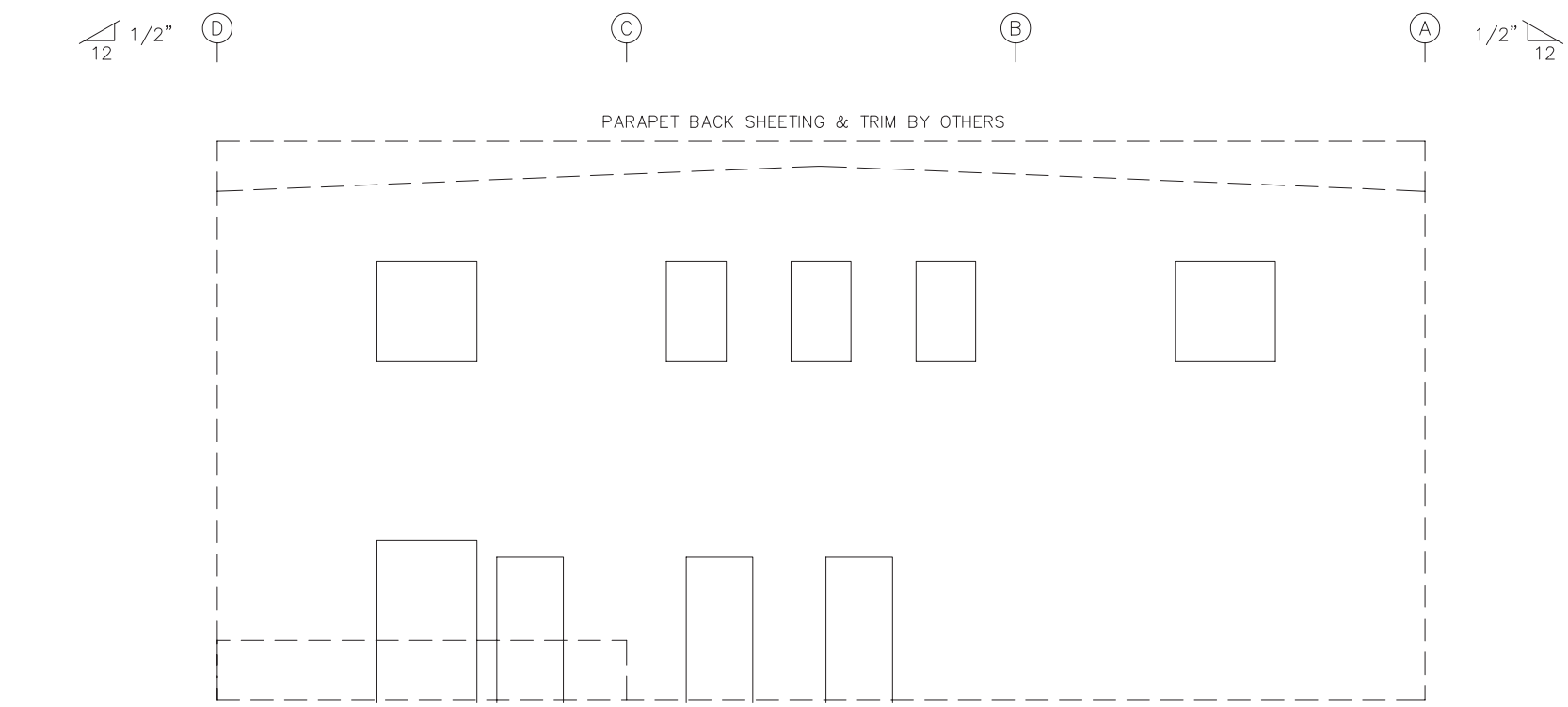
TRIM COLORS			
EAVE TRIM	= By Others	CORNER TRIM	= By Others
BASE TRIM	= By Others	GUTTER	= By Others
DOOR TRIM	= By Others	DOWNSPOUTS	= By Others
RAKE TRIM	= By Others		
* LINER TRIM	= Liner panel color		
* SOFFIT TRIM	= Soffit panel color		
* ONLY APPLICABLE IF LINER TRIM OR SOFFIT PANEL IS INDICATED ON BUILDING ORDER.			

**GENERAL NOTES:**

- Use TEK5WW screws in place of SD150 panel screws at all 10 gage members.
- All connections to door or window jambs where the clip is not designated in the clip table / drawing are made with JC# clips (#= Girt Depth).



ENDWALL FRAMING: FRAME LINE 1



ENDWALL SHEETING & TRIM: FRAME LINE 1

PANELS: ARPANEL SU PUR/PIR 100 - By Others

GENERAL NOTES:

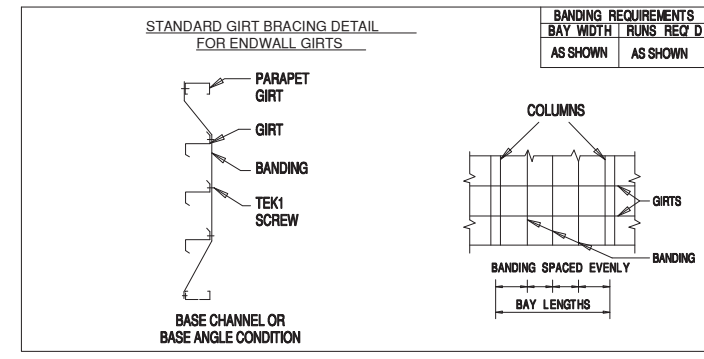
1. Use TEK5WW screws in place of SD150 panel screws at all 10 gage members.
2. See detail C7A for field coping of coldform endwall column flange braces.
3. All connections to door or window jambs where the clip is not designated in the clip table / drawing are made with JC# clips (#= Girt Depth).

MEMBER TABLE			
FRAME LINE 1			
QUAN	MARK	PART	LENGTH
1	EC-1	W10X12	24'-2 11/16"
1	EC-3	W10X12	24'-2 11/16"
2	DJ-1	08X35C14	8'-11 3/4"
6	DJ-2	08X35C14	7'-4 3/4"
10	DJ-3	08X35C14	4'-11 1/2"
1	DH-1	08X35C14	5'-0"
1	G-1	08X25Z14	19'-3 13/16"
2	G-2	08X25Z14	19'-3"
1	G-3	08X25Z10	19'-1 15/16"
2	G-4	08X35C14	19'-0 7/8"
2	G-5	08X35C14	18'-11 3/4"
1	G-7	08X25Z14	19'-1 1/2"
1	G-8	08X25Z13	19'-1 1/2"
1	G-9	08X25Z14	19'-1 1/2"
1	G-10	08X35C14	19'-1 1/2"
1	G-11	08X35C14	19'-1 1/2"
1	G-12	08X25Z14	19'-3 13/16"
1	G-13	08X25Z13	19'-1 15/16"
2	G-42	08X35C13	19'-4 5/16"
1	G-43	08X35C13	18'-11 7/16"



**TOWER STEEL BUILDINGS**  
 LP BUILDING - PORT PERRY  
 60'-6" x 42'-3" x 25'-6"  
 DATE: 8/17/22 REVISION: 0  
 ENG: MQZ DWN: BJC APPD: AJR

F.O. 26320



DRAWING IS NOT TO SCALE

TRIM COLORS	
EAVE TRIM = By Others	CORNER TRIM = By Others
BASE TRIM = By Others	GUTTER = By Others
DOOR TRIM = By Others	DOWNSPOUTS = By Others
RAKE TRIM = By Others	
* LINER TRIM = Liner panel color	
* SOFFIT TRIM = Soffit panel color	
* ONLY APPLICABLE IF LINER TRIM OR SOFFIT PANEL IS INDICATED ON BUILDING ORDER.	

**LP BUILDING - PORT PERRY**

REV.	DESCRIPTION	DATE

**DRAWING STATUS**

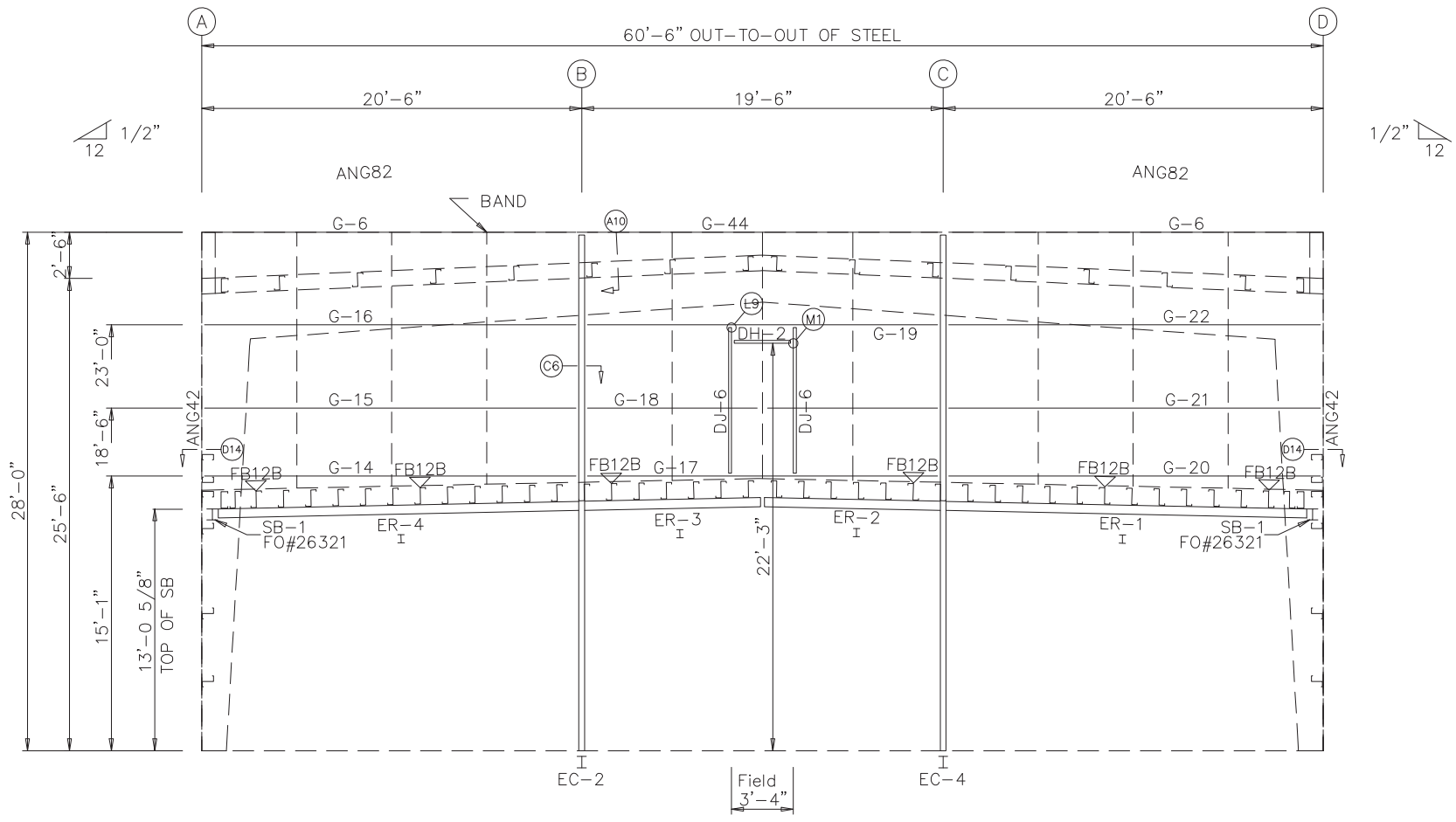
FOR APPROVAL: THESE DRAWINGS, BEING FOR APPROVAL, ARE BY DEFINITION NOT FINAL, AND ARE FOR CONCEPTUAL REPRESENTATION ONLY. THEIR PURPOSE IS TO CONFIRM PROPER INTERPRETATION OF THE PROJECT DOCUMENTS. ONLY DRAWINGS ISSUED "FOR CONSTRUCTION" CAN BE CONSIDERED AS COMPLETE.

FOR PERMIT: THESE DRAWINGS, BEING FOR PERMIT, ARE BY DEFINITION NOT FINAL. ONLY DRAWINGS ISSUED "FOR CONSTRUCTION" CAN BE CONSIDERED AS COMPLETE.

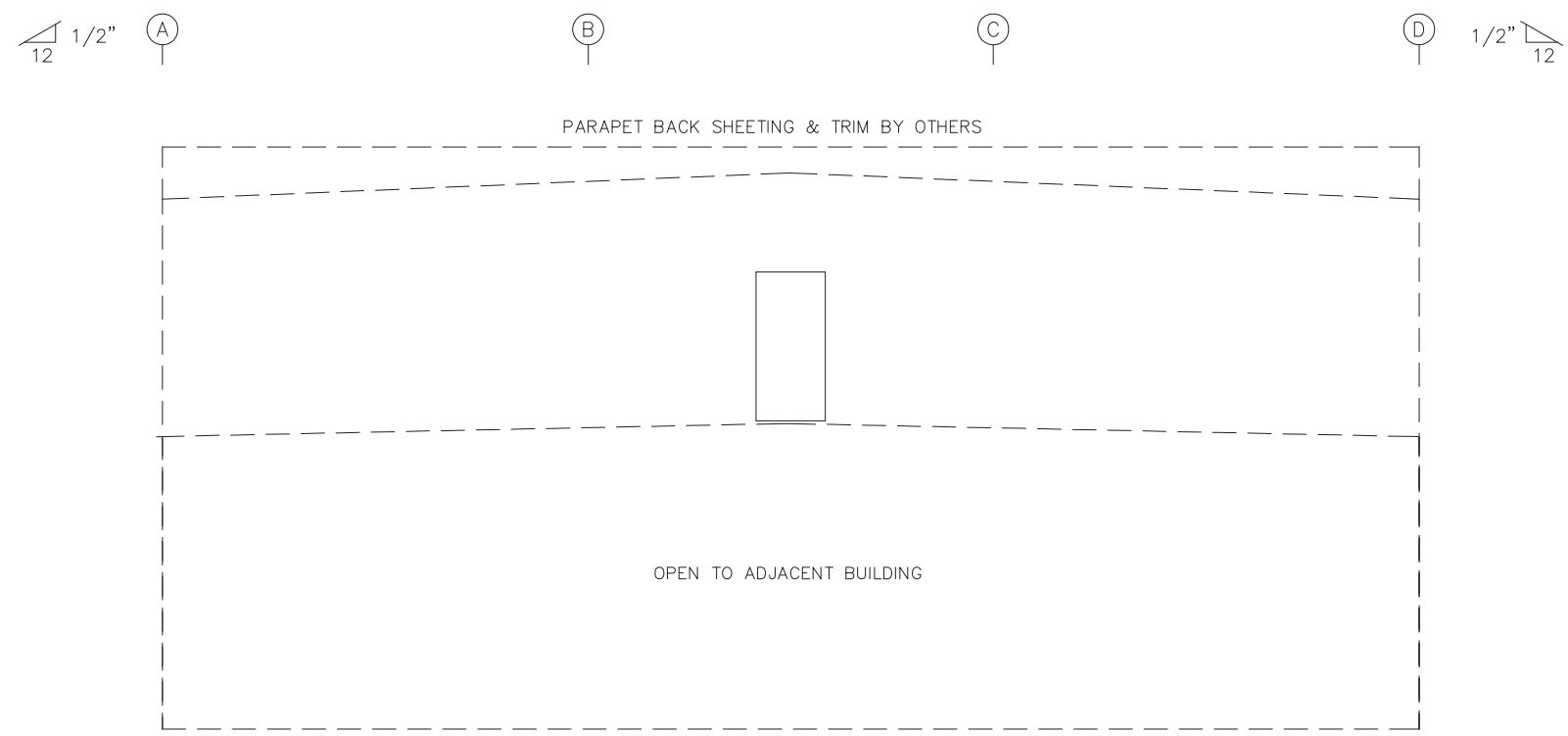
FOR CONSTRUCTION: FINAL DRAWINGS.



08/31/2022



ENDWALL FRAMING: FRAME LINE 3



ENDWALL SHEETING & TRIM: FRAME LINE 3

PANELS: ARPANEL SU PUR/PIR 100 - By Others

GENERAL NOTES:

1. Use TEK5WW screws in place of SD150 panel screws at all 10 gage members.
2. See detail C7A for field coping of coldform endwall column flange braces.
3. All connections to door or window jambs where the clip is not designated in the clip table / drawing are made with JC# clips (#= Girt Depth).

BOLT TABLE  
FRAME LINE 3

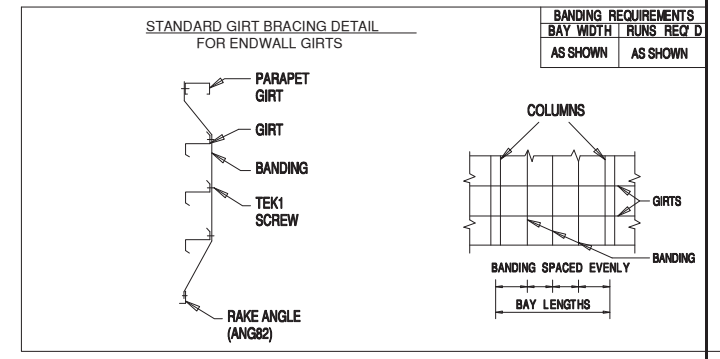
LOCATION	QUAN	TYPE	DIA	LENGTH
Columns/Raf	2	A325	3/4"	1 3/4"
ER/SB,EC	2	A325	3/4"	1 3/4"
ER-2/ER-3	8	A325	3/4"	2 1/4"

MEMBER TABLE  
FRAME LINE 3

QUAN	MARK	PART	LENGTH
1	EC-2	W10X22	28'-0"
1	EC-4	W10X22	28'-0"
1	ER-1	W12X26	19'-5 11/16"
1	ER-2	W12X26	9'-8 3/8"
1	ER-3	W12X26	9'-8 3/8"
1	ER-4	W12X26	19'-5 11/16"
2	DJ-6	08X35C14	7'-10 1/2"
1	DH-2	08X35C14	3'-4"
2	G-6	08X35C13	20'-2 1/2"
1	G-14	08X25Z14	19'-6 1/2"
1	G-15	08X25Z14	20'-2 1/2"
1	G-16	08X25Z13	20'-2 1/2"
1	G-17	08X35C14	18'-11 1/2"
1	G-18	08X25Z14	18'-11 1/2"
1	G-19	08X25Z13	18'-11 1/2"
1	G-20	08X25Z14	19'-6 1/2"
1	G-21	08X25Z14	20'-2 1/2"
1	G-22	08X25Z13	20'-2 1/2"
1	G-44	08X35C13	18'-11 1/2"

FLANGE BRACE TABLE  
FRAME LINE 3

VID	MARK	LENGTH
1	FB12B	1'-6 5/8"



DRAWING IS NOT TO SCALE

TRIM COLORS

EAVE TRIM = By Others	CORNER TRIM = By Others
BASE TRIM = By Others	GUTTER = By Others
DOOR TRIM = By Others	DOWNSPOUTS = By Others
RAKE TRIM = By Others	
* LINER TRIM = Liner panel color	
* SOFFIT TRIM = Soffit panel color	

\* ONLY APPLICABLE IF LINER TRIM OR SOFFIT PANEL IS INDICATED ON BUILDING ORDER.



LP BUILDING - PORT PERRY  
60'-6" x 42'-3" x 25'-6"  
DATE: 8/17/22 REVISION: 0  
ENG: MQZ DWN: BJC APPD: AJR

F.O. 26320

REVISION HISTORY

REV.	DESCRIPTION	DATE

DRAWING STATUS

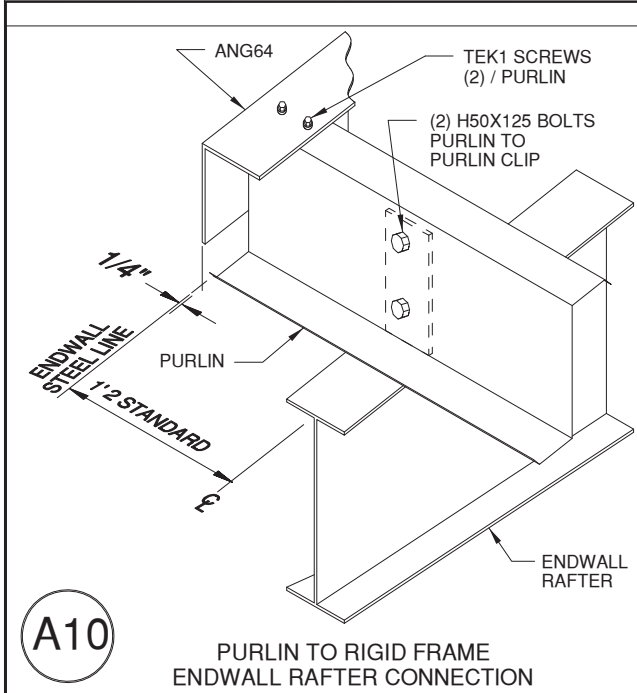
FOR APPROVAL: THESE DRAWINGS, BEING FOR APPROVAL, ARE BY DEFINITION NOT FINAL, AND ARE FOR CONCEPTUAL REPRESENTATION ONLY. THEIR PURPOSE IS TO CONFIRM PROPER INTERPRETATION OF THE PROJECT DOCUMENTS. ONLY DRAWINGS ISSUED "FOR CONSTRUCTION" CAN BE CONSIDERED AS COMPLETE.

FOR PERMIT: THESE DRAWINGS, BEING FOR PERMIT, ARE BY DEFINITION NOT FINAL. ONLY DRAWINGS ISSUED "FOR CONSTRUCTION" CAN BE CONSIDERED AS COMPLETE.

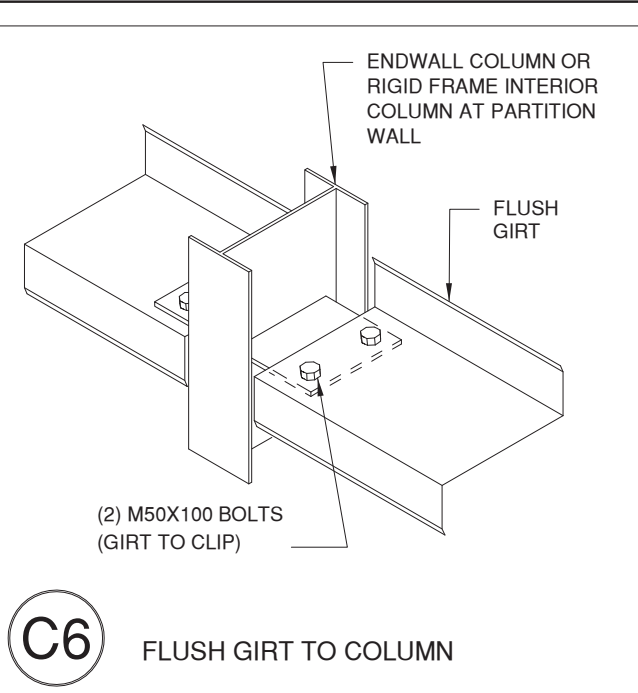
FOR CONSTRUCTION: FINAL DRAWINGS.



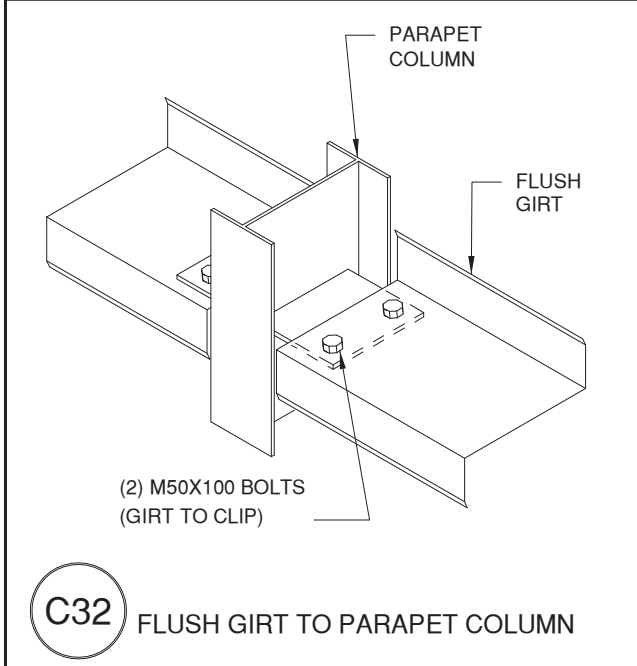
08/31/2022



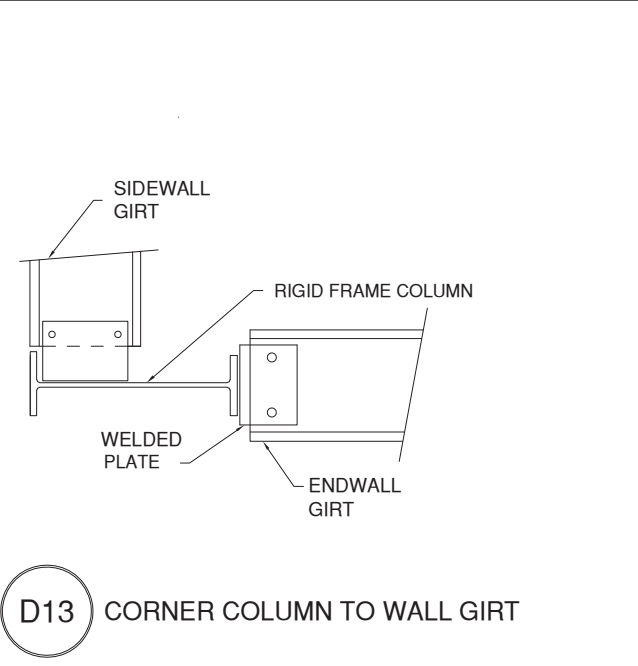
**A10** PURLIN TO RIGID FRAME ENDWALL RAFTER CONNECTION



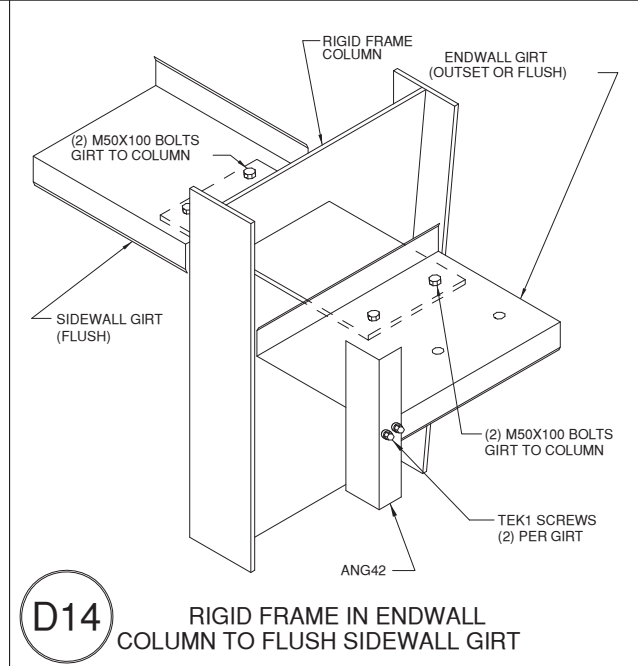
**C6** FLUSH GIRTS TO COLUMN



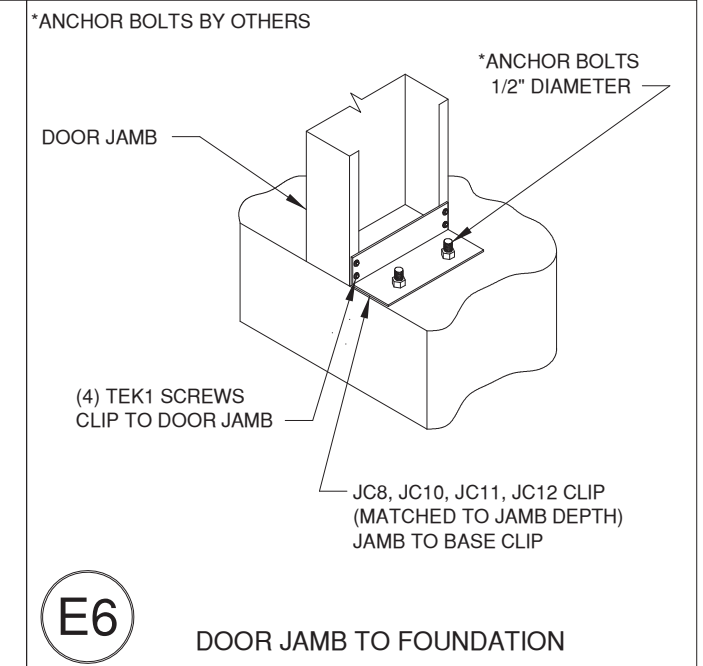
**C32** FLUSH GIRTS TO PARAPET COLUMN



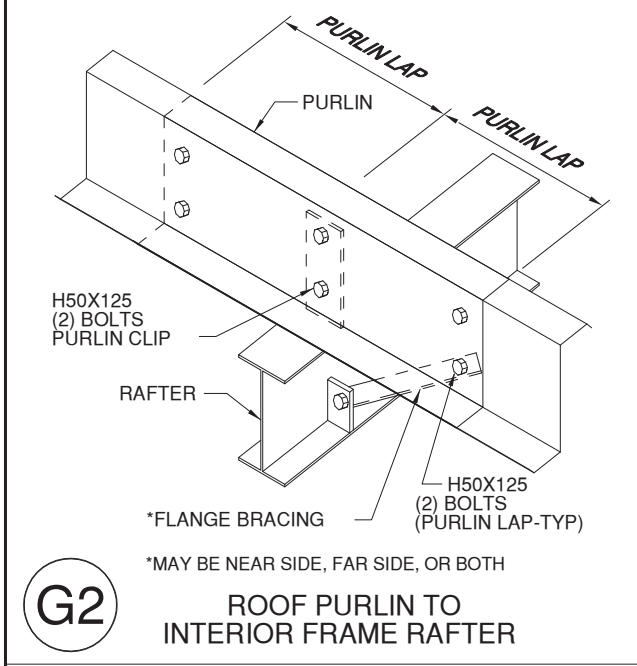
**D13** CORNER COLUMN TO WALL GIRTS



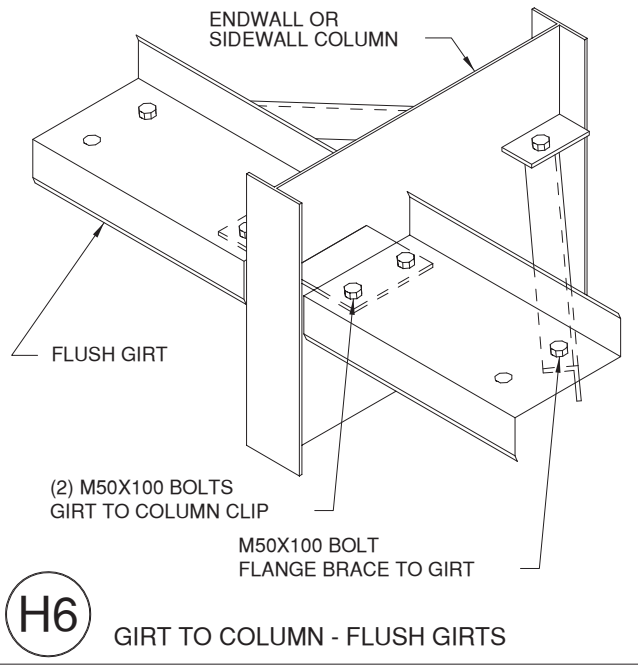
**D14** RIGID FRAME IN ENDWALL COLUMN TO FLUSH SIDEWALL GIRTS



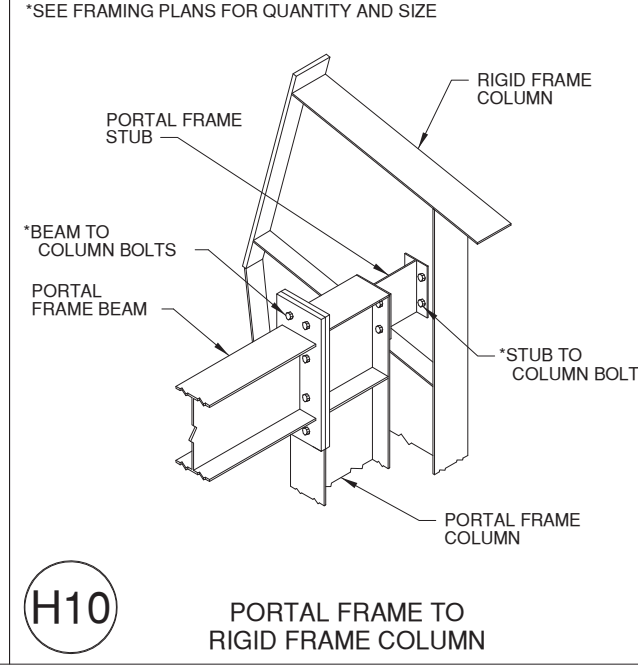
**E6** DOOR JAMB TO FOUNDATION



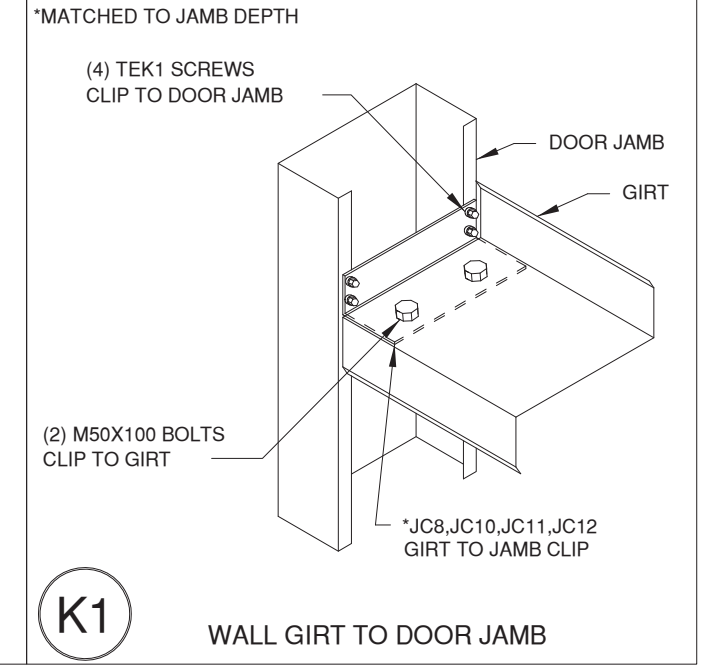
**G2** ROOF PURLIN TO INTERIOR FRAME RAFTER



**H6** GIRTS TO COLUMN - FLUSH GIRTS



**H10** PORTAL FRAME TO RIGID FRAME COLUMN



**K1** WALL GIRTS TO DOOR JAMB



LP BUILDING - PORT PERRY  
 60'-6" x 42'-3" x 25'-6"  
 DATE: 8/17/22 REVISION: 0  
 ENG: MQZ DWN: BJC APPD: AJR

F.O. 26320

DRAWING STATUS		REVISION HISTORY	
REV.	DESCRIPTION	REV.	DESCRIPTION

FOR APPROVAL: THESE DRAWINGS, BEING FOR APPROVAL, ARE BY DEFINITION NOT FINAL, AND ARE FOR CONCEPTUAL REPRESENTATION ONLY. THEIR PURPOSE IS TO CONFIRM PROPER INTERPRETATION OF THE PROJECT DOCUMENTS. ONLY DRAWINGS ISSUED "FOR CONSTRUCTION" CAN BE CONSIDERED AS COMPLETE.

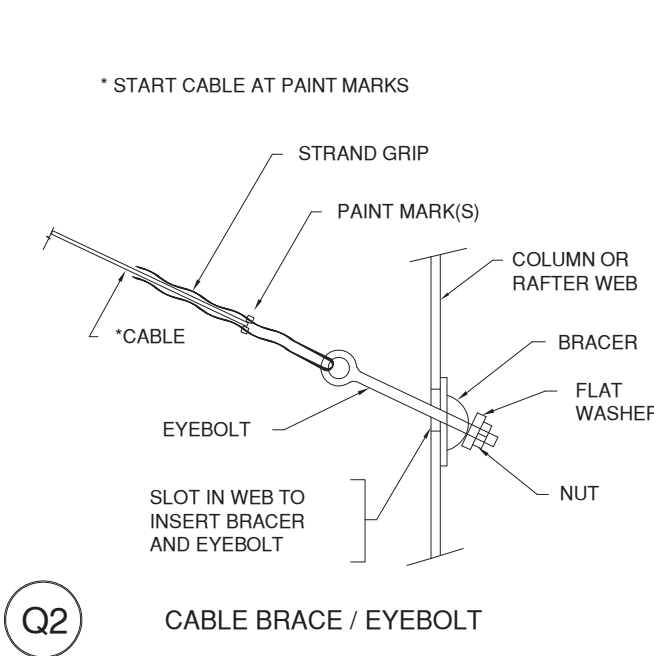
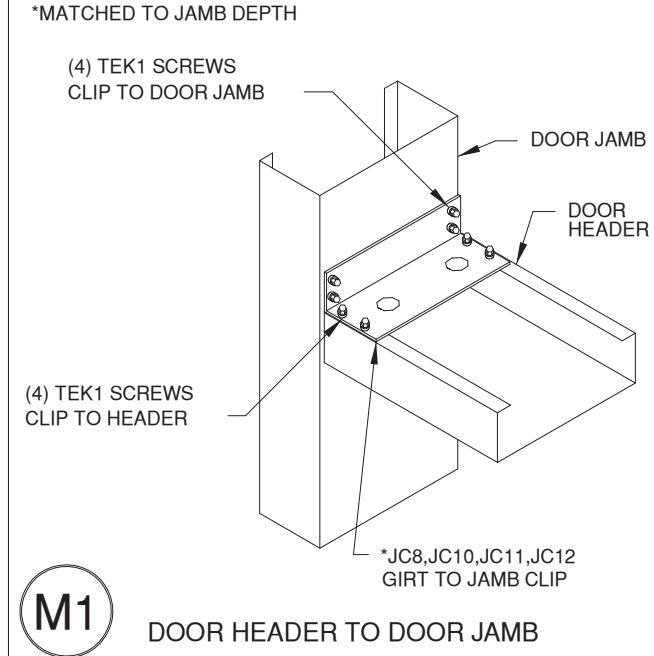
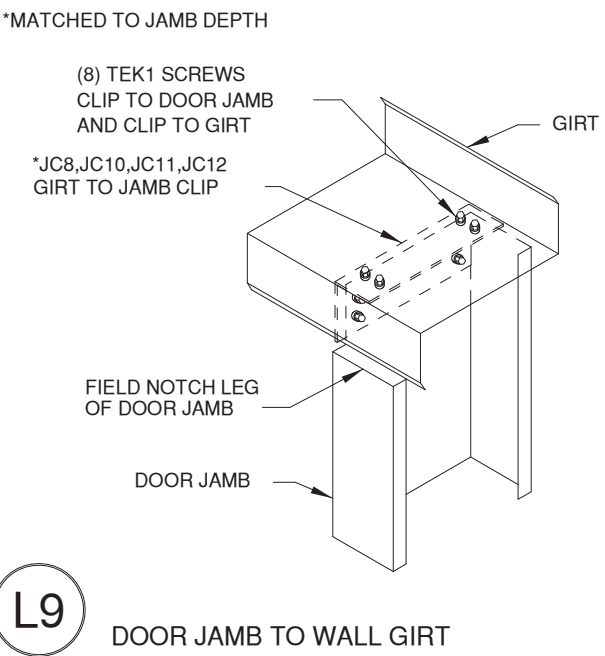
FOR PERMIT: THESE DRAWINGS, BEING FOR PERMIT, ARE BY DEFINITION NOT FINAL. ONLY DRAWINGS ISSUED "FOR CONSTRUCTION" CAN BE CONSIDERED AS COMPLETE.

FOR CONSTRUCTION: FINAL DRAWINGS.



08/31/2022

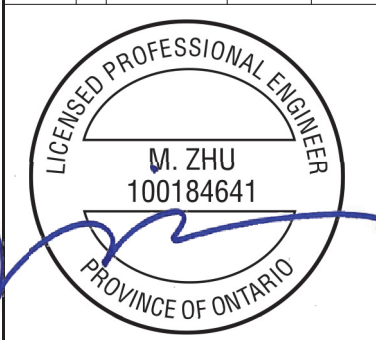




LP BUILDING - PORT PERRY  
60'-6" x 42'-3" x 25'-6"  
DATE: 8/17/22 REVISION: 0  
ENG: MQZ DWN: BJC APPD: AJR

F.O. 26320

DRAWING STATUS		REVISION HISTORY	
REV.	DESCRIPTION	REV.	DATE
<input type="checkbox"/>	FOR APPROVAL: THESE DRAWINGS, BEING FOR APPROVAL, ARE BY DEFINITION NOT FINAL, AND ARE FOR CONCEPTUAL REPRESENTATION ONLY. THEIR PURPOSE IS TO CONFIRM PROPER INTERPRETATION OF THE PROJECT DOCUMENTS. ONLY DRAWINGS ISSUED "FOR CONSTRUCTION" CAN BE CONSIDERED AS COMPLETE.		
<input checked="" type="checkbox"/>	FOR PERMIT: THESE DRAWINGS, BEING FOR PERMIT, ARE BY DEFINITION NOT FINAL. ONLY DRAWINGS ISSUED "FOR CONSTRUCTION" CAN BE CONSIDERED AS COMPLETE.		
<input type="checkbox"/>	FOR CONSTRUCTION: FINAL DRAWINGS.		



08/31/2022