



PROJECT: NEW TWO STOREY RESIDENTIAL BUILDING:
CANNINGTON AFFORDABLE HOUSING FOR SENIORS
100 McKay Street, Cannington, Ontario

PROJECT NO: 16-16

SUBJECT: RFI NO: 11

DATE: August 21, 2018

Area/Description/Subject:

Landscape Architectural

Reference Drawings/Specification No:

Landscape Architectural drawings and specifications

Information Requested:

1. Detail 4/D1 states 1.2m. x 1.2m. Trystan TU-48 Tree Grates - Trystan is no longer in business.
Should a propose another 1.2m. x 1.2m. tree grate? - there are 5 tree grates.
2. The Lawn Bowling areas are undefined as per detail 8/D1
3. The vegetable gardens are undefined as per detail 12/D2 - should I assume 2 large perennial beds of 350mm soil for the vegetable gardens? - or should the beds have 450mm soil as per the shrub beds? Should I include mulch in the vegetable gardens - the detail shows timbers - this is undefined - where are the timbers?
4. The D1 notes states 15cu.m. topsoil per tree - trees generally get only 1.2cu.m. topsoil per tree - we will quote 15cu.m. soil per tree as per notes.
5. See attached drawings - I will assume 2,300sq.m. sod, including areas damaged due to construction .
Will there be a stockpile of soil on site for the sodding? Do you have any comments regarding my attached drawings?

Response:

1. Alternate tree grate provided as per the attachment #1.
2. Lawn Bowling areas defined as per the attachments #2, #2A.
3. Vegetable Garden areas defined as per the attachemtn #3.
4. This is acceptable.
5. No, import soil for sodding. No comments on the drawings provided.

END

#1



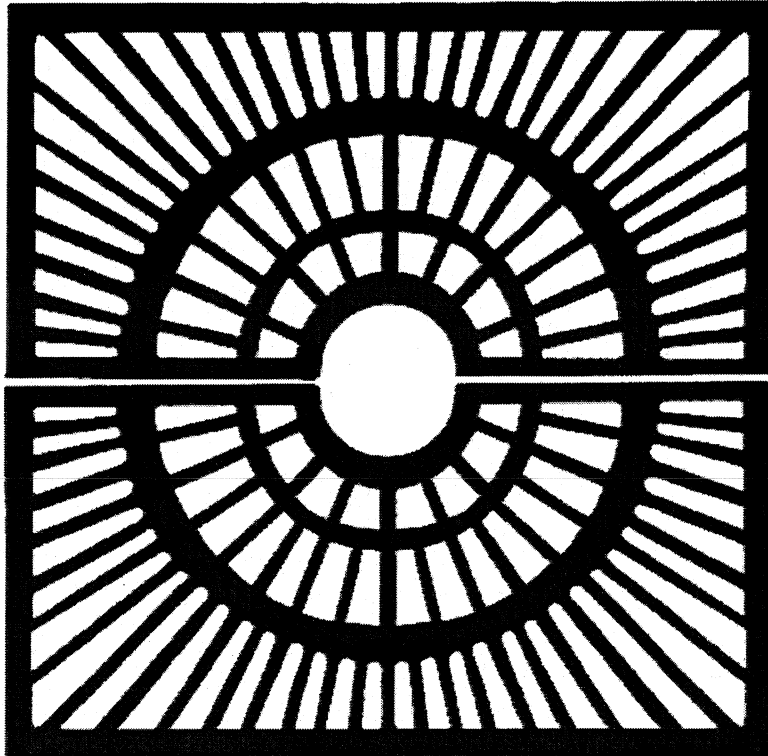
TORONTO FABRICATING & MFG. CO
quality, strength and beauty. site furnishings for all applications.

See our full lineup of
Table Bases [Click for More Info](#)

[COMPANY](#) | [CATALOGUE](#) | [FAQ](#) | [INSTALLATIONS](#) | [CONTACT](#)

B-8650

[Products](#) / [Tree Grates](#) / # B-8650 << [Back](#)



B-8650

Decorative square tree grate.
Style: #B8650.
Grey cast iron.
Size: 4ft x 4ft square
with 12" dia opening.(expandable)
Two pieces per unit.
Weight: 250lbs.

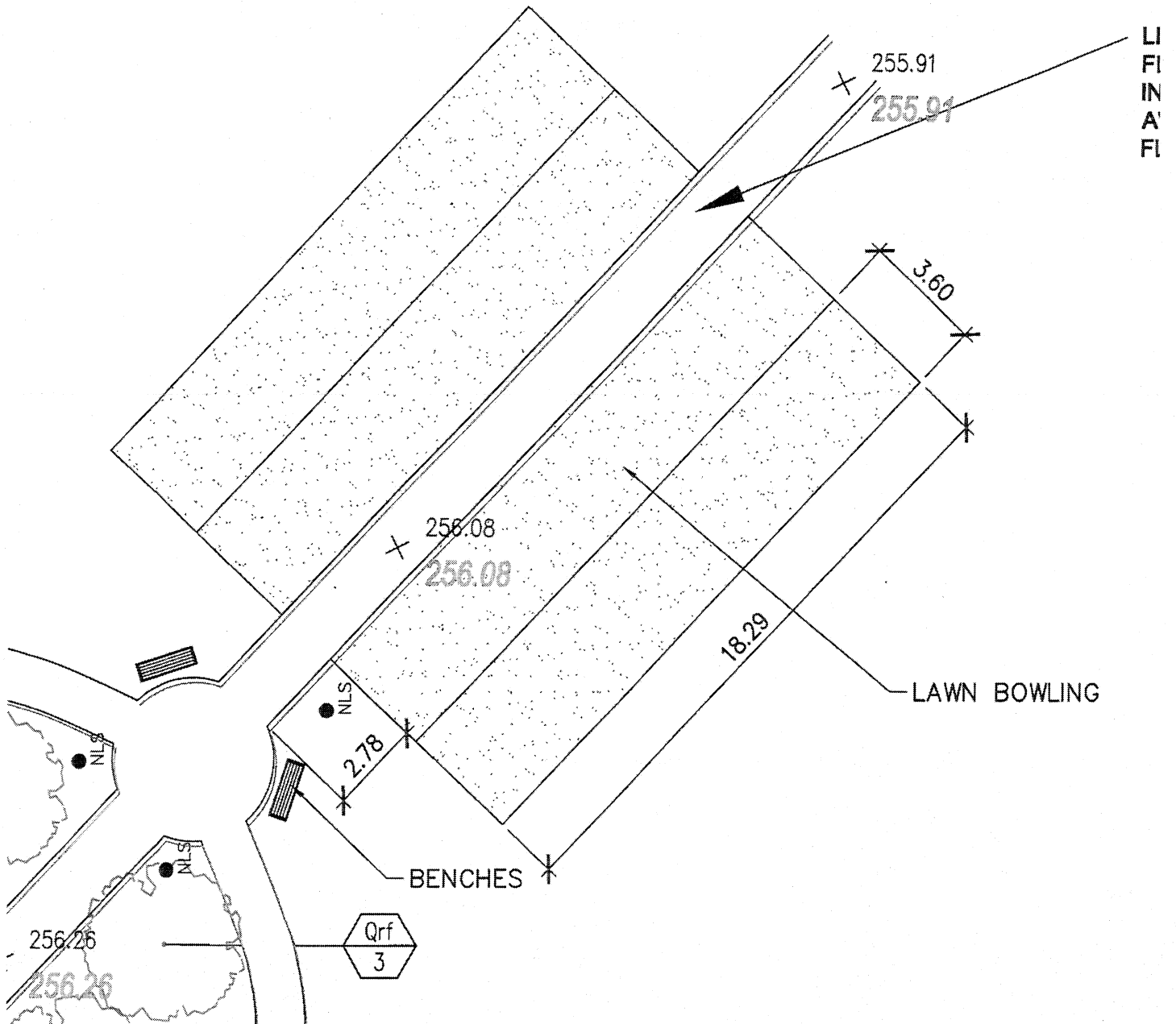
Optional:
Hot dipped galvanized
Non skid paint finish.
All standard RAL colours are available
as well specified custom colours

Optional hot dipped galvanized frame available.

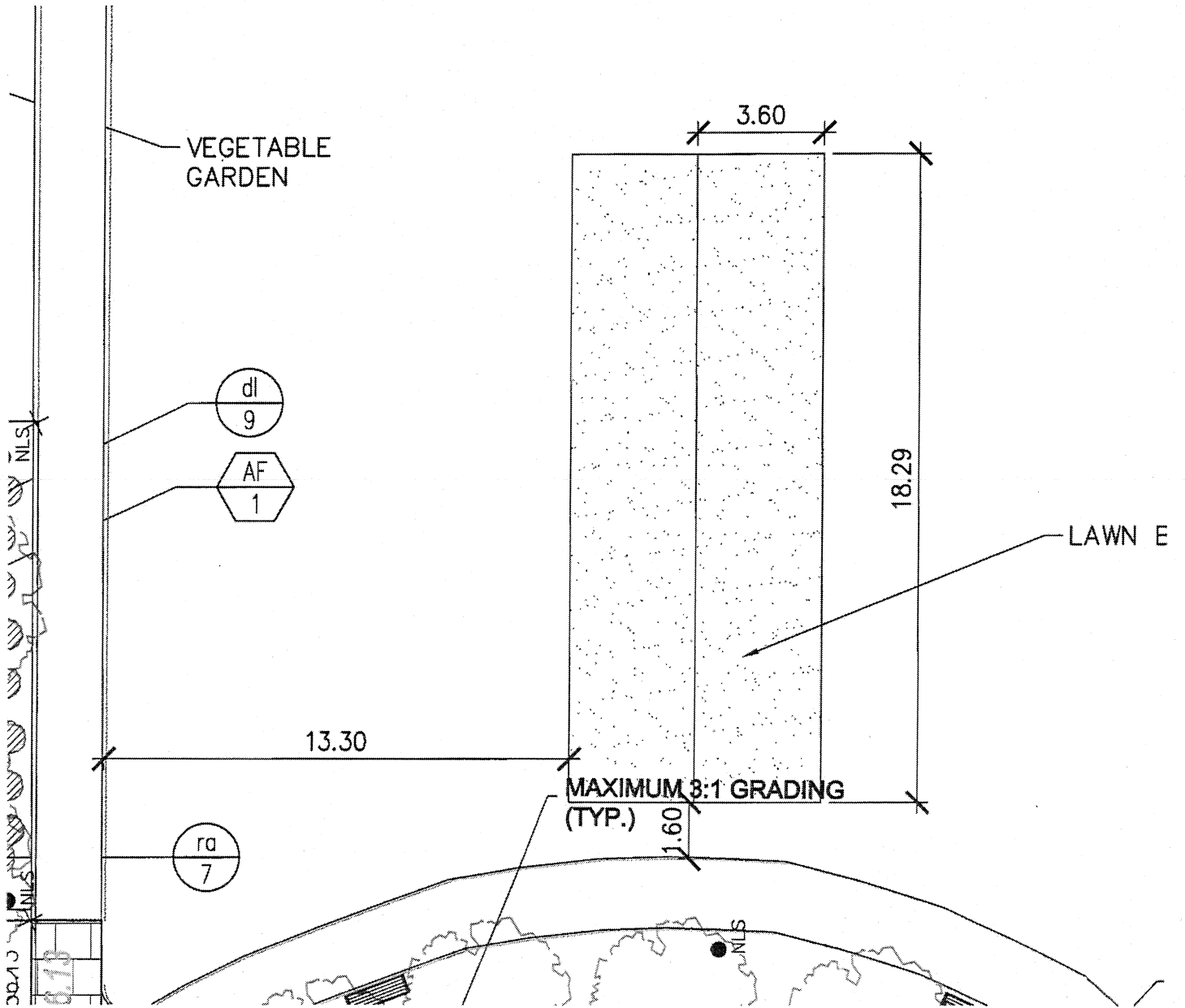
[Home](#) | [Catalogue](#) | [FAQ](#) | [Installations](#) | [Contact](#)

Copyright. 2008, TFMC. All rights reserved
Toronto Fabricating & Mfg. Co.
1021 Rangeview Rd. Mississauga, On. Ca. L5E 1H2
905 891-2516 (phone) / 905 891-7446 (fax)

#2



#2A



#3.

